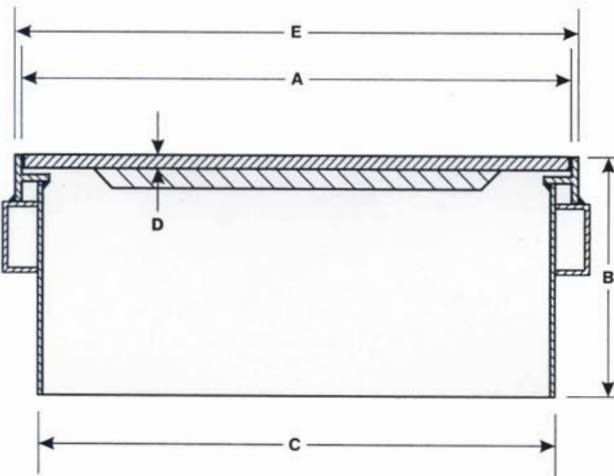
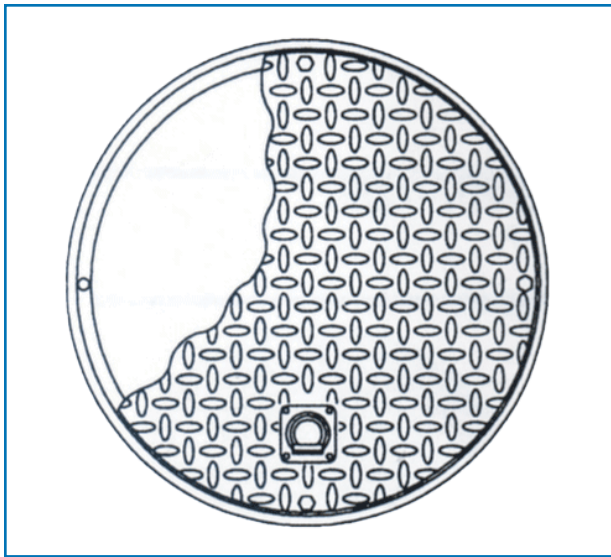


WT SERIES

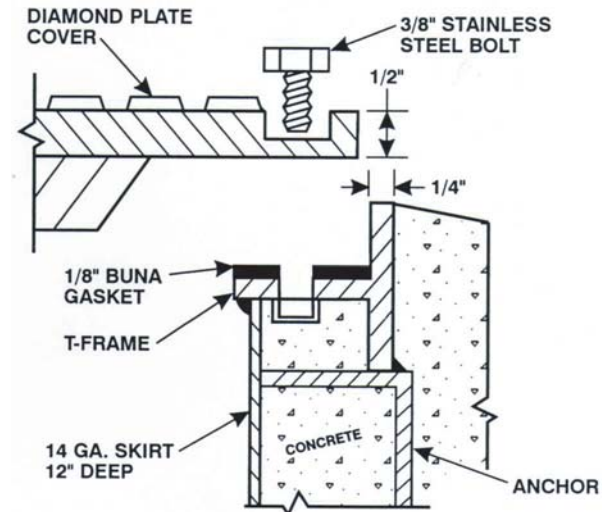
WATERTIGHT MANHOLES

STANDARD FEATURES

- REINFORCED DIAMOND PLATE STEEL COVERS WITH H-20 TRUCKLOAD RATING.
- 1/8" BUNA-N GASKET AND STAINLESS STEEL SET BOLTS.
- 14 GAUGE SKIRTS.
- RECESSED WATERTIGHT PICKING EYE(S) FOR EASY COVER REMOVAL.
- CONCRETE CHANNEL ANCHORS.
- COMPLETE WELDED STEEL CONSTRUCTION.
- ALL STEEL COATED WITH RUST PREVENTIVE PAINT.
- OPTIONAL INTERNAL ACCESS PORTS AVAILABLE. SEE OUR DUAL AND TRIPLE ACCESS SERIES MANHOLES.



SECTION AA



SOLID COVER WATERTIGHT MANHOLES

MODEL	A	B	C	D	E	F	G
18 WT	18 1/2"	12"	18 1/4"	3/8"	19 3/4"	0	2
24 WT	24"	13"	22 1/4"	3/8"	24 3/4"	1	2
30 WT	29 3/4"	13"	28 3/4"	3/8"	30 3/4"	1	4
36 WT	35 3/4"	13"	35"	3/8"	36 1/2"	2	4
380WT	38"	13"	37 1/2"	3/8"	38 1/2"	2	4
42 WT	42"	13"	41 1/2"	1/2"	43"	2	4
48 WT	48"	13"	46 1/2"	1/2"	49"	2	6

MODEL NO: WT

DWG NO: WT

WT
WATERTIGHT
SOLID COVER
MANHOLES

NOTE: A) SPECIFY 10". B) DIMENSION FOR ALL SHELL OIL APPLICATIONS.



TOWN & COUNTRY PLASTICS

Customized For Precision

10B Timber Lane, Marlboro, NJ 07746 •

(732) 780-5300 • FAX: (732) 294-0001 •

www.tandcplastics.com