

4

3

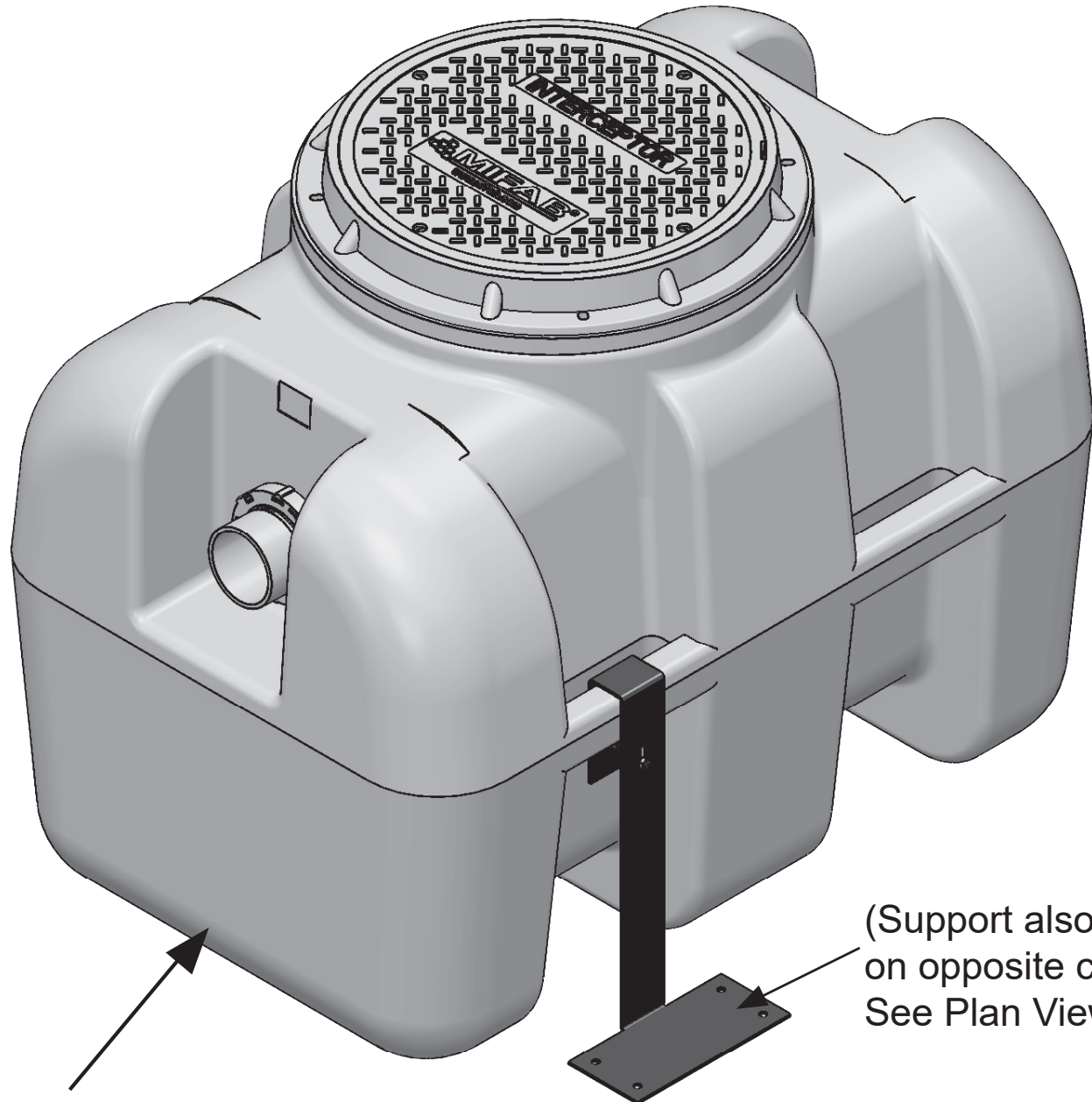
2

1

Specification: XL-75 fabricated steel, 25" high, powder epoxy coated anchor kit set.

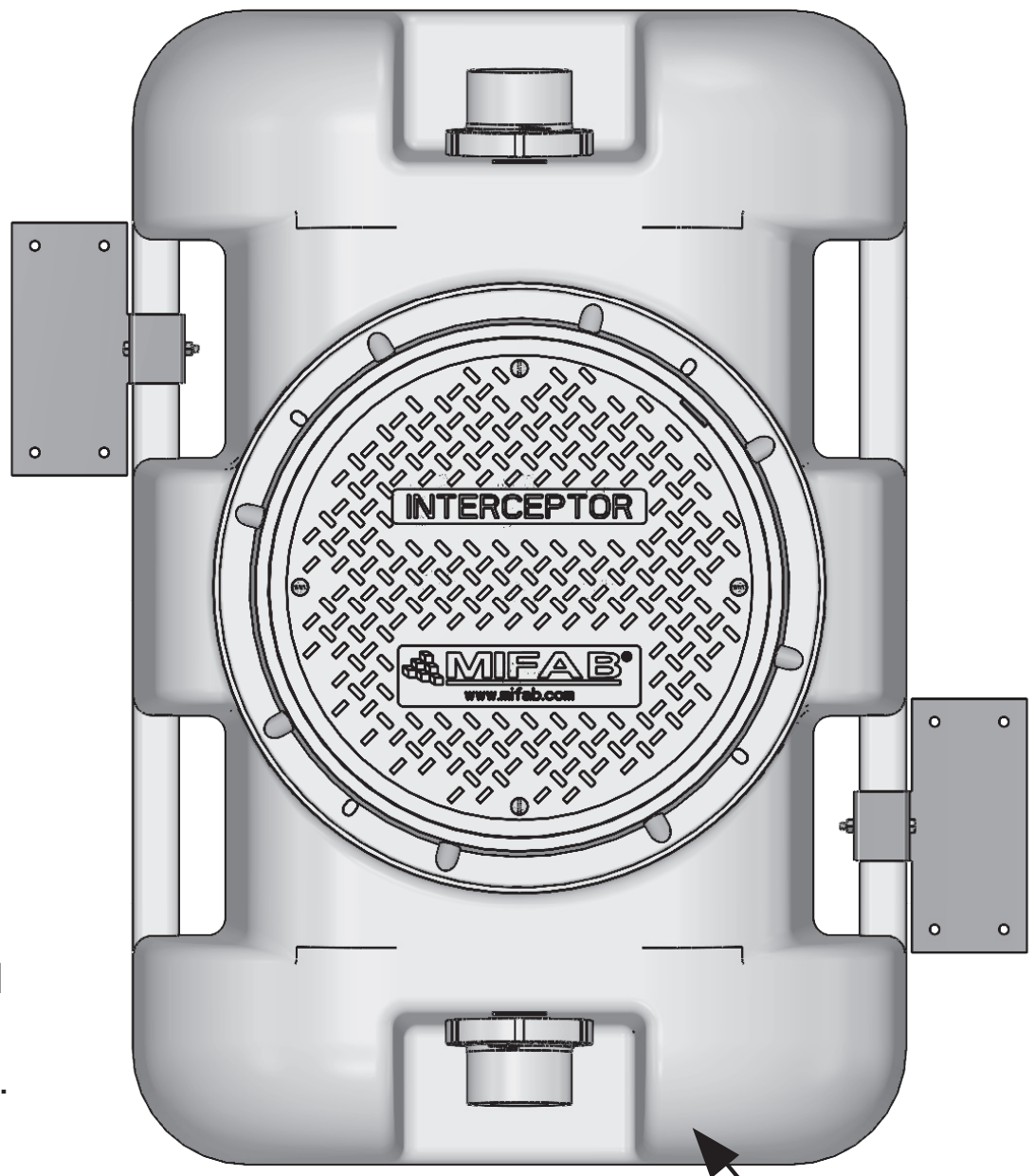
Function: Used to secure the XL-75 Series interceptors interceptor to a slab to prevent buoyancy in a high water table.

PLAN VIEW




Interceptor not included

(Support also included on opposite corner. See Plan View image).



Interceptor not included

UNLESS STATED OTHERWISE DIMENSIONS ARE IN INCHES	MATERIAL: HDPE			TITLE: XL-75 ANCHOR KITS	REV:	 T&C PLASTICS WWW.TANDCPLASTICS.COM 732-780-5300			
	WEIGHT [lb]:		NAME: DR				DATE: 07/06/2023	SHEET 1 OF 1	SIZE:
	DO NOT SCALE DRAWING		CHECKED:						
THE INFORMATION CONTAINED IN THIS DRAWING IS THE SOLE PROPERTY OF TOWN & COUNTRY PLASTICS LLC. ANY REPRODUCTION IN PART OR AS A WHOLE WITHOUT THE WRITTEN PERMISSION OF TOWN & PLASTICS LLC IS PROHIBITED.									

4

3

2

1