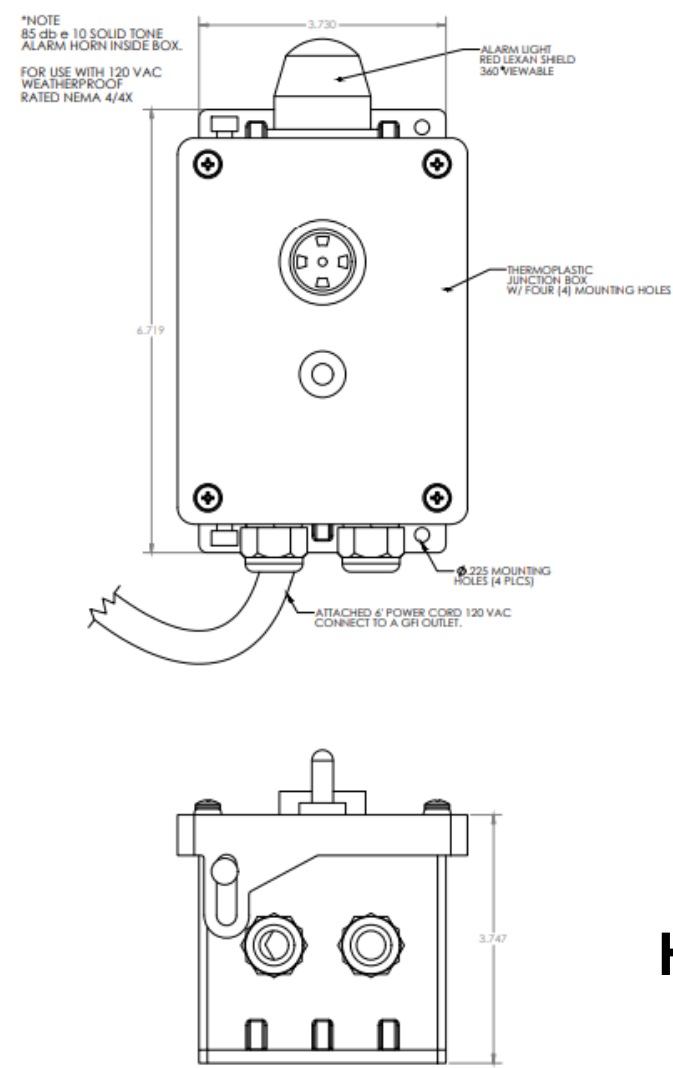
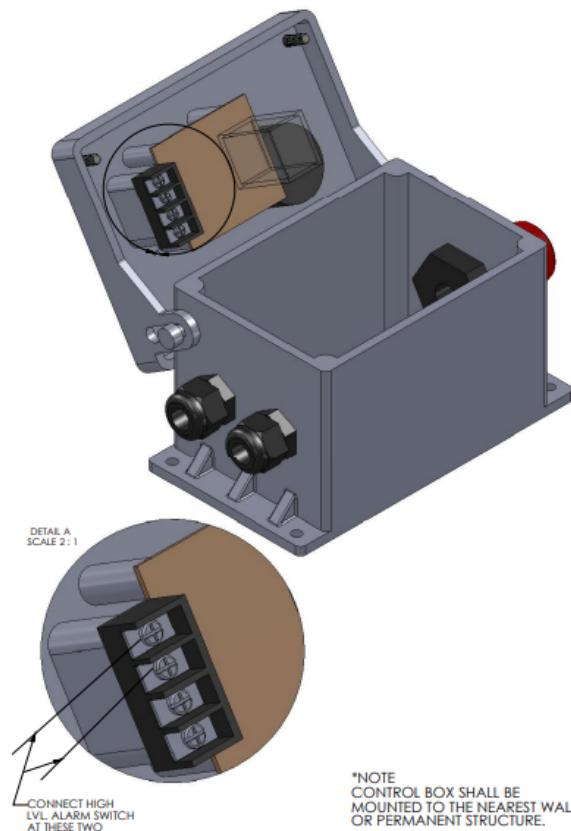


T&C CHEMICAL RESISTANT LEVEL FLOATS, SENSORS, AND ALARM PANEL

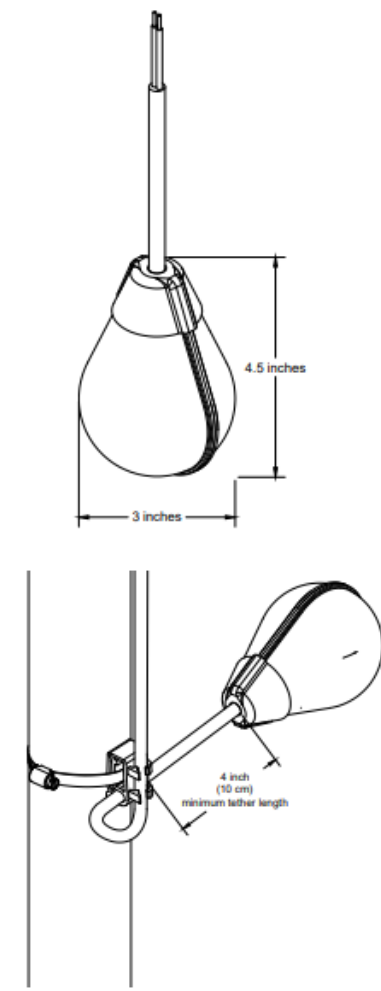


HIGH LEVEL ALARM ASSEMBLY



Model	Type	Cord Length	Angle
44-20	Normally Open	20'	Narrow
44-30	Normally Open	30'	Narrow
44-50	Normally Open	50'	Narrow
44-100	Normally Open	100'	Narrow
Model	Type	Cord Length	Angle
44-20-C	Normally Closed	20'	Narrow
44-30-C	Normally Closed	30'	Narrow
44-50-C	Normally Closed	50'	Narrow
44-100-C	Normally Closed	100'	Narrow

PP-44T LEVEL FLOAT



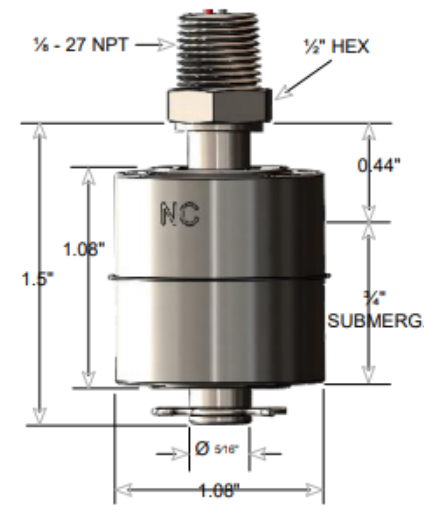
DESCRIPTION

The PP-34T Series Compact Level Switches feature a Buna-N or stainless steel float for higher heat and pressure capabilities. Designed for low-cost, high-volume use, the PP vertical switches are best suited in shallow and restricted tank spaces. Their durable brass and stainless steel construction also allow for installations in several harsh and corrosive environments. All stainless steel L170 models are FDA compliant with food contact regulations and provide an ideal choice for use in food and beverage equipment.



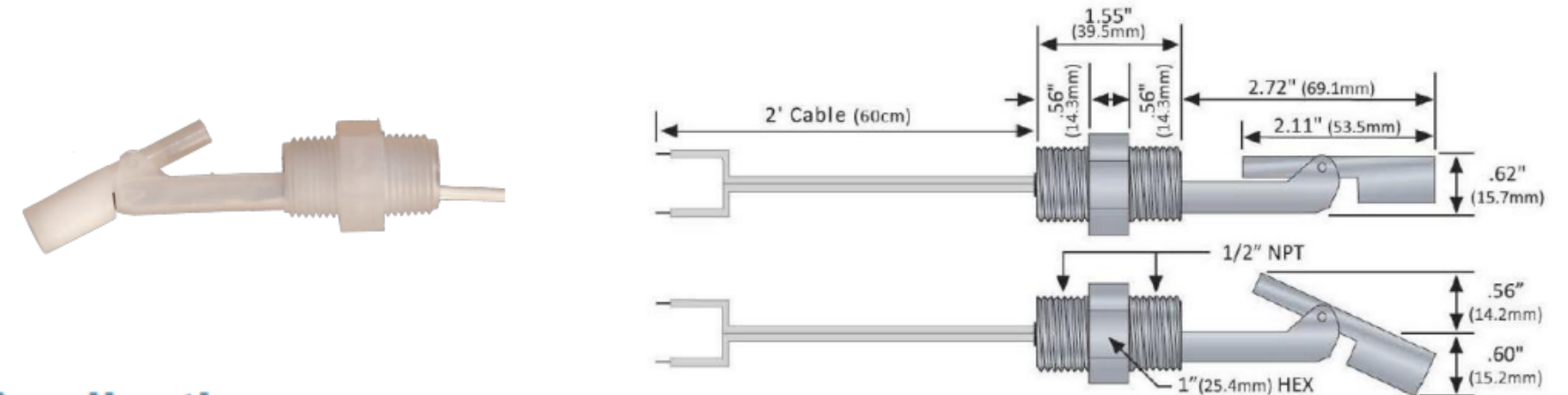
PP-34T

DIMENSIONS



Application

Offered in vertical and horizontal configurations, the general purpose mini-float level switches provide reliable liquid level detection of clean water and chemical solutions with a 50VA or 30VA reed switch output. Media examples include water and sulfuric acid. The polypropylene or PVDF liquid level sensors are mounted vertically inside the tank or horizontally through the tank wall as a high level alarm or low level alarm.



PP-24T

NOTES:	MATERIAL:			TITLE: T&C SINK STRAINERS	REV:	 WWW.TANDCPLASTICS.COM 732-780-5300		
	UNLESS STATED OTHERWISE DIMENSIONS ARE IN INCHES	WEIGHT [lb]:					NAME	DATE
		DO NOT SCALE DRAWING	CHECKED				DR	11/21/2022
THE INFORMATION CONTAINED IN THIS DRAWING IS THE SOLE PROPERTY OF TOWN & COUNTRY PLASTICS LLC. ANY REPRODUCTION IN PART OR AS A WHOLE WITHOUT THE WRITTEN PERMISSION OF TOWN & PLASTICS LLC IS PROHIBITED.								