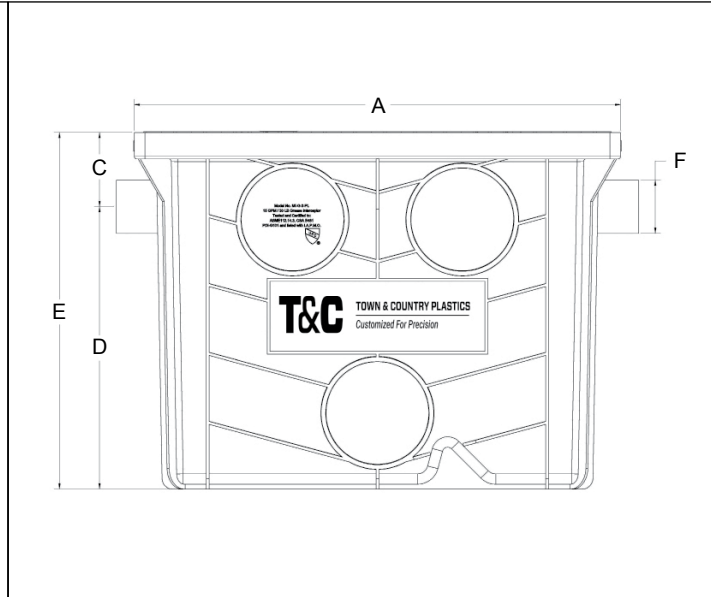
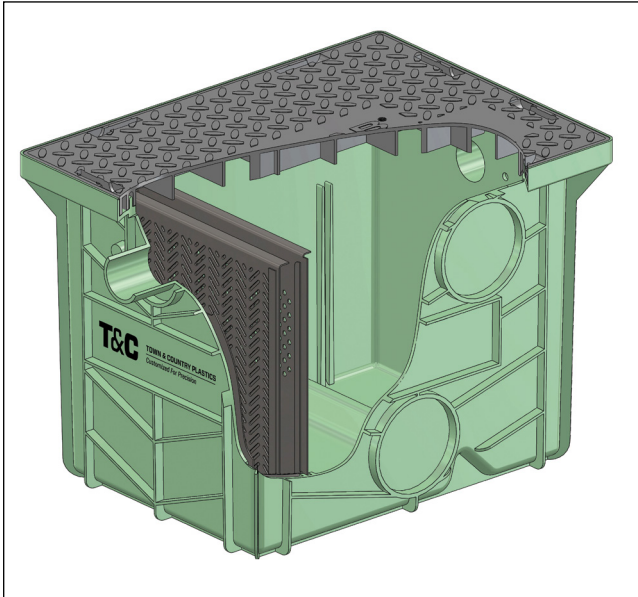


Location: \_\_\_\_\_

**Specification:** Town & Country Plastics (T&C), TC-SLD-PL HDPE injection molded solids interceptor with internal perforated sediment bucket with coarse screen, baffle assembly and HDPE injection molded, non skid, rectangular gasketed lid with securing latches.

**Function:** Typically installed between the grease interceptor and the fixtures served either on or recessed in the floor. The solids interceptor will filter out solids and sediment from the fixture waste line before entering the related grease interceptor to reduce clogging and improve performance. Interceptor is cleaned by removing top access gasketed lid and accessing the internal sediment bucket. Simple latch design permits fast and easy removal of the lid for cleaning and maintenance. HDPE injection molded body and lid are covered by a limited lifetime warranty.



MODEL NO.	FLOW RATE (GPM)	A (IN)	B (IN)	C (IN)	D (IN)	E (IN)	F (IN)
TC-SLD-PL-7	7	19.5	15.5	3.5	9	12.5	2
TC-SLD-PL-10	10	23	17.5	3.5	9.75	13.25	2
TC-SLD-PL-15	15	23	17.5	3.5	13.25	16.75	2
TC-SLD-PL-20	20	29.5	20.5	3.5	10.75	14.25	3
TC-SLD-PL-25	25	29.5	20.5	3.5	14.75	18.25	3
TC-SLD-PL-35	35	33	25.5	5.5	16.75	22.25	3
TC-SLD-PL-50	50	33	25.5	5.5	18.75	24.25	3

**SUFFIX OPTIONAL VARIATIONS**

- C Extension "C" as required (fabricated, powder epoxy coated steel)
- specify Special size inlet and outlet
- FSCR Fine screen

CALIFORNIA PROPOSITION 65 WARNING. This product contains chemicals known to the State of California to cause cancer and birth defects or other reproductive harm.

Job Name: \_\_\_\_\_ Page No: \_\_\_\_\_  
 Section No: \_\_\_\_\_ Contractor: \_\_\_\_\_  
 Schedule No: \_\_\_\_\_ Purchase Order No: \_\_\_\_\_