

Location: _____



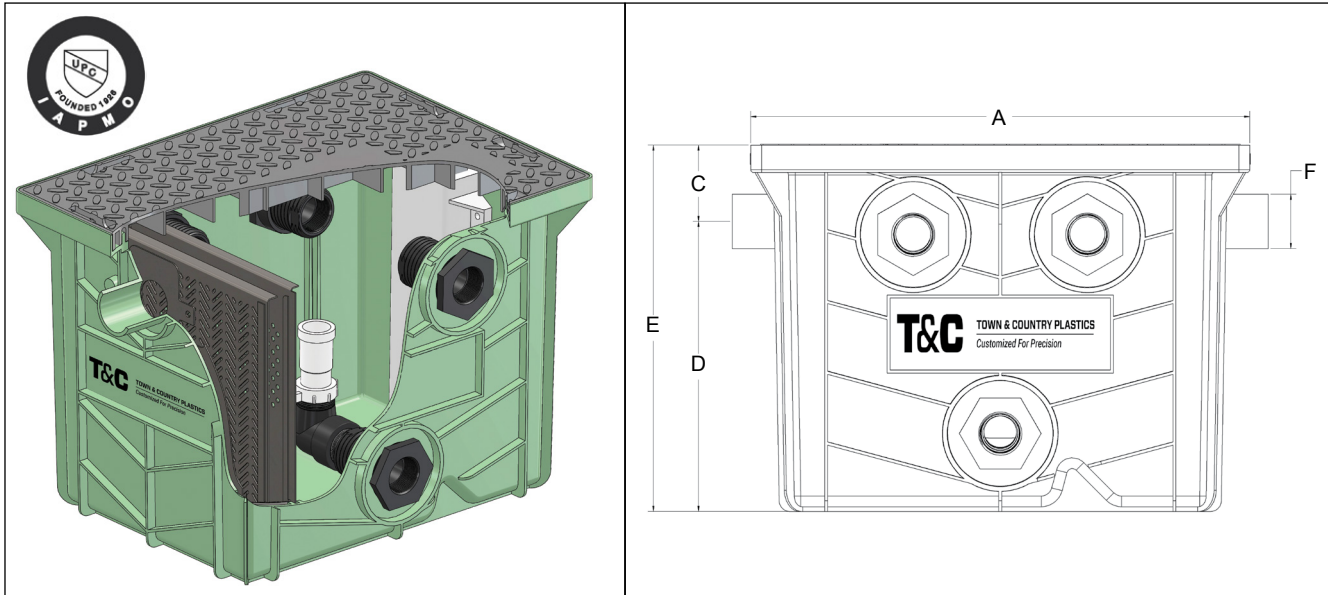
TOWN & COUNTRY PLASTICS
Customized For Precision

TC-OI-PL

10 TO 50 GPM HDPE OIL INTERCEPTORS

Specification: Town & Country Plastics (T&C) Series TC-OI-PL HDPE injection molded oil interceptor. Unit to include: sediment bucket with perforated baffle near inlet, deep seal trap covered by lid, sewer gas stopper, securing latches, stainless steel calibrated orifice plate, internal air relief by-pass, adjustable automatic draw-off assembly, double vent connection on each side, and HDPE injection molded, non skid, rectangular gasketed lid(s). Interceptor shall be listed with IAPMO

Function: Used in parking garages, service stations, and maintenance areas to receive wastewater that contains oil and sediment. The interceptor collects the oil before it is drained to an adjacent storage tank through an adjustable draw off system. Sediment and debris is collected inside of the internal sediment bucket. Regular maintenance is required to keep the interceptor functioning. Interceptor may be installed on the ground, semi recessed or flush with the floor. Sewer gas stopper prevents foul odors from entering the kitchen area through the interceptor. Simple latch design permits fast and easy removal of the lid for cleaning and maintenance. HDPE injection molded body and lid are covered by a limited lifetime warranty.



MODEL NO.	FLOW RATE (GPM)	A (IN)	B (IN)	C (IN)	D (IN)	E (IN)	F (IN)
TC-OI-PL-10	10	23	17.5	3.5	9.75	13.25	2
TC-OI-PL-15	15	23	17.5	3.5	13.25	16.75	2
TC-OI-PL-20	20	29.5	20.5	3.5	10.75	14.25	3
TC-OI-PL-25	25	29.5	20.5	3.5	14.75	18.25	3
TC-OI-PL-35	35	33	25.5	5.5	16.75	22.25	3
TC-OI-PL-50	50	33	25.5	5.5	18.75	24.25	3

SUFFIX OPTIONAL VARIATIONS

- C Extension "C" as required (fabricated, powder epoxy coated steel)
- specify Special size inlet and outlet

SUFFIX OPTIONAL VARIATIONS

- FLC Flow control fitting
- HLA High level alarm

CALIFORNIA PROPOSITION 65 WARNING: This product contains chemicals known to the State of California to cause cancer and birth defects or other reproductive harm.

Job Name: _____

Page No: _____

Section No: _____

Contractor: _____

Schedule No: _____

Purchase Order No: _____