

Location: \_\_\_\_\_



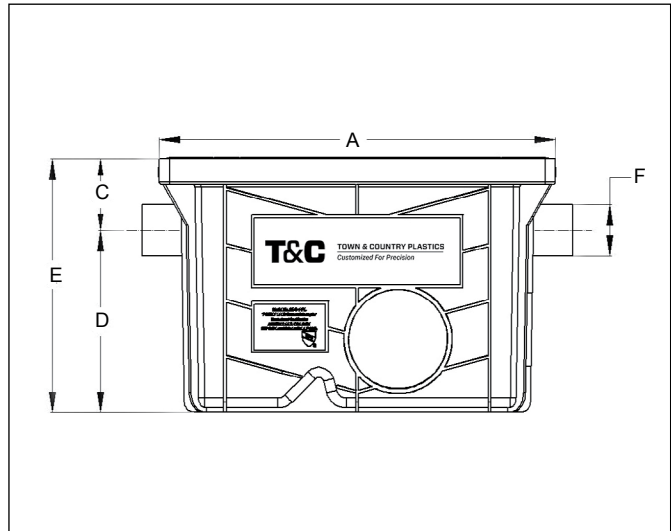
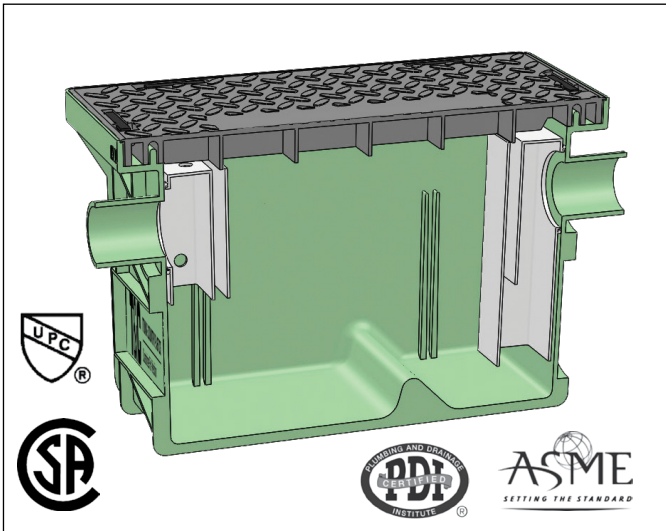
**TOWN & COUNTRY PLASTICS**  
Customized For Precision

**TC-GI-PL**

**7 to 50 GPM HDPE Grease Interceptors**

**Specification:** Town & Country Plastics (T&C) Series MI-G-PL \_\_\_\_ HDPE injection molded hydro mechanical grease interceptor with flow rating of \_\_\_\_ (indicate) and grease holding capacity of \_\_\_\_ (indicate). Unit shall include: removable baffle assembly, deep seal trap covered by lid, sewer gas stopper, securing latches, external vented flow control fitting, internal air relief by pass, HDPE injection molded, non skid, rectangular gasketed lid(s). Interceptor shall be tested and certified to the P.D.I. Standard PDI-G101, CSA B481, A.S.M.E. A112.14.3 and listed with I.A.P.M.O.

**Function:** Used in restaurants, kitchens, institutions and other types of food processing areas where fat, oil and grease (FOG) drains with the wastewater. External flow control fitting must be installed according to manufacturer's instructions to control rate of flow into the interceptor and therefore, the operating efficiency. Interceptor may be installed on the ground, semi recessed or flush with the floor. Simple latch lid design permits fast and easy removal of the lid for cleaning and maintenance. HDPE injection molded body and lid is covered by a limited lifetime warranty. Sewer gas stopper prevents foul odors from entering the kitchen area through the interceptor.



MODEL NO.	FLOW RATE (GPM)	GREASE CAP. (LBS.)	LIQUID CAP. (LBS.)	A (IN)	B (IN) WIDTH	C (IN)	D (IN)	E (IN)	F (IN)
TC-GI-PL-7	7	14	5.8	19.5	15.5	3.5	9	12.5	2
TC-GI-PL-10	10	20	8.5	23	17.5	3.5	9.75	13.25	2
TC-GI-PL-15	15	30	13	23	17.5	3.5	13.25	16.75	2
TC-GI-PL-20	20	40	16	29.5	20.5	3.5	10.75	14.25	3
TC-GI-PL-25	25	50	23	29.5	20.5	3.5	14.75	18.25	3
TC-GI-PL-35	35	70	39	33	25.5	5.5	16.75	22.25	3
TC-GI-PL-50	50	100	44	33	25.5	5.5	18.75	24.25	3
TC-GI-PL-L-25	25	50	19	33	25.5	3.5	9	12.5	3

**SUFFIX    OPTIONAL VARIATIONS:**  
 -C        Extension "C" as required (fabricated powder epoxy coated steel)  
 -DP        Dosing pump  
 -EP        Enzyme port

**SUFFIX    OPTIONAL VARIATIONS:**  
 -HLA      High level alarm  
 -SB        Sediment bucket  
 -SD        Semi-automatic draw off port on end of interceptor - 3/4"

CALIFORNIA PROPOSITION 65 WARNING. This product contains chemicals known to the State of California to cause cancer and birth defects or other reproductive harm.

Job Name: \_\_\_\_\_  
 Section No: \_\_\_\_\_  
 Schedule No: \_\_\_\_\_

Page No: \_\_\_\_\_  
 Contractor: \_\_\_\_\_  
 Purchase Order No: \_\_\_\_\_