

Signet 2760 DryLoc® pH/ORP Preamplifiers



In-line
2760



Submersible
2760

DryLoc® Electrodes sold separately.

The Signet 2760 pH/ORP Preamplifiers feature a DryLoc® connector, providing a robust connection to Signet DryLoc electrodes.

The 2760 preamplifier allows DryLoc pH/ORP electrodes to work with Signet ProcessPro® and ProPoint® pH/ORP instruments.

The DryLoc electrode connector system quickly forms a robust assembly for submersible and in-line installations. Optional NEMA 4X junction enclosures extend the preamplifier cable to long distances.

The 2760 submersible preamplifier can also be used as an in-line preamplifier when used with the ¾ in. or 1 in. threaded sensors including the 2724, 2774 and 2764 series electrodes. The 2760 in-line preamplifier can be used with Signet fittings up to DN100 (4 in.) and Wet-Tap assemblies.

The 2760 pH/ORP preamplifiers are compatible with the Signet 8750 and older analog transmitters. The 8900 and 9900 instruments and Profibus Concentrator require the use of the 2751 Smart Sensor Electronics, and are not compatible with the 2760 preamplifier.

Features

- In-line integral mount and submersible installation versions
- Compatible with pH or ORP sensors
- Patented DryLoc® connector provides a quick and secure connection to the sensor*



Applications

- Water/Wastewater Treatment
- Neutralization Systems
- Scrubber Control
- Effluent Monitoring
- Surface Finishing
- Flocculent Coagulation
- Heavy Metal Removal and Recovery
- Toxic Destruction
- Sanitization Systems
- Pool & Spa Control
- Aquatic Animal Life Support Systems

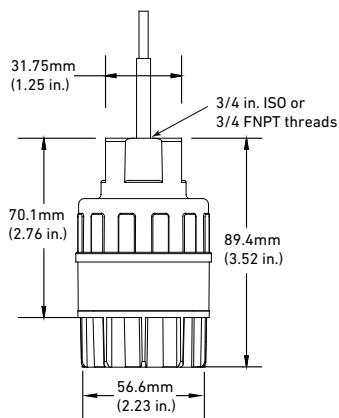
*U.S. Patent No.: 6,666,701

Specifications

General			
Compatible Electrodes	Signet DryLoc pH and ORP Electrodes Models 2724-2726, 2756-2757 Wet-Tap, 2764-2767, 2774-2777		
	All pH sensors used with the 2760/8750 must have a 3K Temperature sensor		
Compatible Instruments	8750 and 5700		
Operating Range	pH	0 to 14 pH	
	ORP	±2,000 mV	
Response Time*	pH	< 6 sec. for 95% of change	
	ORP	application dependent	
Materials	In-line	Valox® (PBT)	
	Submersible	CPVC	
Electrical			
Cable	4.6 m (15 ft) supplied, 120 m (400 ft) max		
	6 cond., foil shield with drain wire, 24 AWG		
Max. Temperature/Pressure Rating			
Operating Temperature	Submersible	0 °C to 85 °C	32 °F to 185 °F
	In-line	0 °C to 110 °C	32 °F to 230 °F
Storage Temperature	-20 °C to 85 °C	-4 °F to 185 °F	
Relative Humidity	0 to 95%, non-condensing (without electrode connected)		
Environmental			
Enclosure	Submersible	NEMA 6P/IP68 with electrode and watertight conduit and/or extension pipe connected	
	In-line	NEMA 4 with electrode and watertight conduit and/or extension pipe connected	
Shipping Weight			
	0.64 kg	1.41 lb	
Standards and Approvals			
CE, FCC			
RoHS compliant, China RoHS			
Manufactured under ISO 9001 for Quality and ISO 14001 for Environmental Management and OHSAS 18001 for Occupational Health and Safety			

Dimensions

3-2760-1, -2



3-2760-11, -21

