

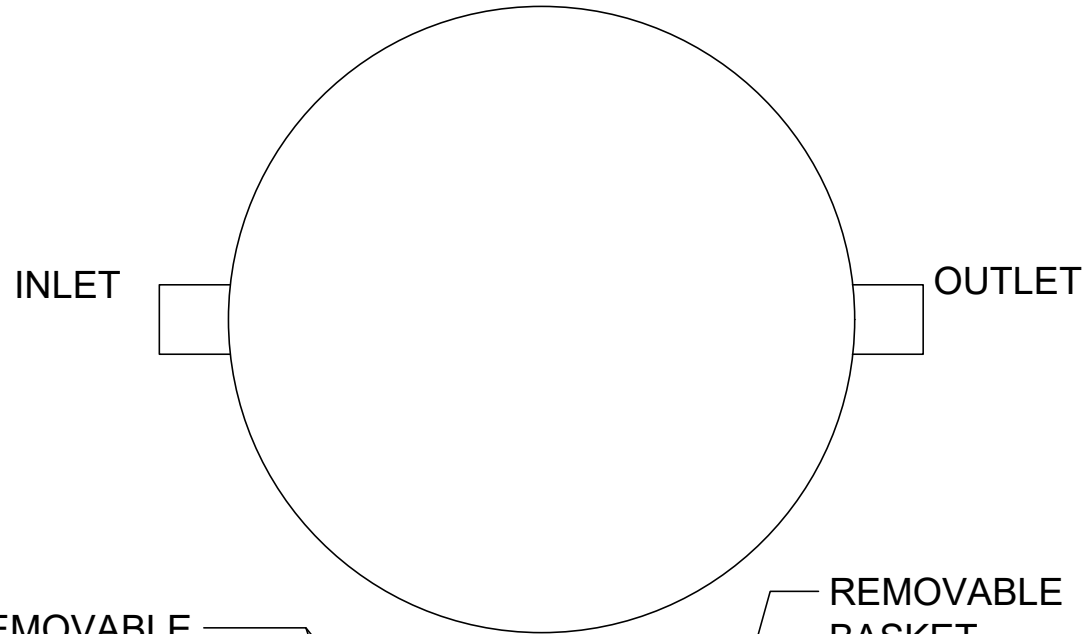
4

3

2

1

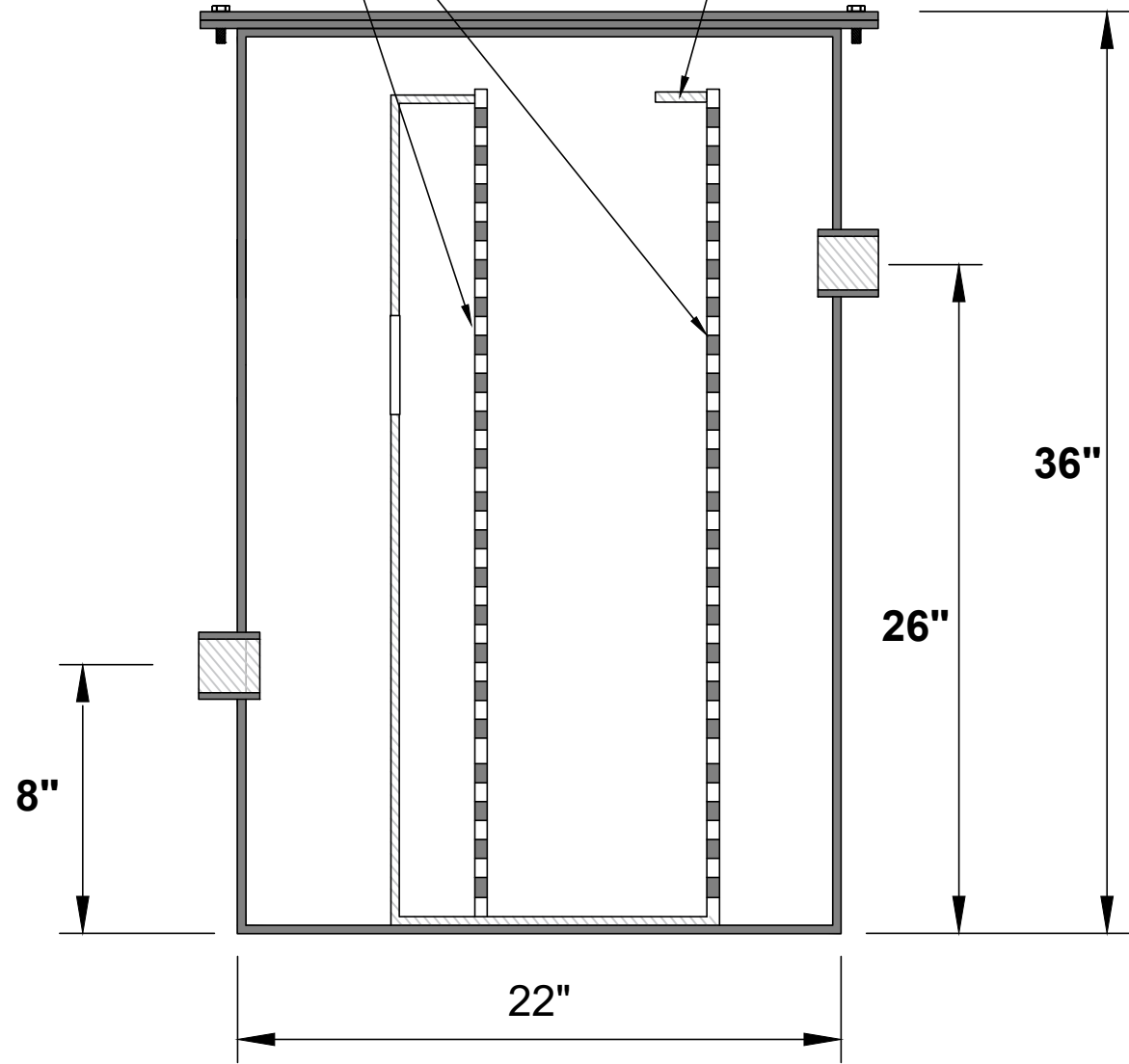
TOP VIEW



	FITTING SIZE	FITTING TYPE (MPT OR PLAIN END)	FITTING CENTERLINE	FITTING CENTERLINE (IF DIFFERENT THAN STANDARD)
INLET			8"	
OUTLET			26"	

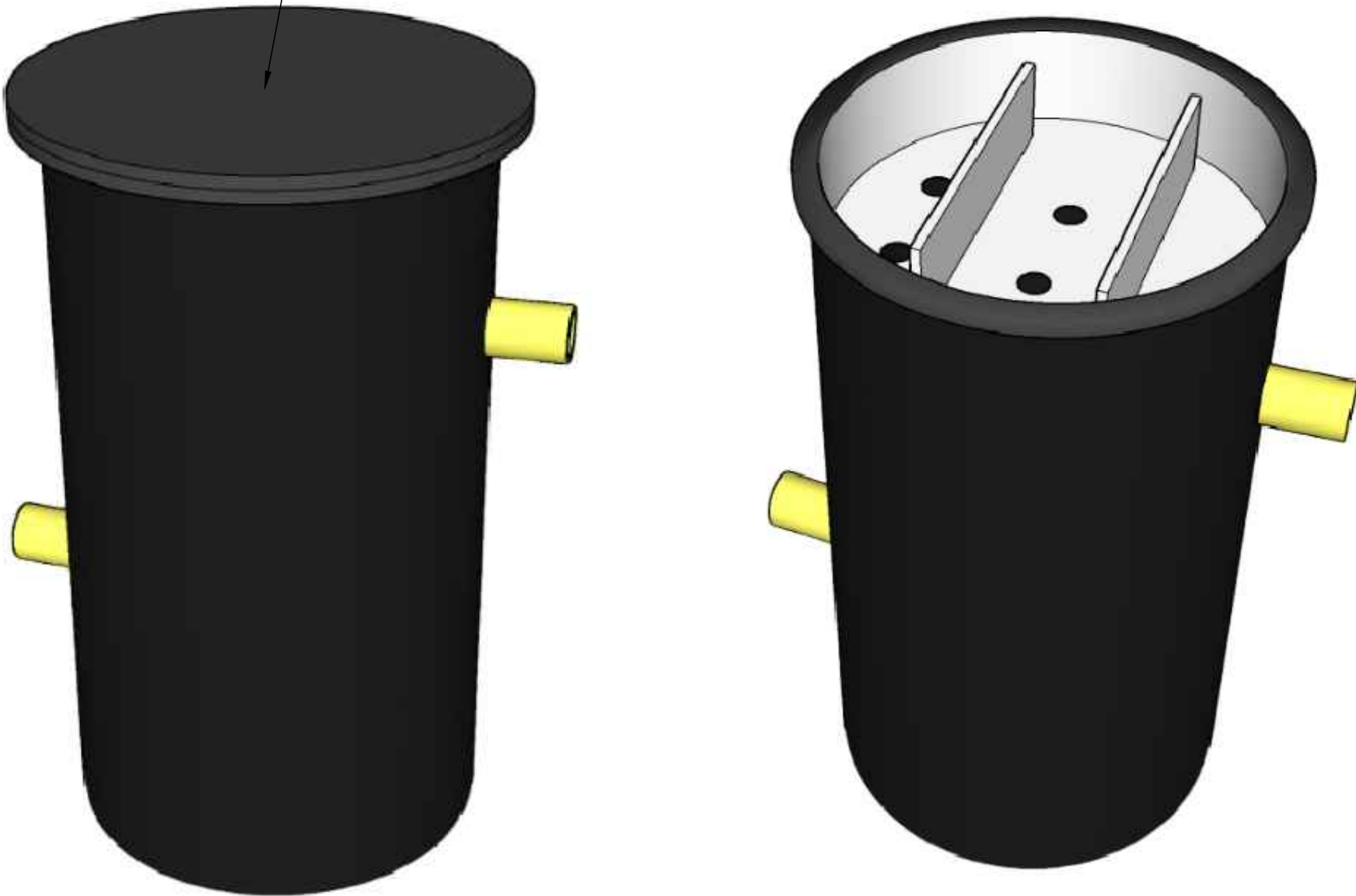
REMOVABLE PERFORATED BAFFLES

REMOVABLE BASKET



SECTION VIEW

STANDARD BOLTED & GASKETED COVER



WELDED BY:

COMPLETED BY:

REVIEWED BY:

UNLESS STATED OTHERWISE DIMENSIONS ARE IN INCHES

MATERIAL: HDPE

WEIGHT [lb]:

DO NOT SCALE DRAWING

	NAME	DATE
DRAWN	DR	10/23/2022
CHECKED		

TITLE: **SI-55 / HDPE SEDIMENT INTERCEPTOR**

SI SERIES

SHEET 1 OF 1

SCALE: 1:2

REV:

SIZE:



THE INFORMATION CONTAINED IN THIS DRAWING IS THE SOLE PROPERTY OF TOWN & COUNTRY PLASTICS LLC. ANY REPRODUCTION IN PART OR AS A WHOLE WITHOUT THE WRITTEN PERMISSION OF TOWN & PLASTICS LLC IS PROHIBITED.

4

3

2

1