

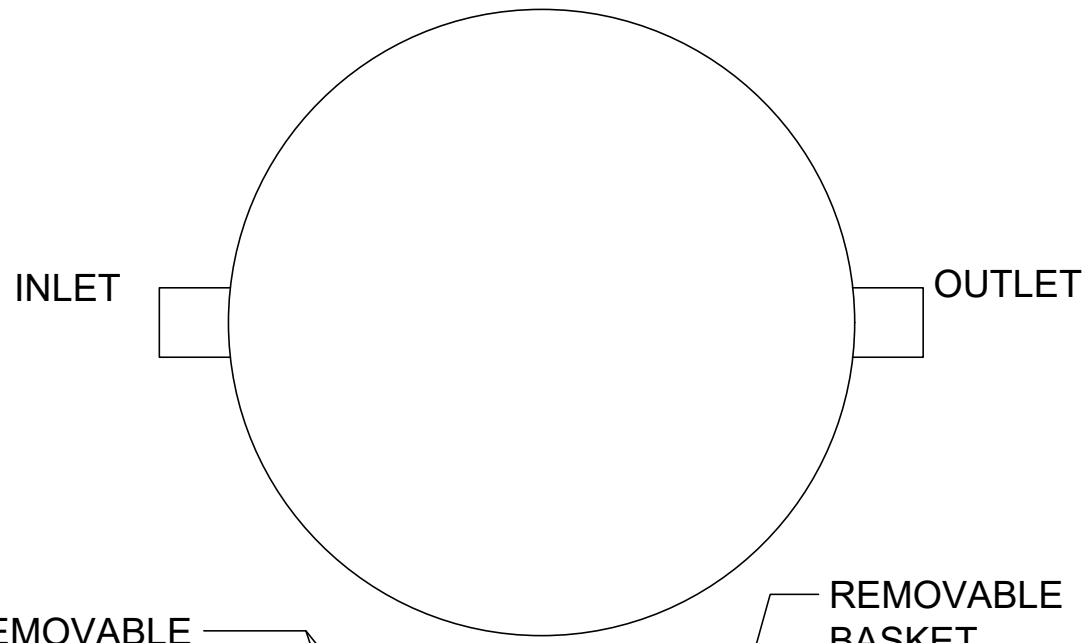
4

3

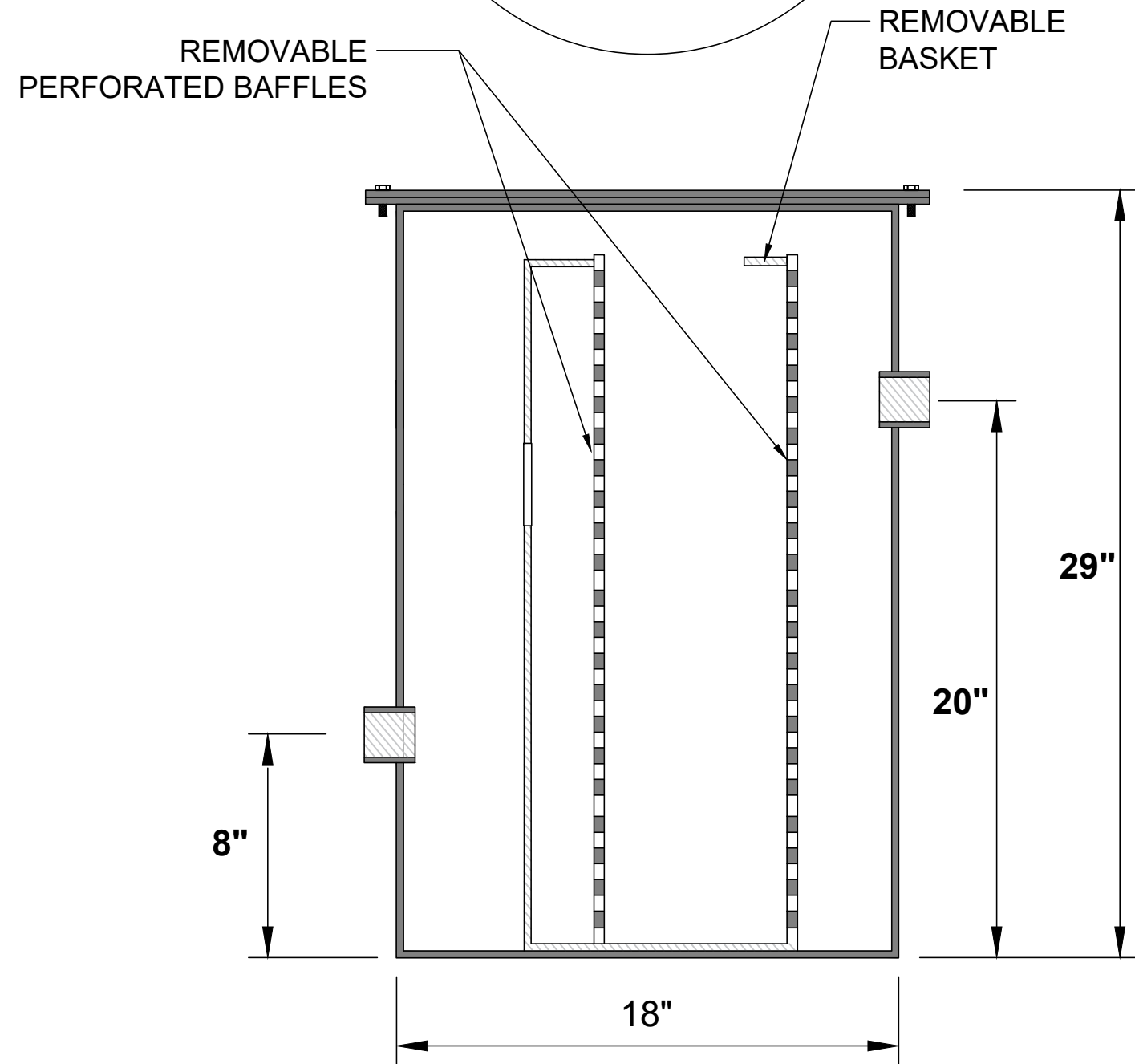
2

1

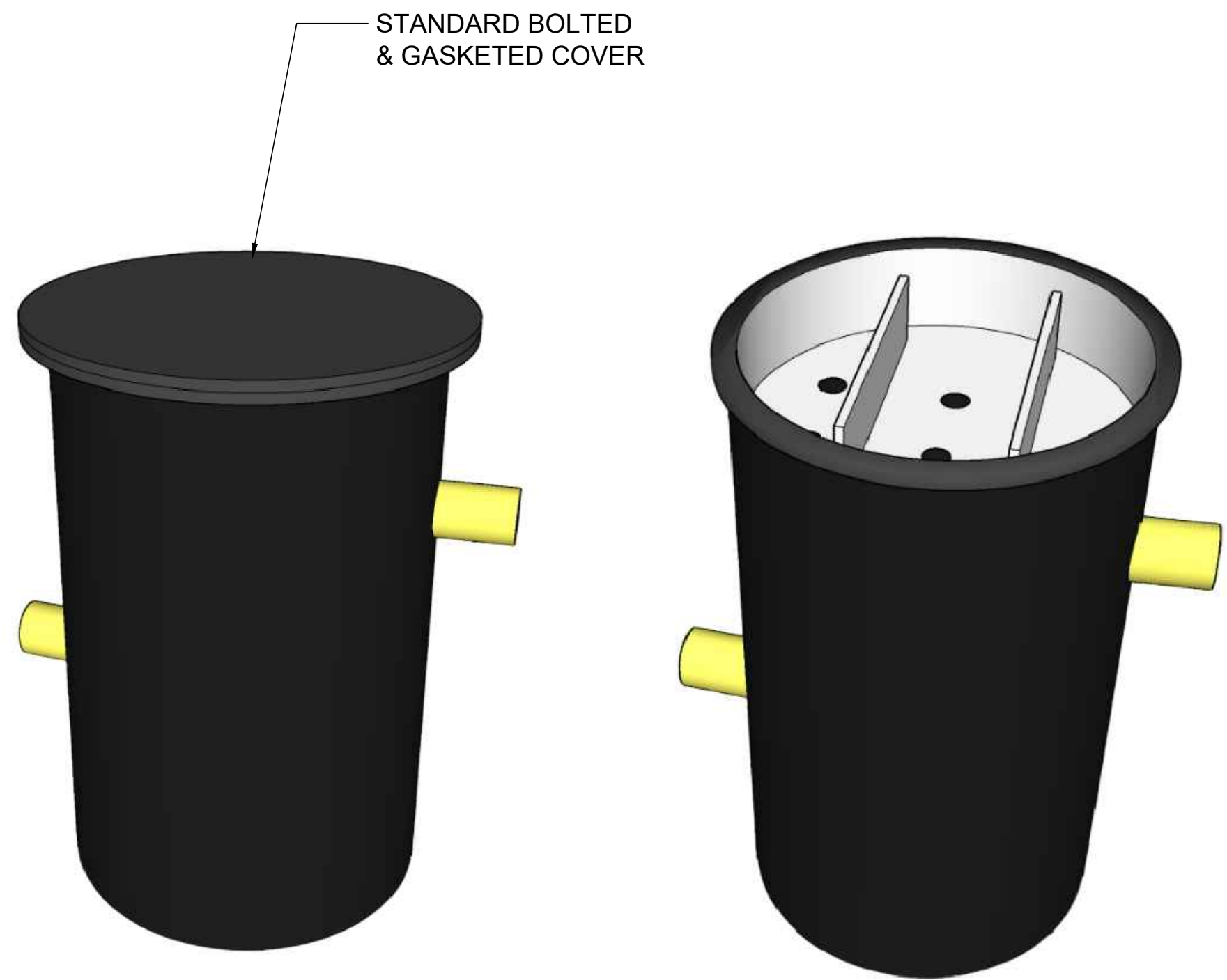
**TOP VIEW**



	FITTING SIZE	FITTING TYPE (MPT OR PLAIN END)	FITTING CENTERLINE	FITTING CENTERLINE (IF DIFFERENT THAN STANDARD)
INLET			8"	
OUTLET			20"	



**SECTION VIEW**



WELDED BY:

COMPLETED BY:

REVIEWED BY:

UNLESS STATED OTHERWISE DIMENSIONS ARE IN INCHES

MATERIAL: HDPE

WEIGHT [lb]:

DO NOT SCALE DRAWING

	NAME	DATE
DRAWN	DR	10/23/2022
CHECKED		

TITLE: **SI-30 / HDPE SEDIMENT INTERCEPTOR**

SI SERIES

SHEET 1 OF 1

SCALE: 1:2

REV:

SIZE:



THE INFORMATION CONTAINED IN THIS DRAWING IS THE SOLE PROPERTY OF TOWN & COUNTRY PLASTICS LLC. ANY REPRODUCTION IN PART OR AS A WHOLE WITHOUT THE WRITTEN PERMISSION OF TOWN & PLASTICS LLC IS PROHIBITED.

4

3

2

1

A

A