

CHEMICAL RESISTANT POLYPROPYLENE TAILPIECES

| MODEL# | SIZE | LENGTH (L) |
|-------------|--------|------------|
| # PP- 19MT | 1-1/2" | 12" |
| # PP- 21MT | 2" | 12" |
| # PP- 21MTM | 2" | 8" |

| MODEL# | SIZE | LENGTH (L) |
|----------|--------|------------|
| # PP- 18 | 1-1/2" | 12" |



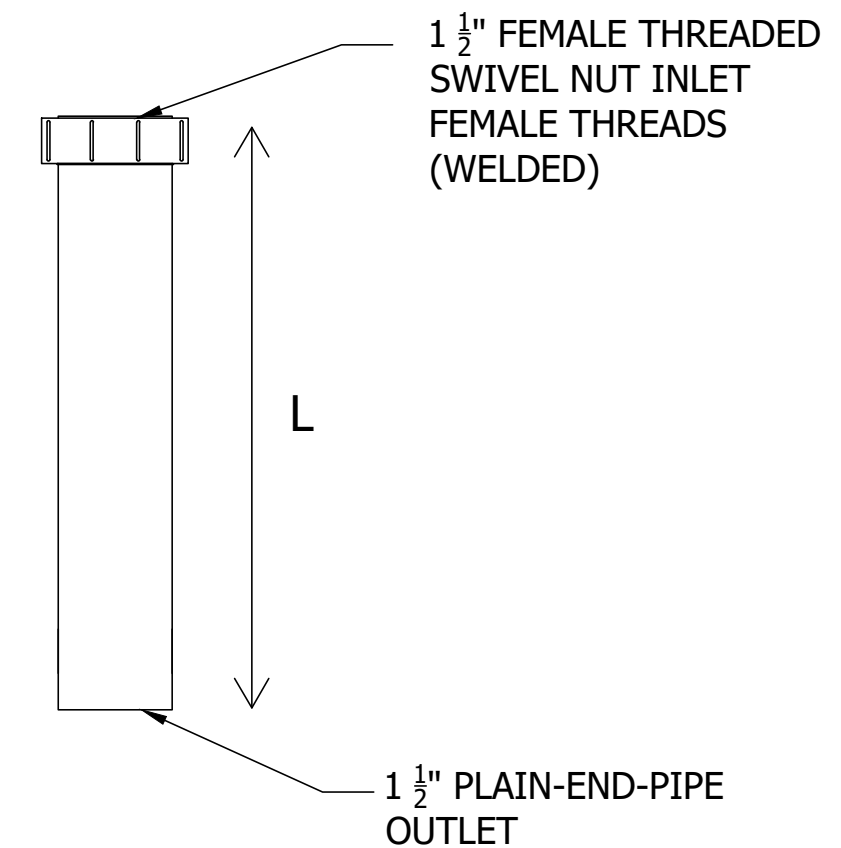
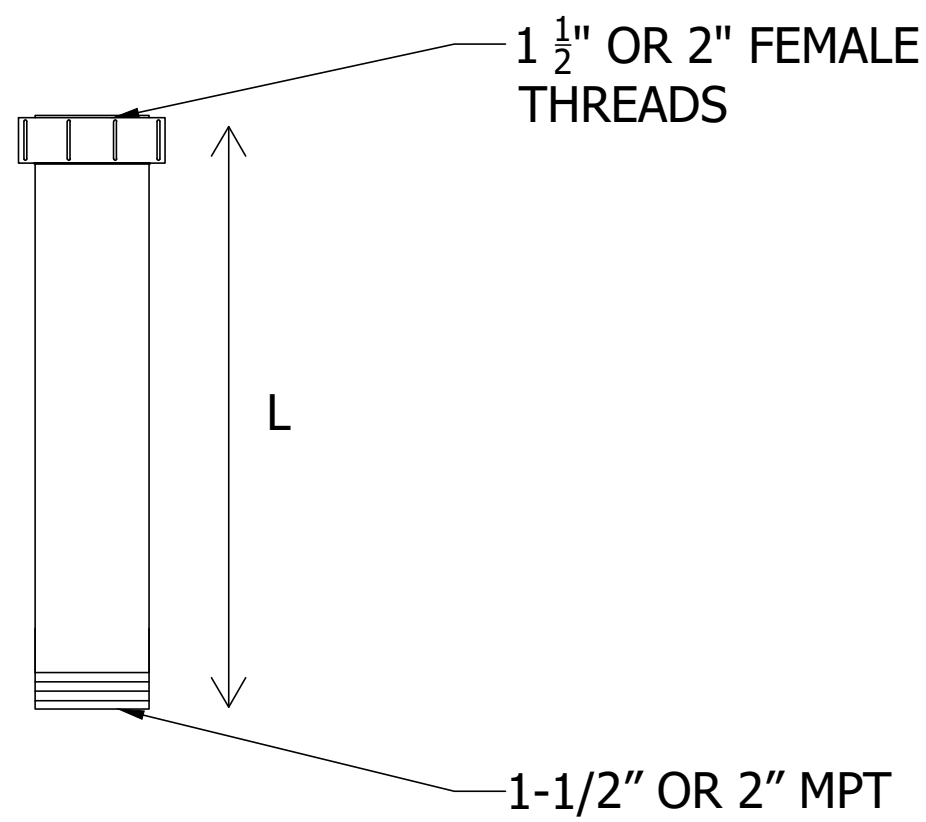
PP-19MT



PP-21MT



PP-18



| | | | | | | | | | |
|--|-------------------------|---------|-------|------|---|------|--|--------------|-------|
| UNLESS STATED OTHERWISE DIMENSIONS ARE IN INCHES | MATERIAL: POLYPROPYLENE | | | | TITLE: POLYPROPYLENE TAILPIECES | REV: | T&C PLASTICS WWW.TANDCPLASTICS.COM 732-780-5300 | | |
| | WEIGHT [lb]: | | NAME | DATE | | | | SHEET 1 OF 1 | SIZE: |
| | DO NOT SCALE DRAWING | | DRAWN | DR | | | | | |
| | | CHECKED | | | | | | | |
| THE INFORMATION CONTAINED IN THIS DRAWING IS THE SOLE PROPERTY OF TOWN & COUNTRY PLASTICS LLC. ANY REPRODUCTION IN PART OR AS A WHOLE WITHOUT THE WRITTEN PERMISSION OF TOWN & PLASTICS LLC IS PROHIBITED. | | | | | | | | | |