

4

3

2

1

D

D

C

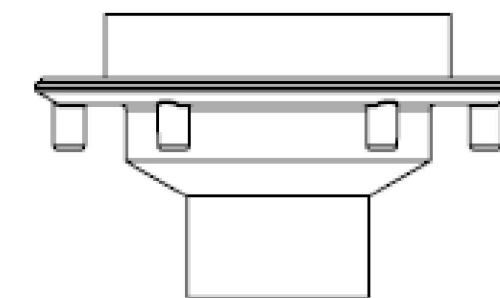
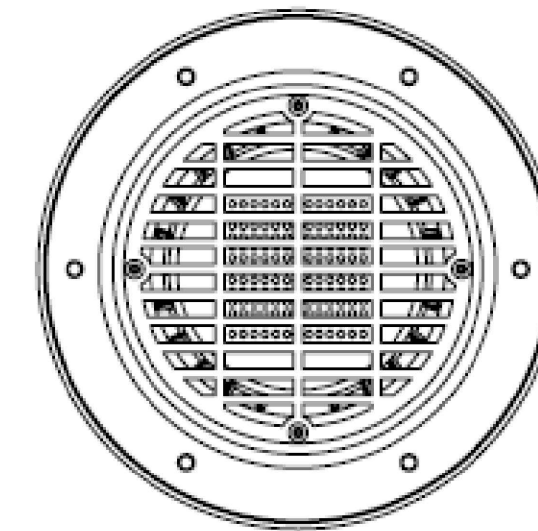
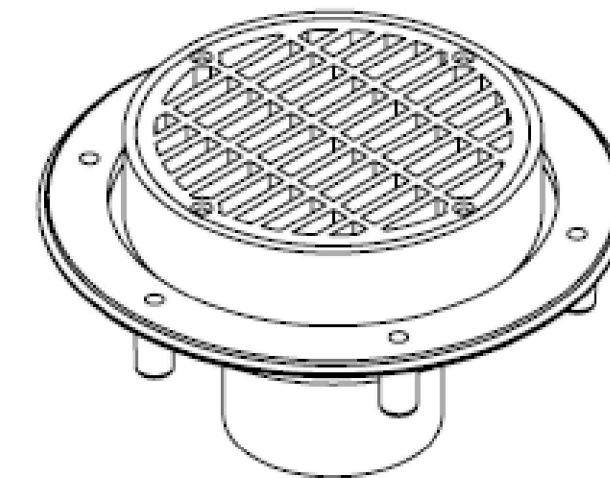
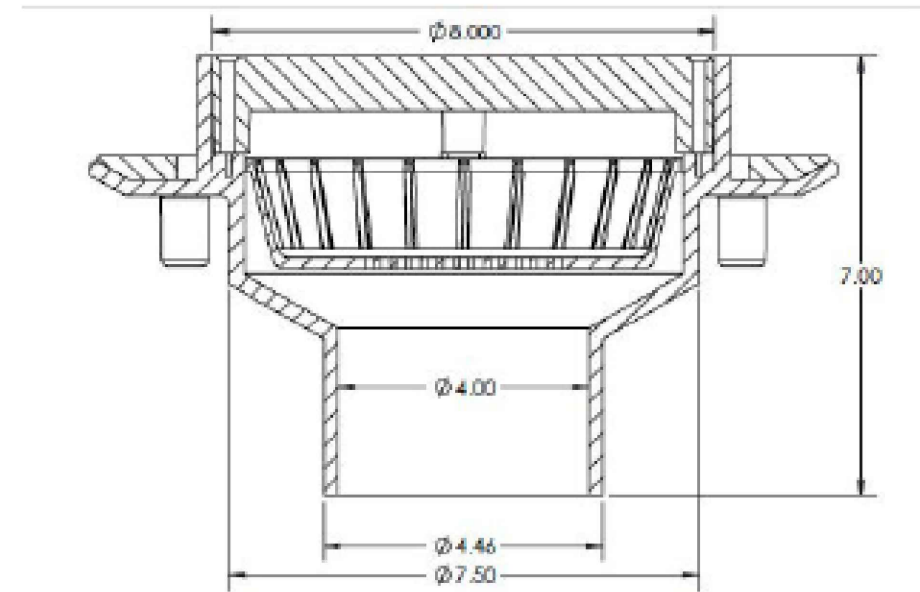
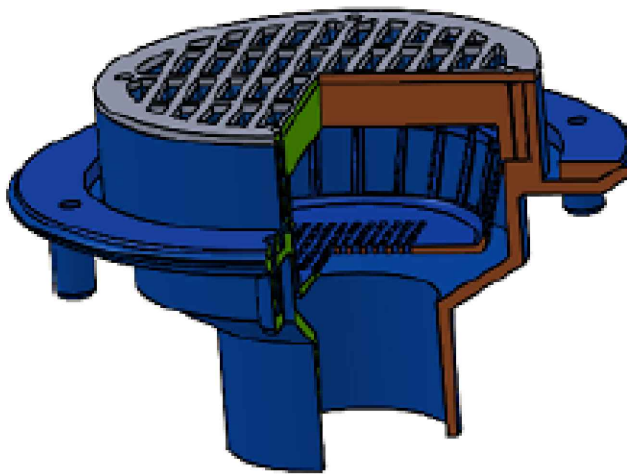
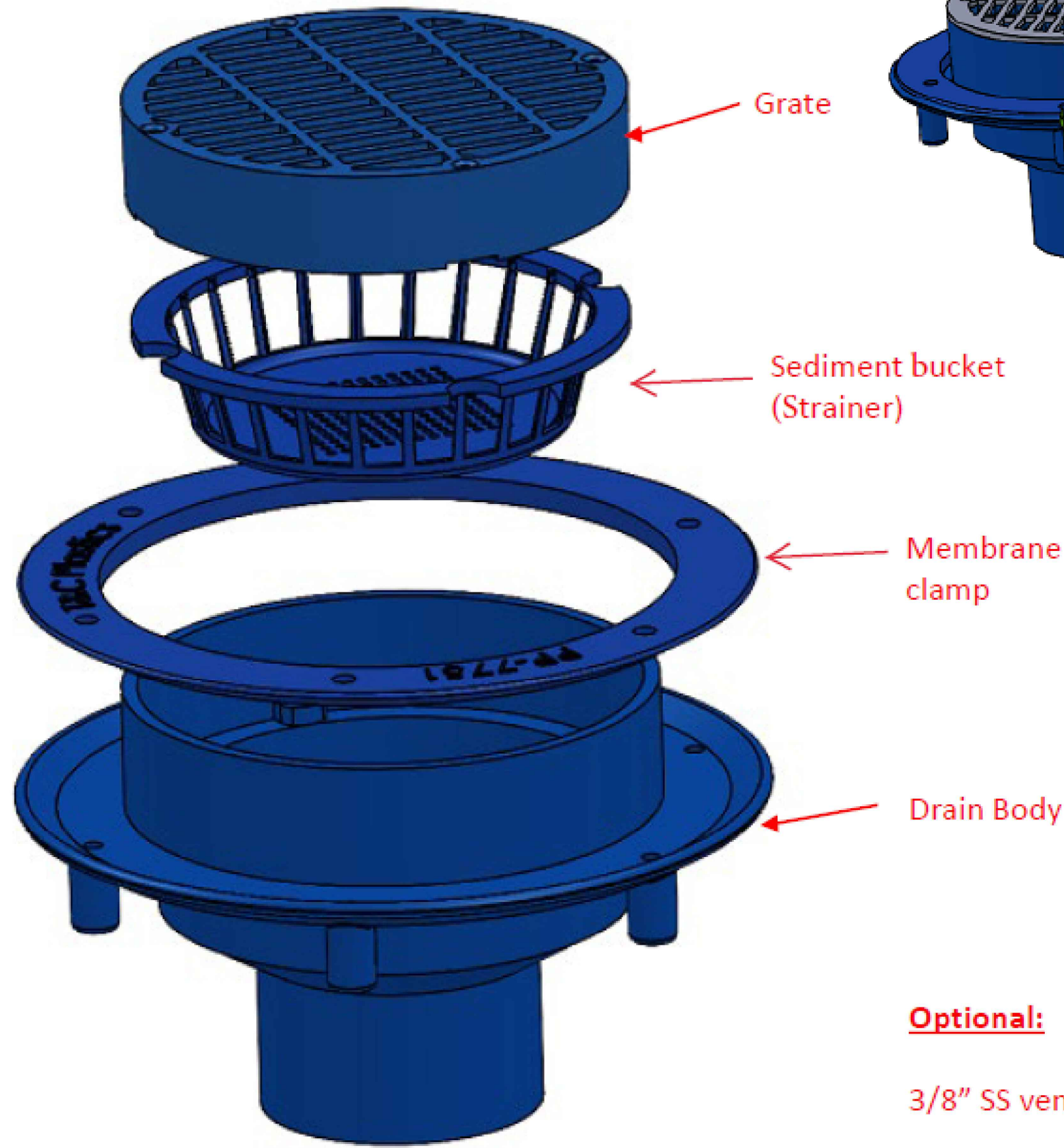
C

B

B

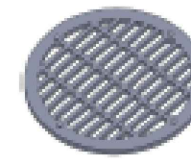
A

A



Optional:

3/8" SS veneer



Trap primer, 90 degree outlet and other outlet sizes are available

UNLESS STATED OTHERWISE DIMENSIONS ARE IN INCHES	WELDED BY:	MATERIAL: POLYPROPYLENE			TITLE: PP-7751 DRAIN DETAILS	REV:	 WWW.TANDCPLASTICS.COM 732-780-5300	
	COMPLETED BY:	WEIGHT [lb]:	NAME	DATE		SHEET 1 OF 1		SIZE:
	REVIEWED BY:	DO NOT SCALE DRAWING	CHECKED			SCALE: 1:2		
THE INFORMATION CONTAINED IN THIS DRAWING IS THE SOLE PROPERTY OF TOWN & COUNTRY PLASTICS LLC. ANY REPRODUCTION IN PART OR AS A WHOLE WITHOUT THE WRITTEN PERMISSION OF TOWN & PLASTICS LLC IS PROHIBITED.								

4

3

2

1