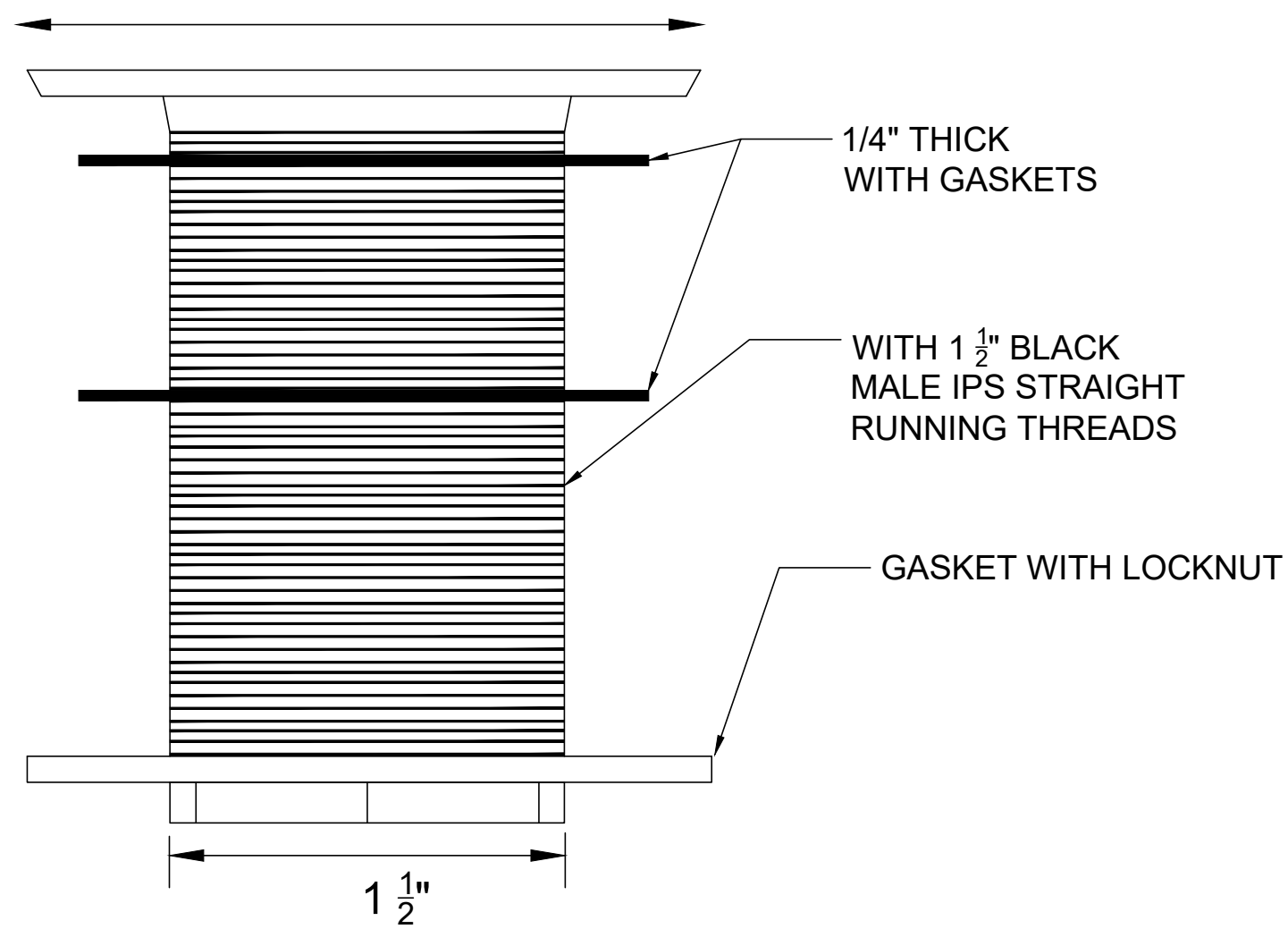


THE PP-41AP SINK STRAINER INCLUDES TOP PLUG
 THE PP-41A IS THE SAME STRAINER WITHOUT THE TOP PLUG

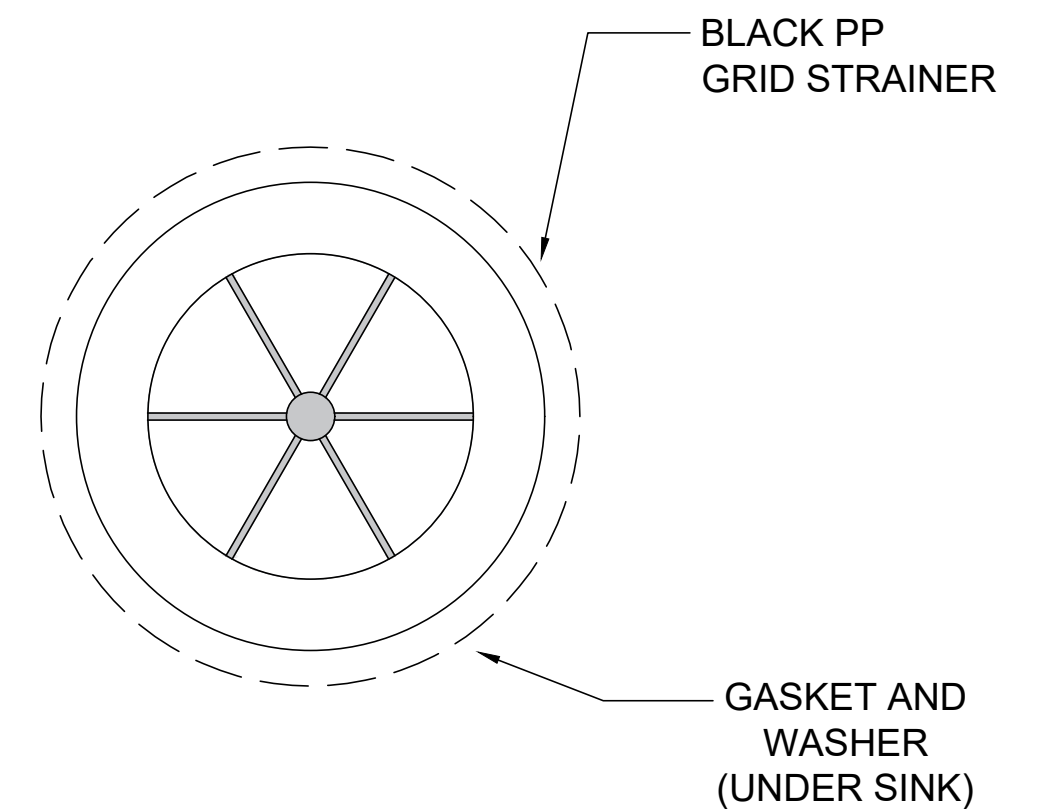
SIDE VIEW


APPROX. 3.310" DIAM.

APPROX. 4" LONG



TOP VIEW



UNLESS STATED OTHERWISE DIMENSIONS ARE IN INCHES	MATERIAL: POLYPROPYLENE				TITLE: PP-41AP/PP-41A SINK STRAINER	REV:	 WWW.TANDCPLASTICS.COM 732-780-5300		
	WEIGHT [lb]:		NAME	DATE				SHEET 1 OF 1	SIZE:
	DO NOT SCALE DRAWING		DRAWN	DR					
		CHECKED			SCALE: 1:2				
THE INFORMATION CONTAINED IN THIS DRAWING IS THE SOLE PROPERTY OF TOWN & COUNTRY PLASTICS LLC. ANY REPRODUCTION IN PART OR AS A WHOLE WITHOUT THE WRITTEN PERMISSION OF TOWN & COUNTRY PLASTICS LLC IS PROHIBITED.									