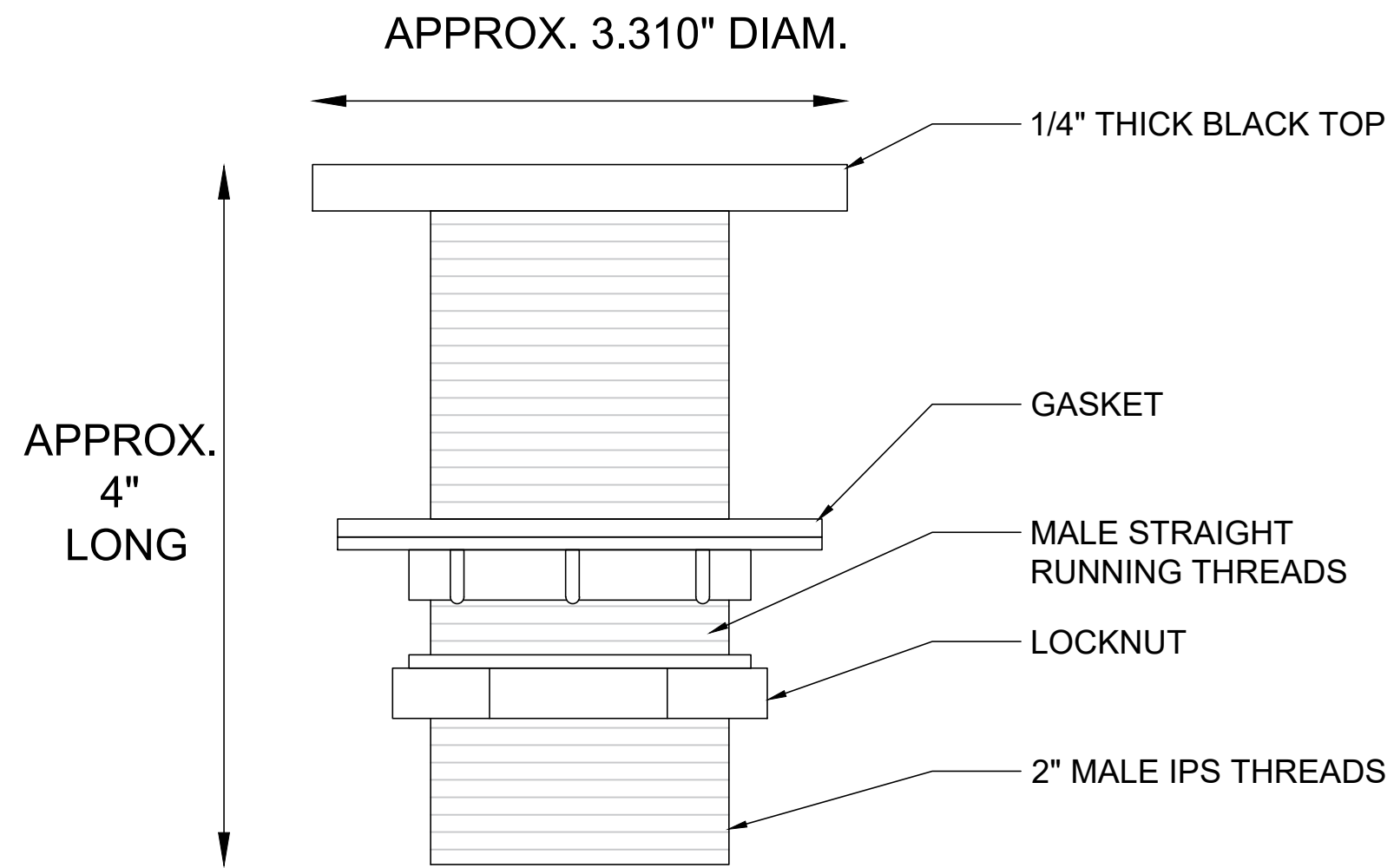
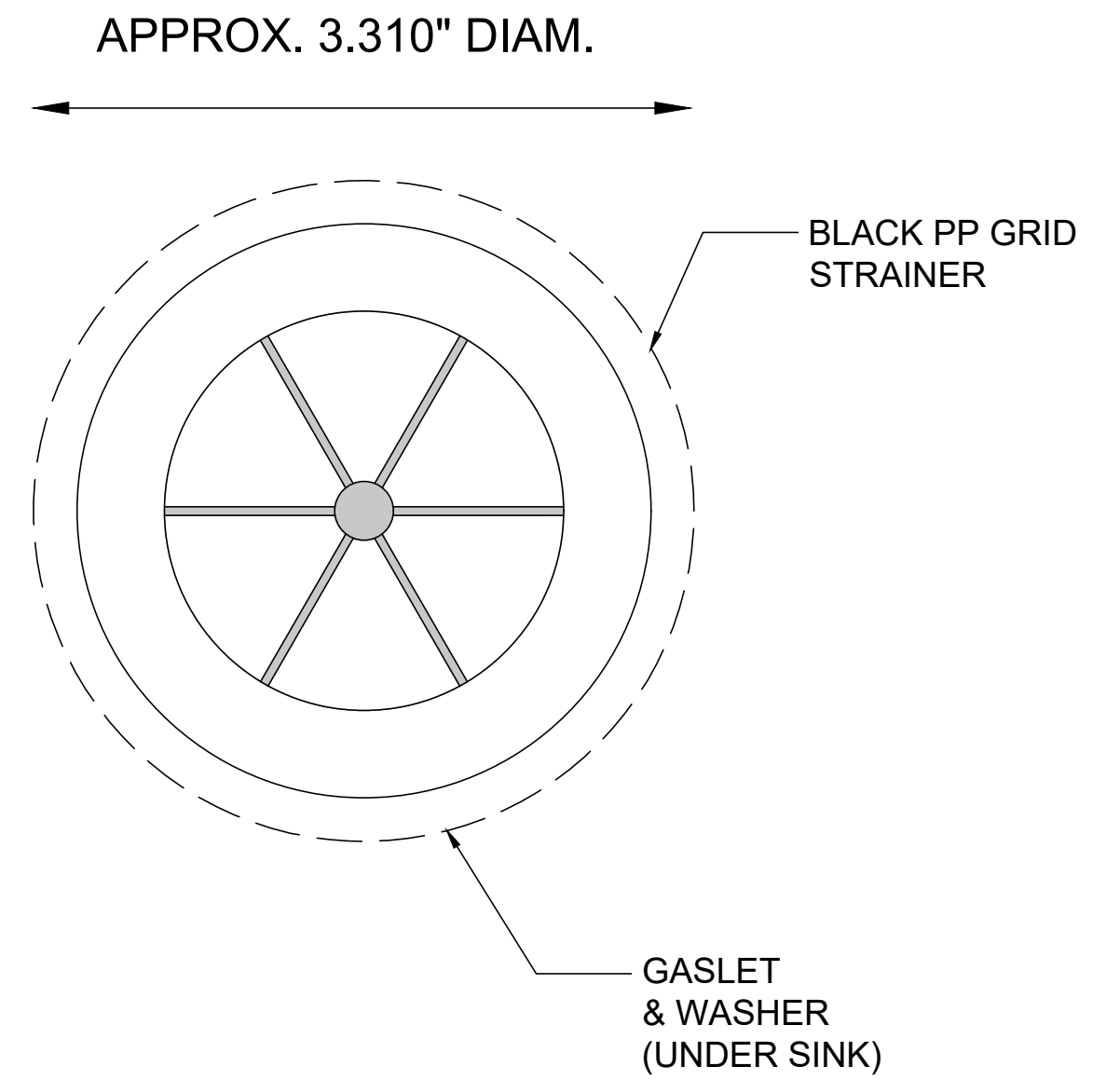


SIDE VIEW



TOP VIEW



UNLESS STATED OTHERWISE DIMENSIONS ARE IN INCHES	MATERIAL: POLYPROPYLENE				TITLE: PP-40AM SINK STRAINER	REV:	 T&C PLASTICS WWW.TANDCPLASTICS.COM 732-780-5300	
	WEIGHT [lb]:		NAME	DATE		SHEET 1 OF 1		SIZE:
	DO NOT SCALE DRAWING		DRAWN	DR		11/7/2022		SCALE: 1:2
		CHECKED						
THE INFORMATION CONTAINED IN THIS DRAWING IS THE SOLE PROPERTY OF TOWN & COUNTRY PLASTICS LLC. ANY REPRODUCTION IN PART OR AS A WHOLE WITHOUT THE WRITTEN PERMISSION OF TOWN & PLASTICS LLC IS PROHIBITED.								