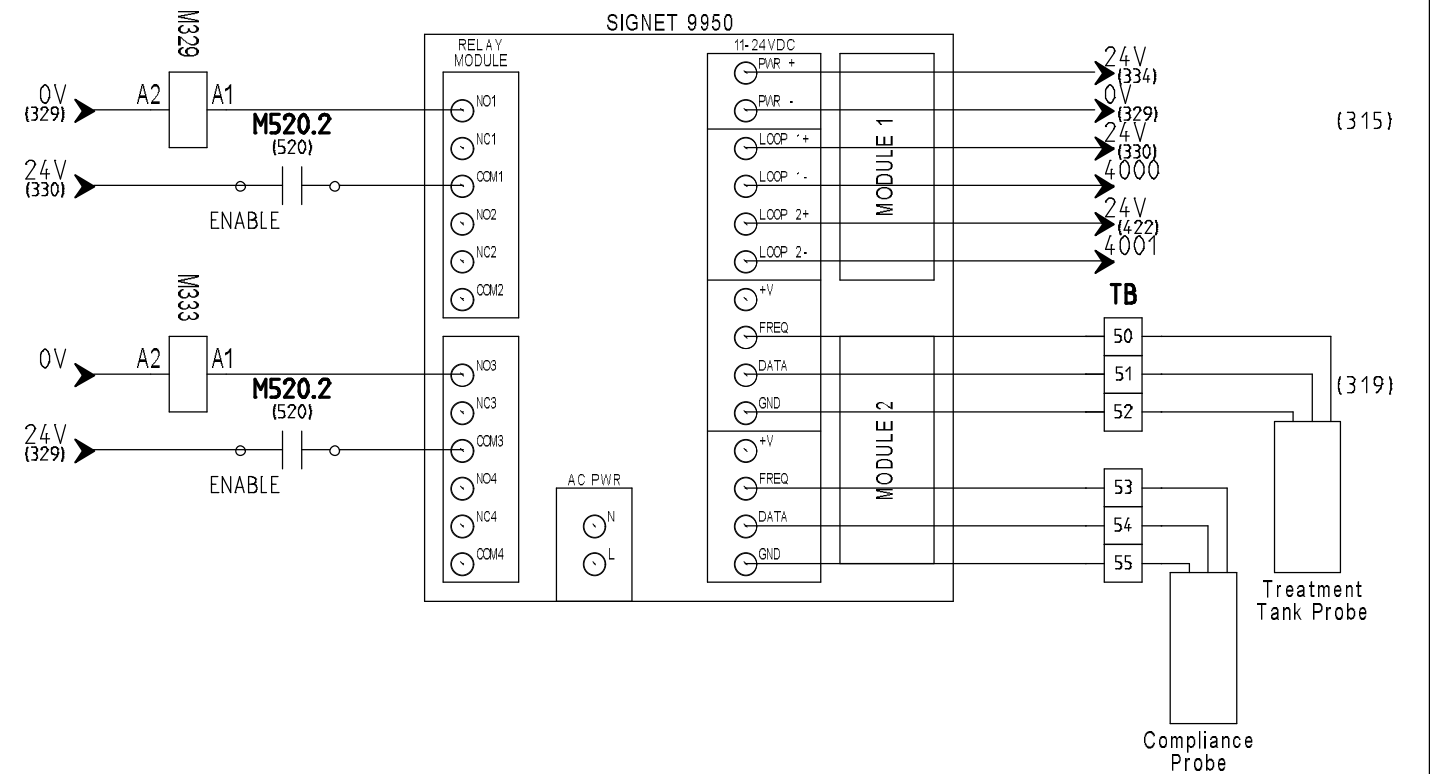
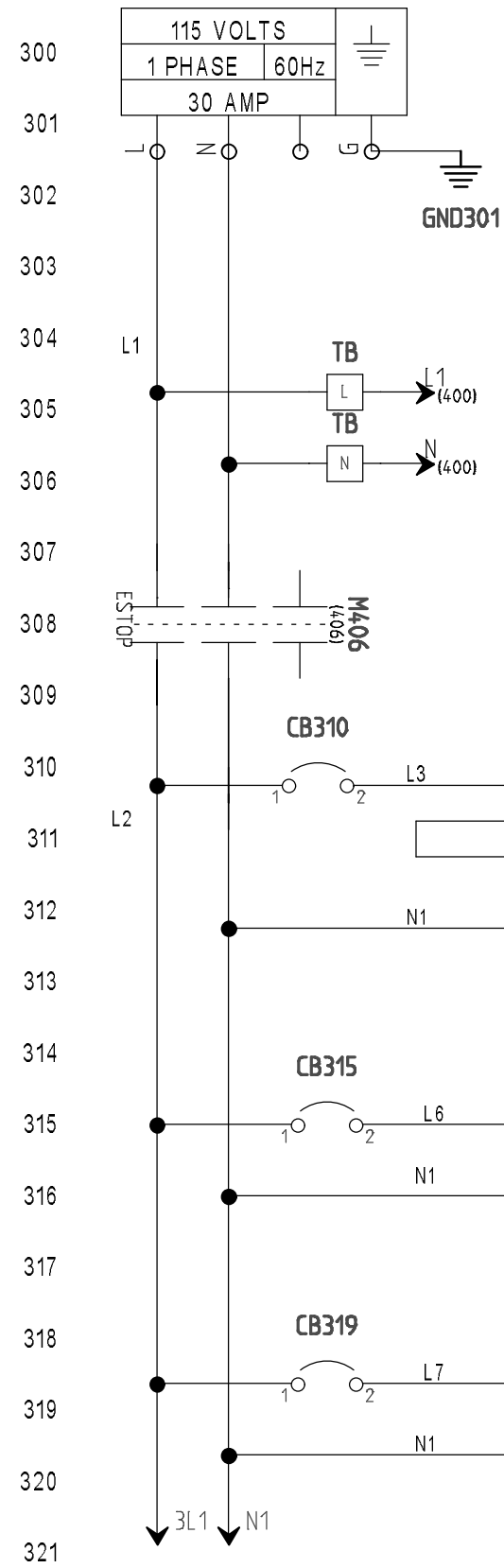




Project: T&C Single Tank pH Controller ON_OFF

Model# PHCP-2000 ON-OFF

Document No: -



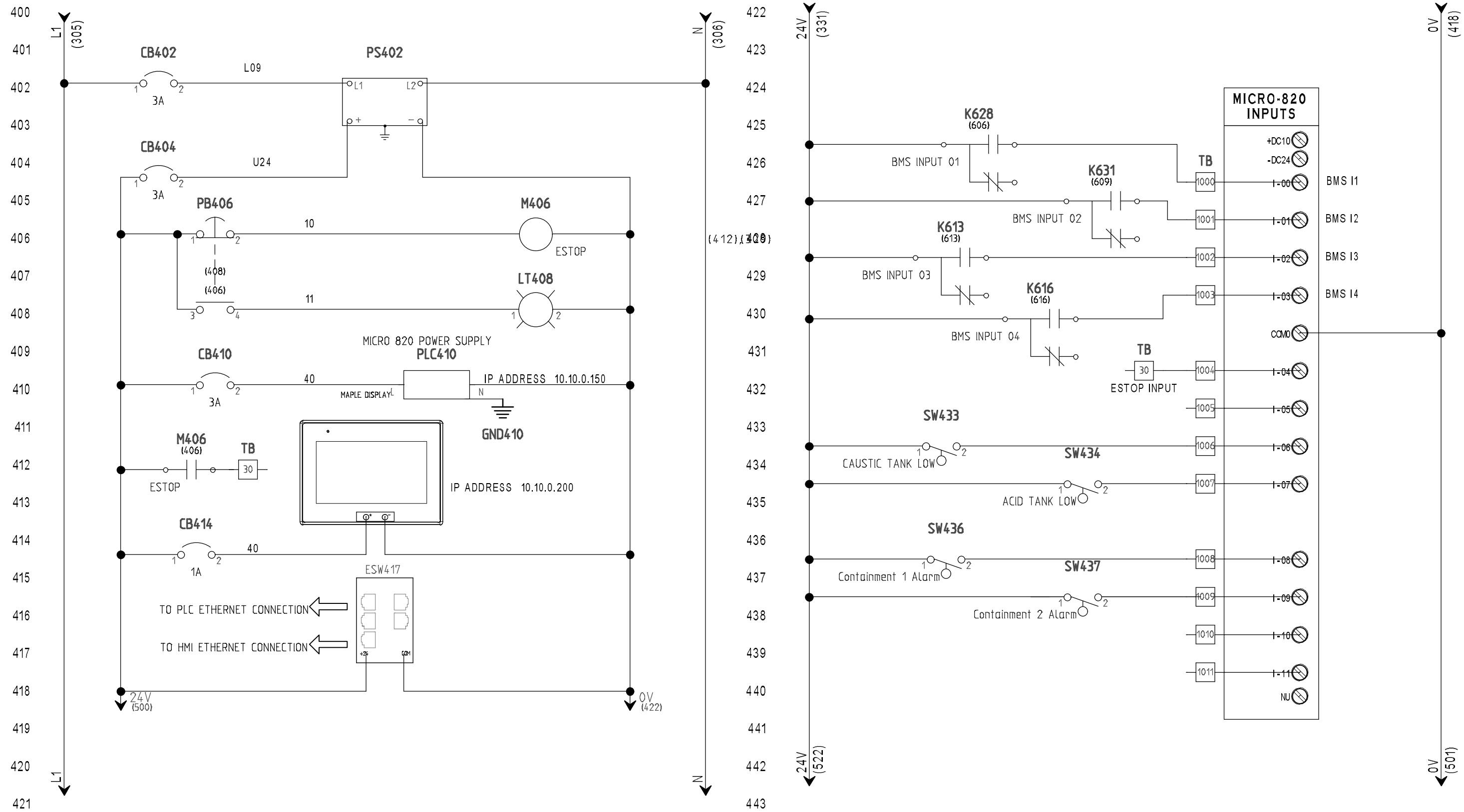
Modifications Since Previous Revision	
Modification #1	
Modification #2	
Modification #3	

T&C Single Tank pH Controller ON_OFF

Main Power/ Valve Power

Document Number: 122121_TC
 Sheet: 3 of 6
T&C Town & Country Plastics, LLC
 10 - B Timber Lane
 Marlboro, NJ 07746

Rev. Date: 10/11/2022 10:04:35 AM
 Cre. Date: 12/17/2018
 Rev.: 1
 Sheet Created by: M Vinciguerra

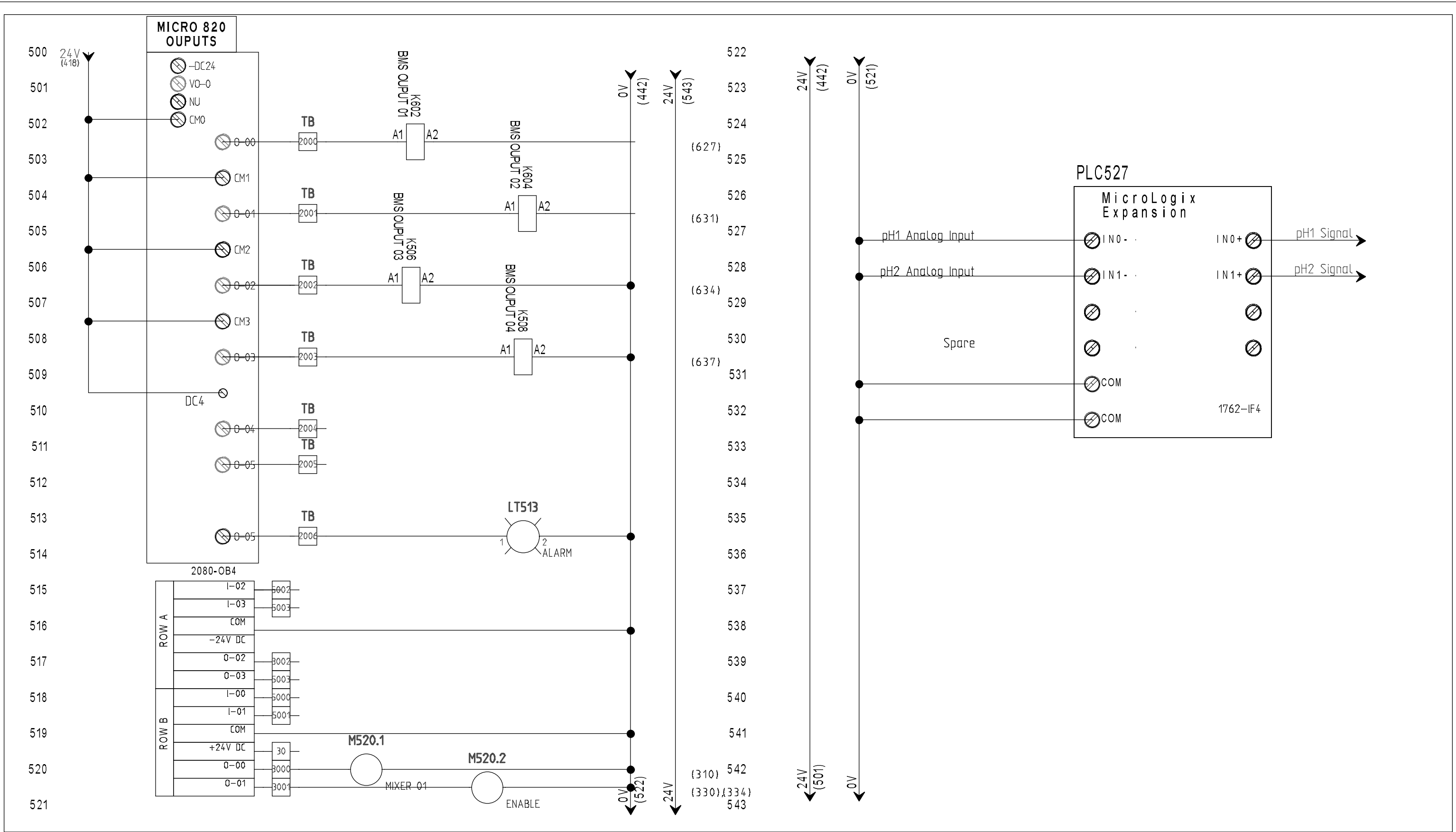


Modifications Since Previous Revision	
Modification #1	
Modification #2	
Modification #3	

T&C Single Tank pH Controller ON_OFF

DC Power/Estop Safety Relay

Document Number: 122121_TC	Sheet: 4 of 6	Rev. Date: 10/11/2022 10:04:35 AM	Rev.: 1
T&C Town & Country Plastics, LLC 10 - B Timber Lane Marlboro, NJ 07746		Cre. Date: 12/17/2018	Sheet Created by: M Vinciguerra



Modifications Since Previous Revision	
Modification #1	
Modification #2	
Modification #3	

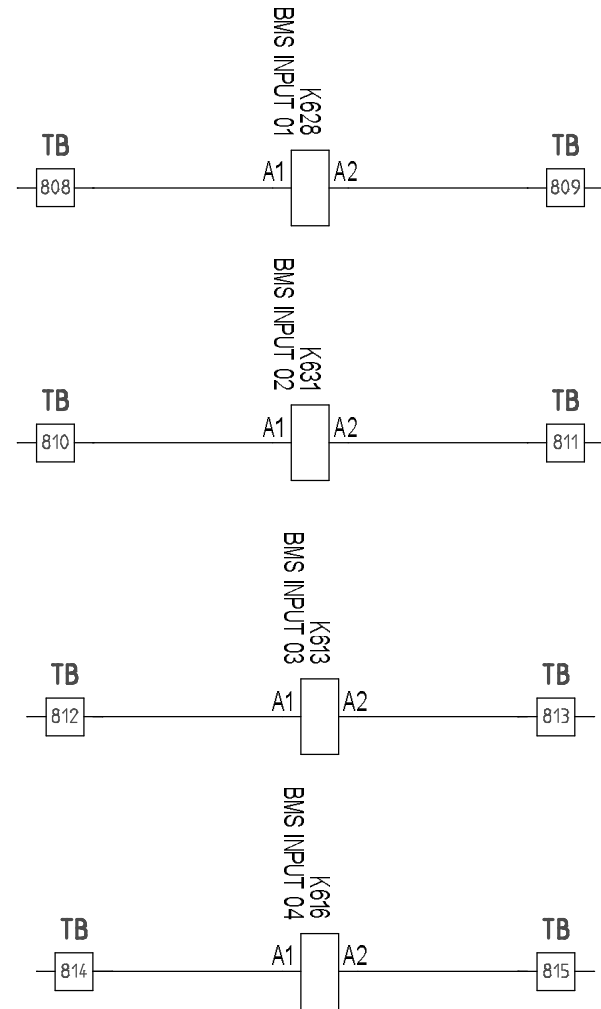
T&C Single Tank pH Controller ON_OFF

PLC Input/Output

Document Number: 122121_TC	Sheet: 5 of 6	Rev. Date: 10/11/2022 10:04:35 AM	Rev.: 1
T&C Town & Country Plastics, LLC 10 - B Timber Lane Marlboro, NJ 07746		Cre. Date: 4/4/2019	Sheet Created by: M Vinciguerra

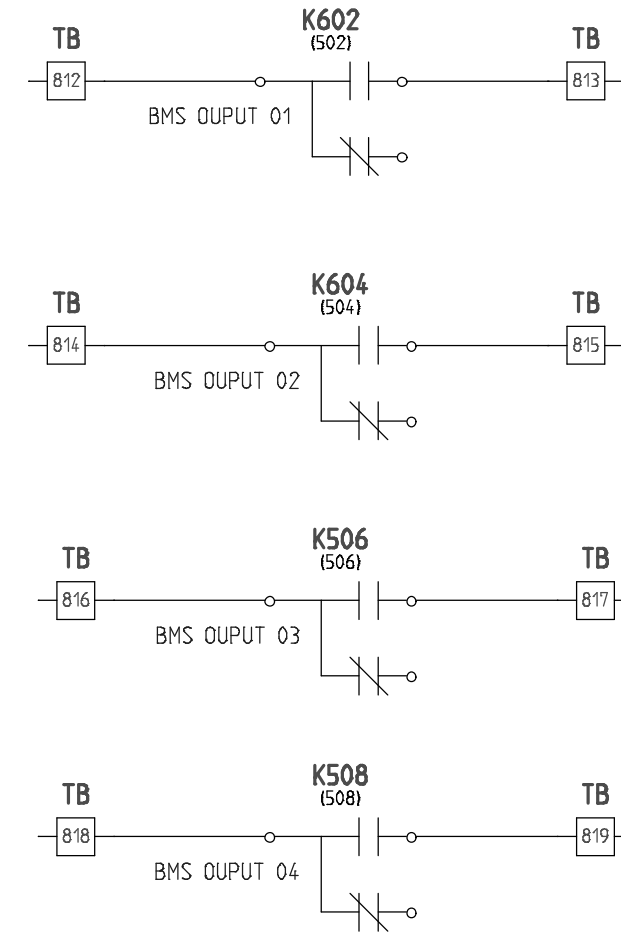
600
601
602
603
604
605
606
607
608
609
610
611
612
613
614
615
616
617
618
619
620
621

BMS DRY CONTACTS



622
623
624
625
626
627
(425) 628
629
630
(427) 631
632
633
634
(428) 635
636
637
(430) 638
639
640
641
642
643

BMS DRY CONTACTS



Modifications Since Previous Revision	
Modification #1	
Modification #2	
Modification #3	

T&C Single Tank pH Controller ON_OFF

BMS DRY CONTACTS

Document Number:
122121_TC

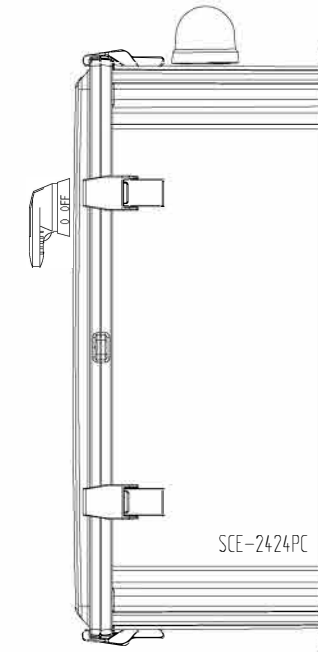
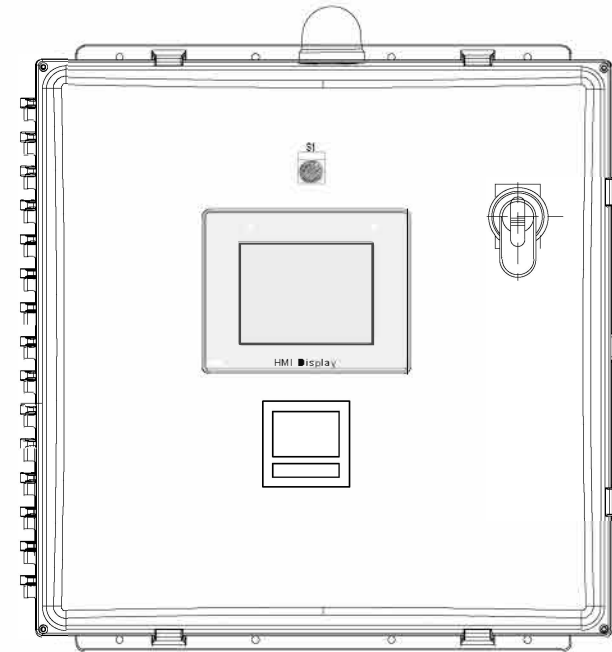
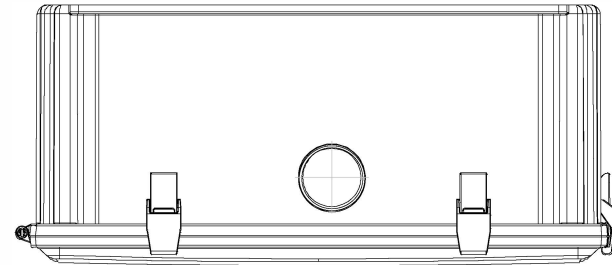
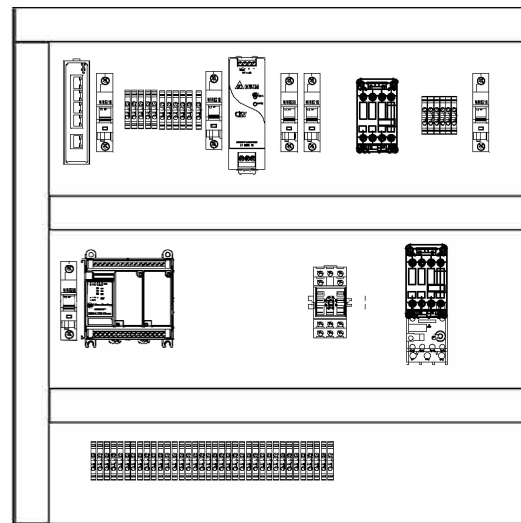
Sheet:
6 of 6

Rev. Date: 6/28/2022 1:21:48 PM
Cre. Date: 3/3/2021

Rev.:
1

T&C Town & Country Plastics, LLC
10 - B Timber Lane
Marlboro, NJ 07746

Sheet Created by:
M Vinciguerra



Modifications Since Previous Revision	
Modification #1	
Modification #2	
Modification #3	

T&C Single Tank pH Controller ON_OFF Enclosure Layout

Document Number: 122121_TC	Sheet: 2 of 6	Rev. Date: 6/28/2022 2:03:56 PM	Rev.:
Town & Country Plastics, LLC 10 - B Timber Lane Marlboro, NJ 07746		Cre. Date: 12/17/2018	
		Sheet Created by:	M Vinciguerra