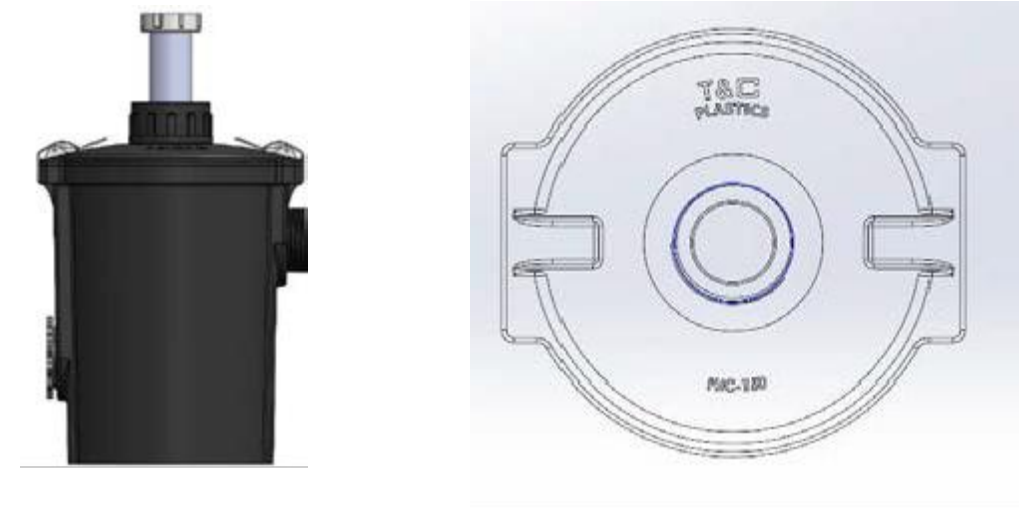


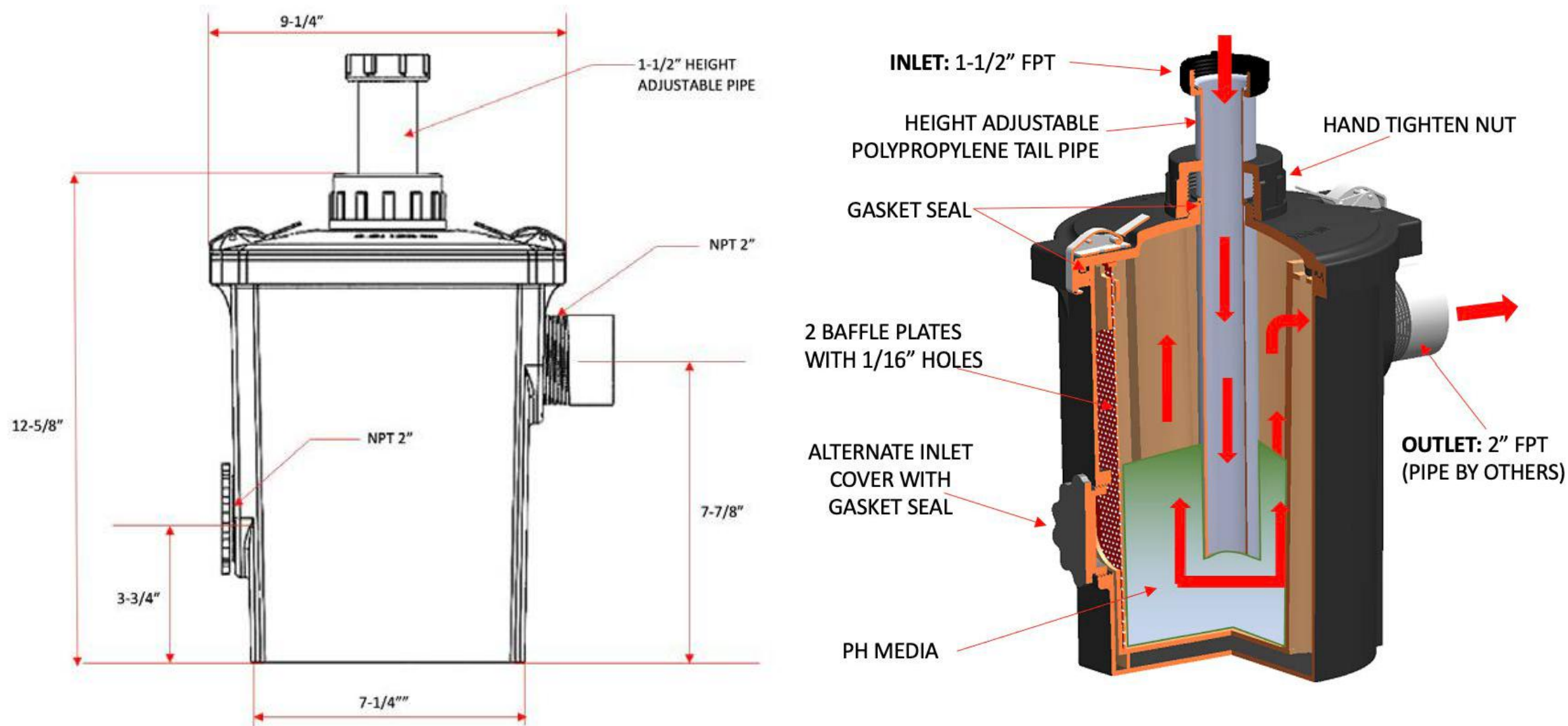
Acid Waste Cartridge Neutralization Unit Specification / Submittal Sheet Model PHC-150

Features:

Under Sink Installation with adjustable tailpiece to thread directly to sink strainer.
 Each system is capable of handling up to 8gpm.
 HDPE Molded Heavy Duty Body with 1.5 gallons liquid capacity.
 Cartridge comes with a full charge of media to be filled at install (T&C Model SLS-50).
 Option for use as Under Sink Solids Interceptor with Existing Side Inlet.



Specification: Point-of-use, below sink Acid Waste Neutralization Cartridge Unit, Model PHC-150 manufactured by T&C Plastics, LLC. Unit to be manufactured out of Heavy-Duty HDPE material with inside media bucket, adjustable 1 1/2" FPT Inlet with adjustable Polypropylene Tailpiece, 2 bafflers and 2" FPT outlet. Cartridge will have 1.5 gallons liquid capacity and come with (1) Fill of T&C Plastics SLS-50 Limestone Media. Unit to have 1.5 gallons of usable capacity and be capable of handling up to 8gpm.



Ordering:

QTY _____ PHC-150

OPTIONS:

- QTY _____ SLS-PHC Additional / replacement fill of media (Unit comes with One (1) Fill)
- QTY _____ 2" MPT Threaded Nipple for Outlet
- QTY _____ 2" - 1-1/2" Reducer
- QTY _____ 2" no hub-coupling for plain end pipe connections
- QTY _____ 1-1/2" no-hub coupling for plain end pipe connections

Unit can be used equally effectively as a Solid's Interceptor, T&C Model SI-1.5M / HDPE - See Separate Submittal Page

UNLESS STATED OTHERWISE DIMENSIONS ARE IN INCHES	MATERIAL: HDPE			MODEL PHC-150	NT SERIES	REV:	T&C PLASTICS WWW.TANDCPLASTICS.COM 732-780-5300	
	WEIGHT [lb]:		NAME		DATE	SHEET 1 OF 1		SIZE:
	DO NOT SCALE DRAWING		CHECKED		DR	09/10/2022		SCALE: 1:2

THE INFORMATION CONTAINED IN THIS DRAWING IS THE SOLE PROPERTY OF TOWN & COUNTRY PLASTICS LLC. ANY REPRODUCTION IN PART OR AS A WHOLE WITHOUT THE WRITTEN PERMISSION OF TOWN & PLASTICS LLC IS PROHIBITED.