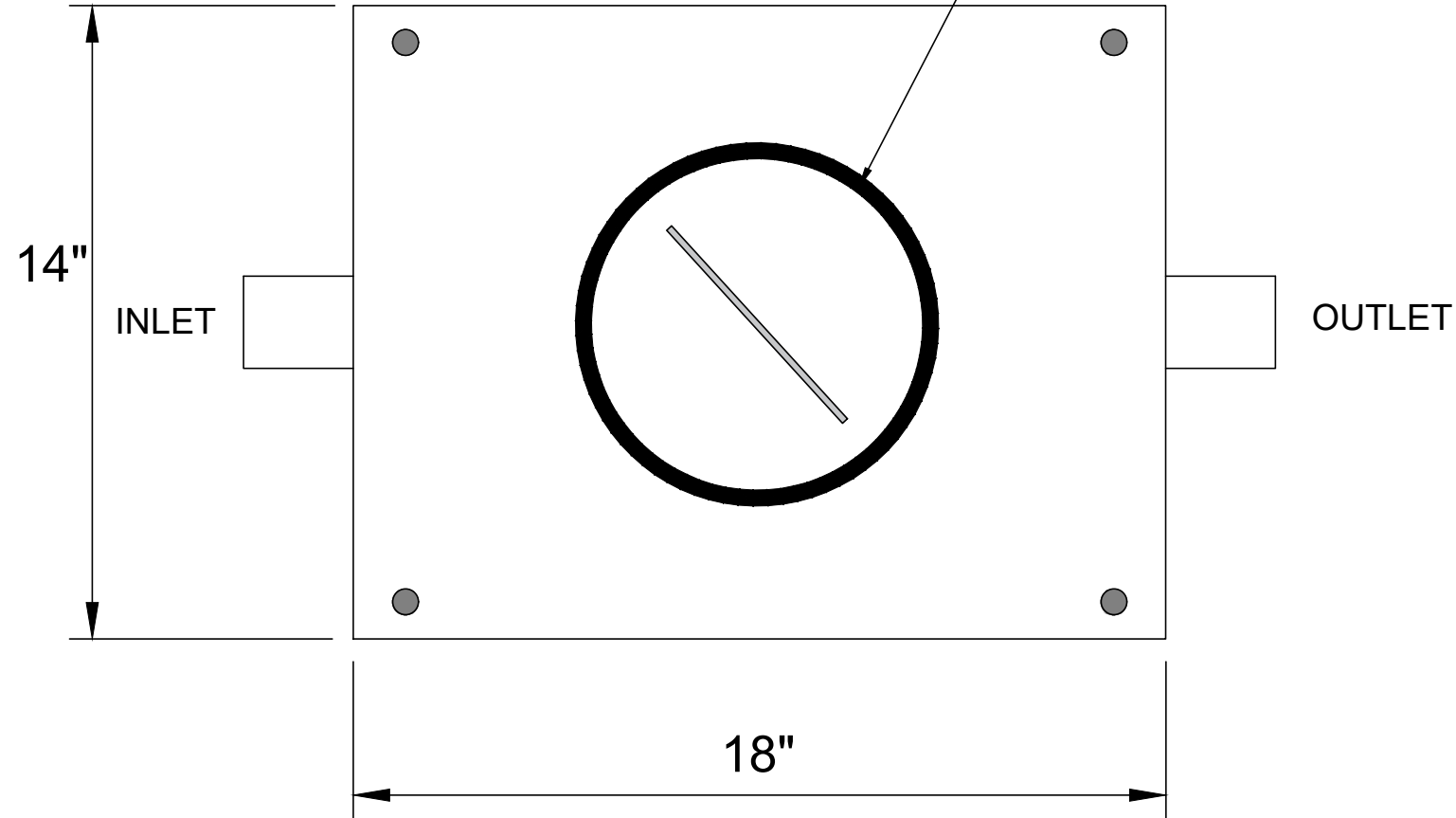


TOP VIEW

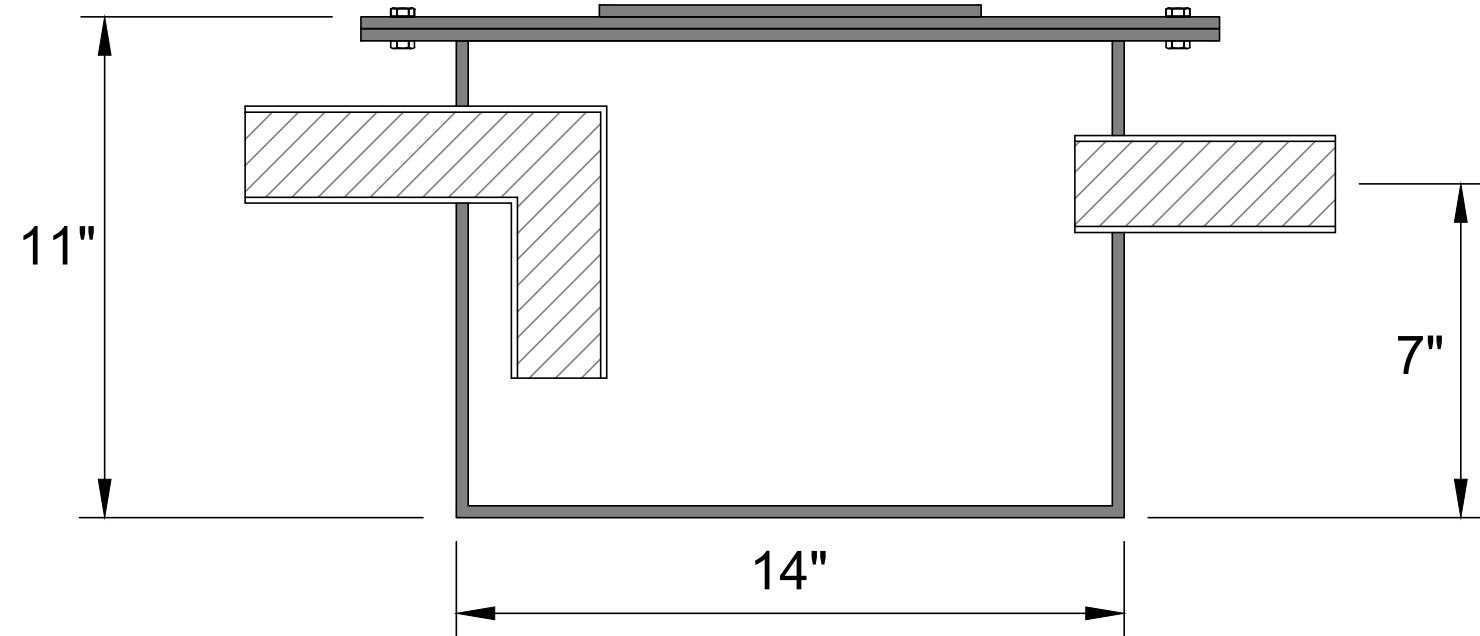
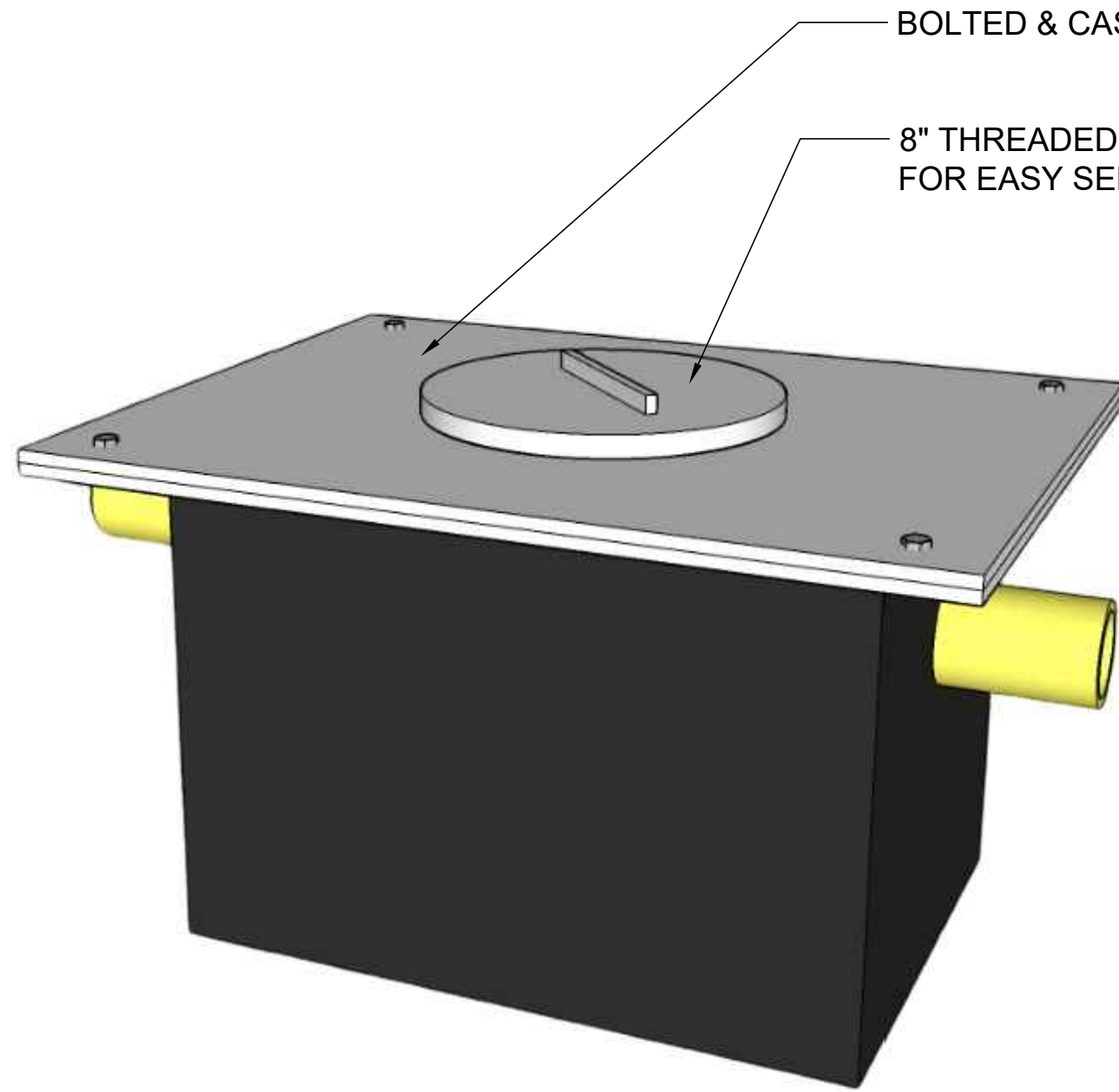
8" ACCESS COVER



	FITTING SIZE	FITTING TYPE (MPT OR PLAIN END)	FITTING CENTERLINE	FITTING CENTERLINE (IF DIFFERENT THAN STANDARD)
INLET	1 1/2" OR 2"		7"	
OUTLET	1 1/2" OR 2"		7"	
NOTES				

BOLTED & CASKETED COVER

8" THREADED ACCESS COVER FOR EASY SERVICING



SECTION VIEW

TANK GALLON CAPACITY: 3	WELDED BY:	UNLESS STATED OTHERWISE DIMENSIONS ARE IN INCHES	MATERIAL: HDPE - ASTM 2148			TITLE: NTR-5A HDPE	NTR SERIES	REV:	T&C PLASTICS WWW.TANDCPLASTICS.COM 732-780-5300	
TANK GALLON CAPACITY WITH LIMESTONE: 1	COMPLETED BY:		WEIGHT [lb]: 10 LBS.	NAME	DATE			SHEET 1 OF 1		SIZE:
LIMESTONE REQUIRED: 50 LBS.	REVIEWED BY:		DO NOT SCALE DRAWING	DRAWN	DR			08/30/2022		SCALE: 1:2
<p>THE INFORMATION CONTAINED IN THIS DRAWING IS THE SOLE PROPERTY OF TOWN & COUNTRY PLASTICS LLC. ANY REPRODUCTION IN PART OR AS A WHOLE WITHOUT THE WRITTEN PERMISSION OF TOWN & PLASTICS LLC IS PROHIBITED.</p>										