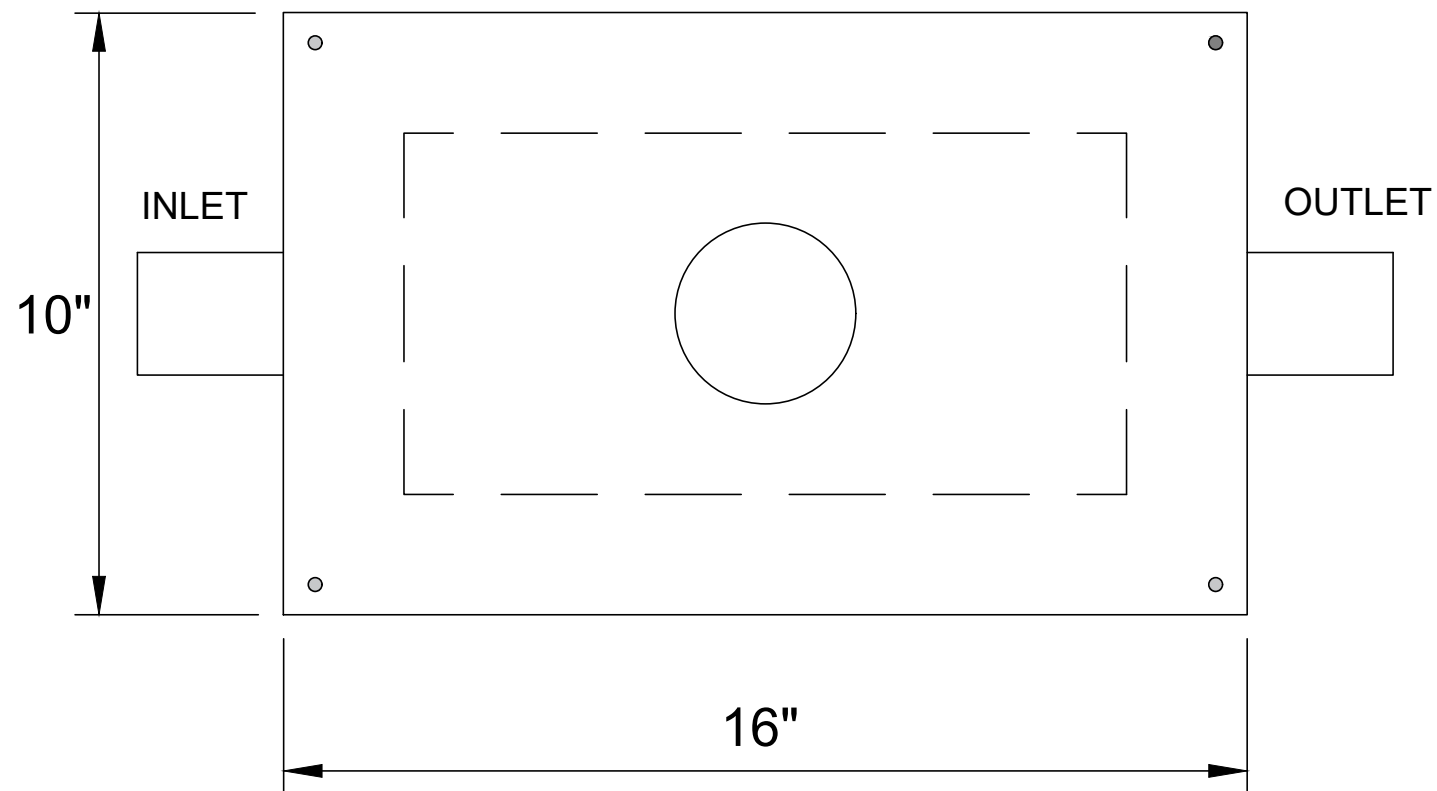


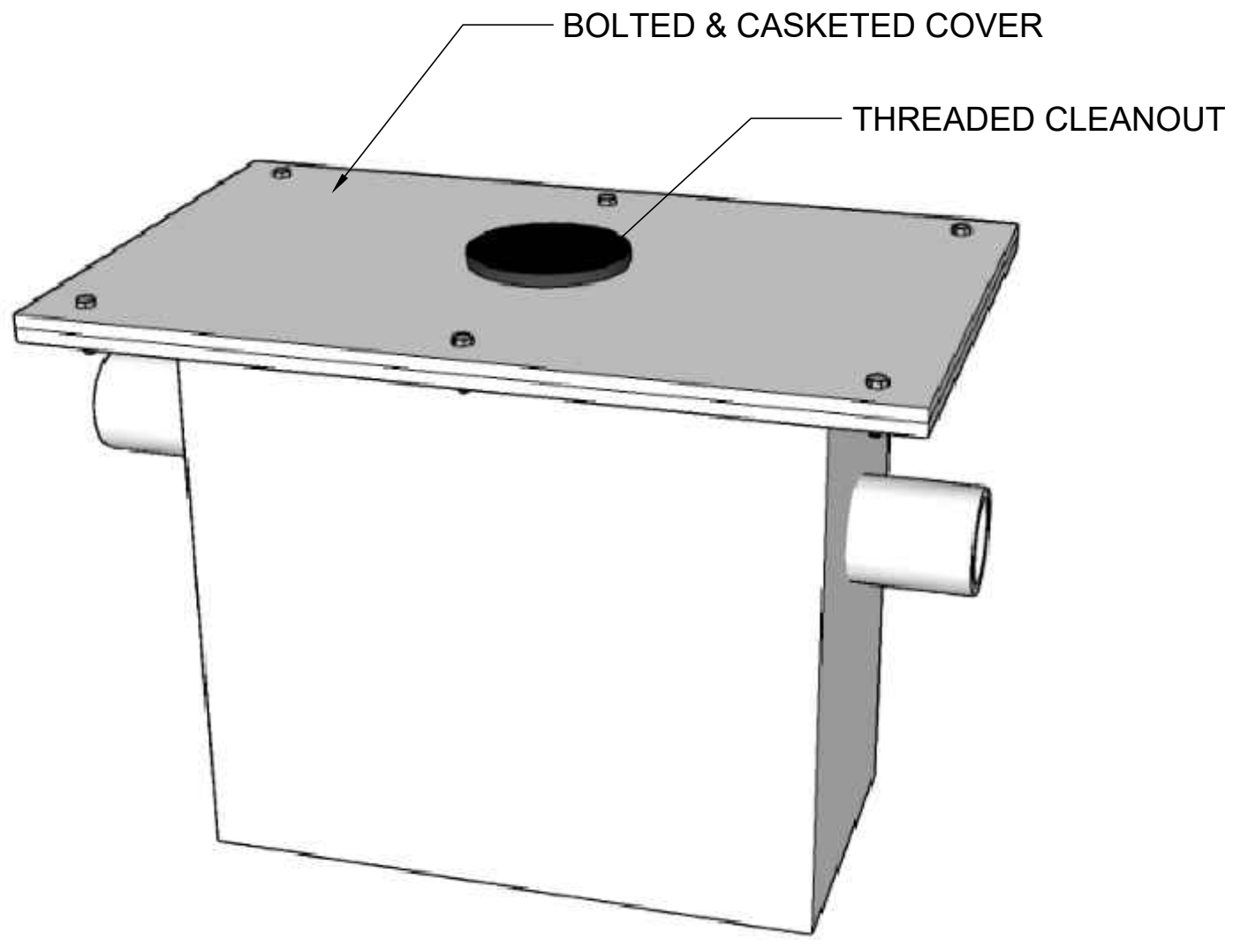
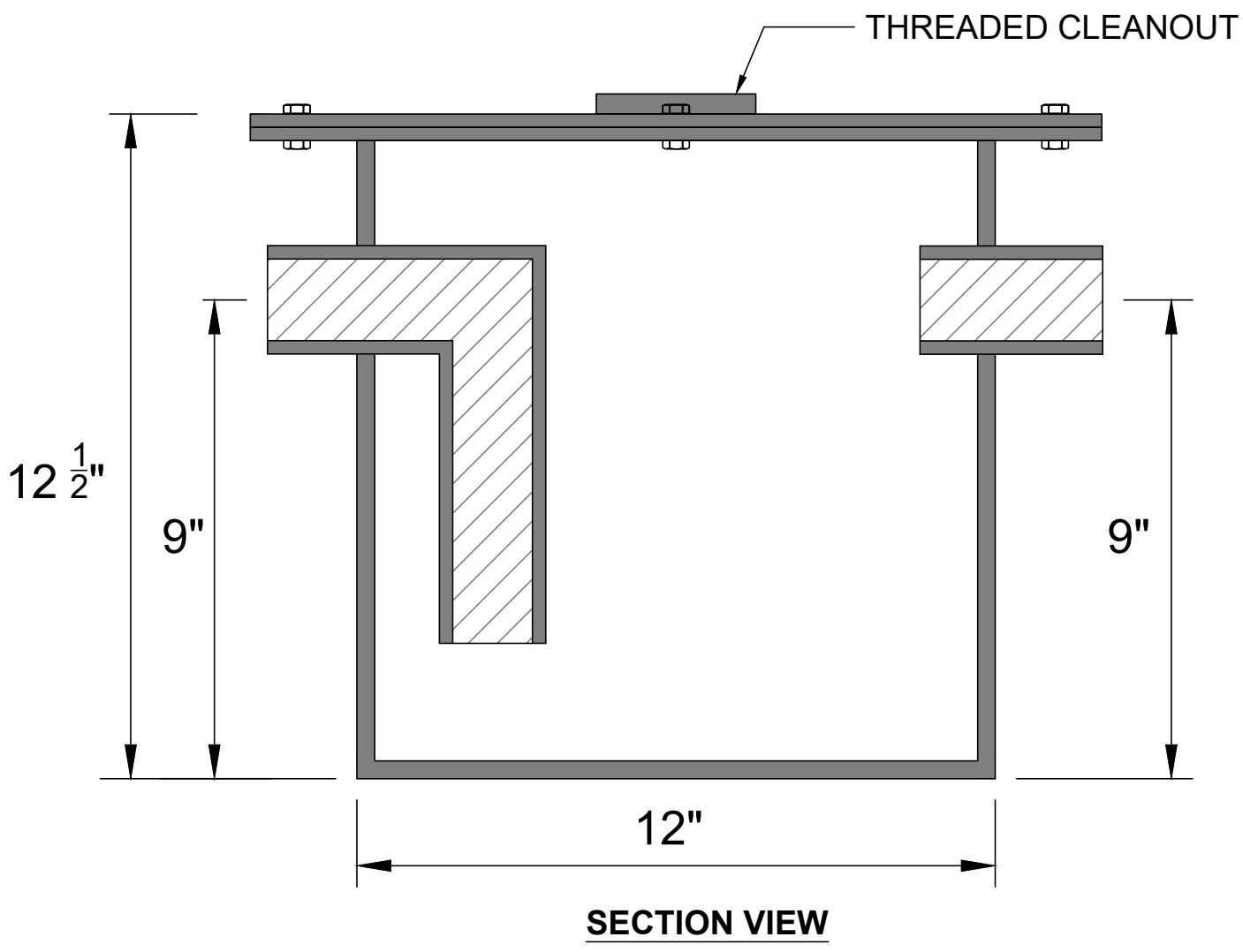
4 | 3 | 2 | 1

D | TOP VIEW | D



	FITTING SIZE	FITTING TYPE (MPT OR PLAIN END)	FITTING CENTERLINE	FITTING CENTERLINE (IF DIFFERENT THAN STANDARD)
INLET	1 1/2" OR 2"		9"	
OUTLET	1 1/2" OR 2"		9"	
NOTES				

C | SECTION VIEW | C



B | SECTION VIEW | B

TANK GALLON CAPACITY: 2	WELDED BY:	UNLESS STATED OTHERWISE DIMENSIONS ARE IN INCHES	MATERIAL: HDPE - ASTM 2148			TITLE: NTR-3A HDPE	NTR SERIES	REV:	 WWW.TANDCPLASTICS.COM 732-780-5300	
TANK GALLON CAPACITY WITH LIMESTONE: .75	COMPLETED BY:		WEIGHT [lb]:	NAME	DATE			SHEET 1 OF 1		SIZE:
LIMESTONE REQUIRED: 25 LBS.	REVIEWED BY:		DO NOT SCALE DRAWING	CHECKED	08/30/2022			SCALE: 1:2		
THE INFORMATION CONTAINED IN THIS DRAWING IS THE SOLE PROPERTY OF TOWN & COUNTRY PLASTICS LLC. ANY REPRODUCTION IN PART OR AS A WHOLE WITHOUT THE WRITTEN PERMISSION OF TOWN & PLASTICS LLC IS PROHIBITED.										

4 | 3 | 2 | 1