

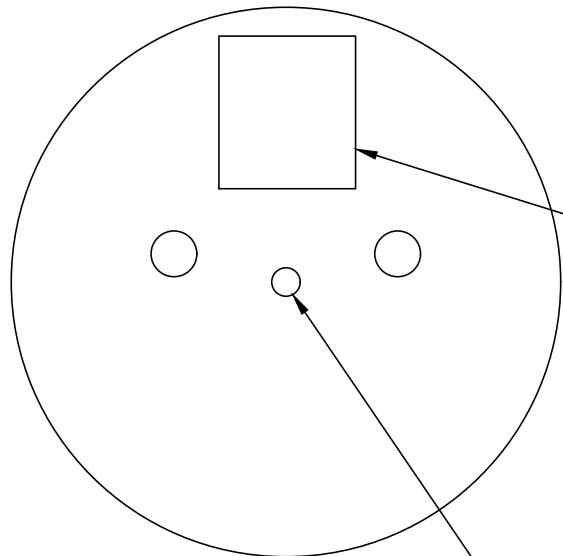
4

3

2

1

**TOP VIEW**



B-111 CHEMICAL FEED PUMP

1 1/4" FPT

B-111 CHEMICAL FEED PUMP

CHEMICAL INLET

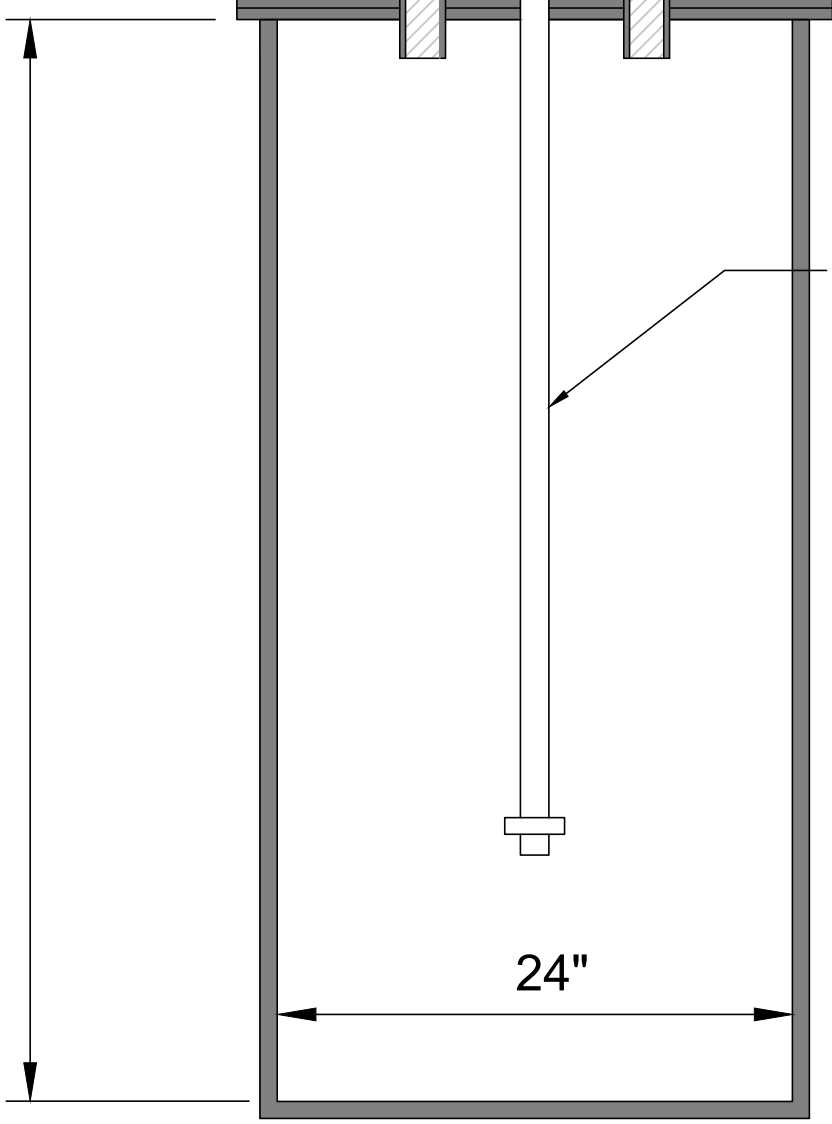
2" VENT

LOW LEVEL FLOAT ASSEMBLY

48"

24"

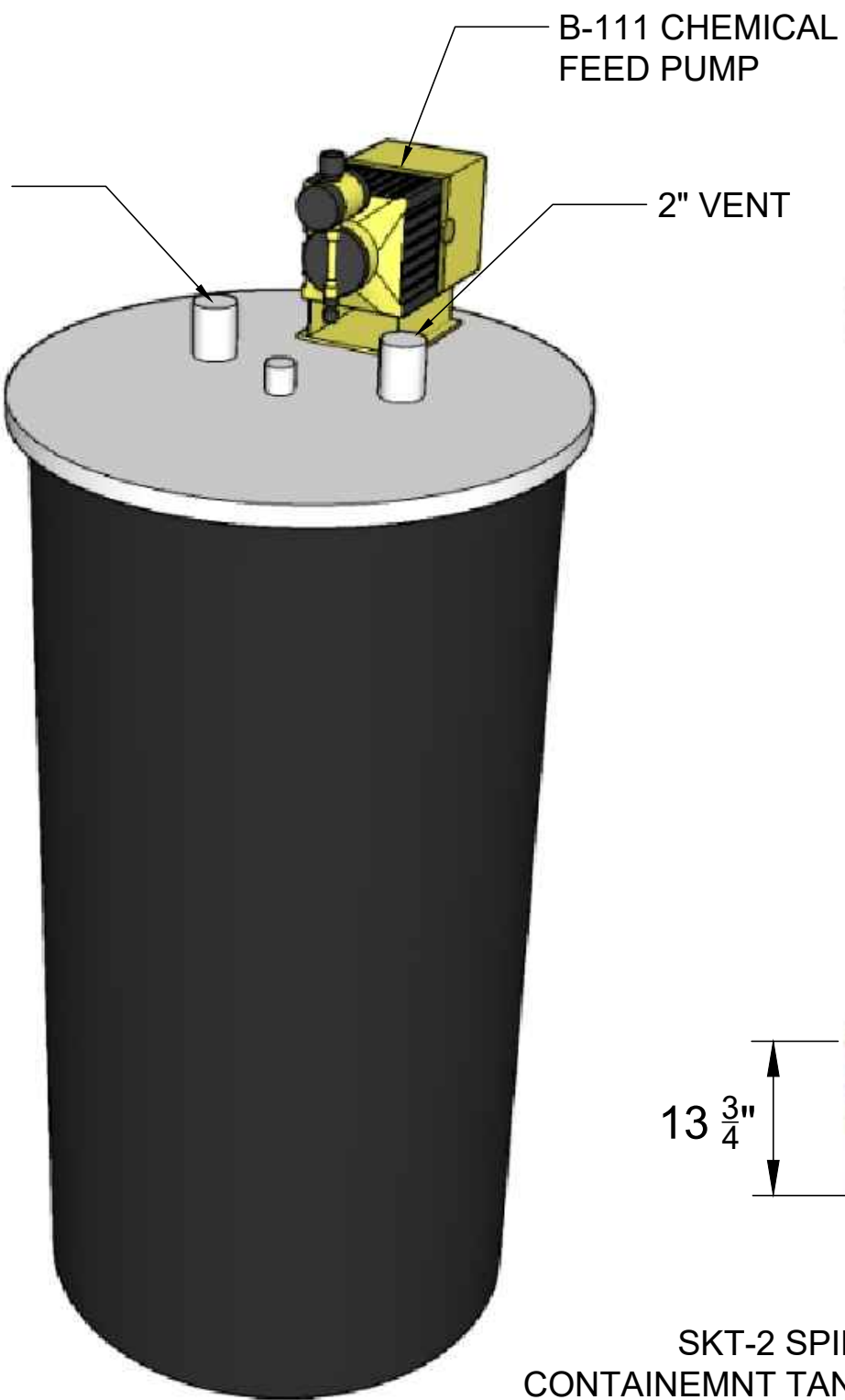
**SECTION VIEW**



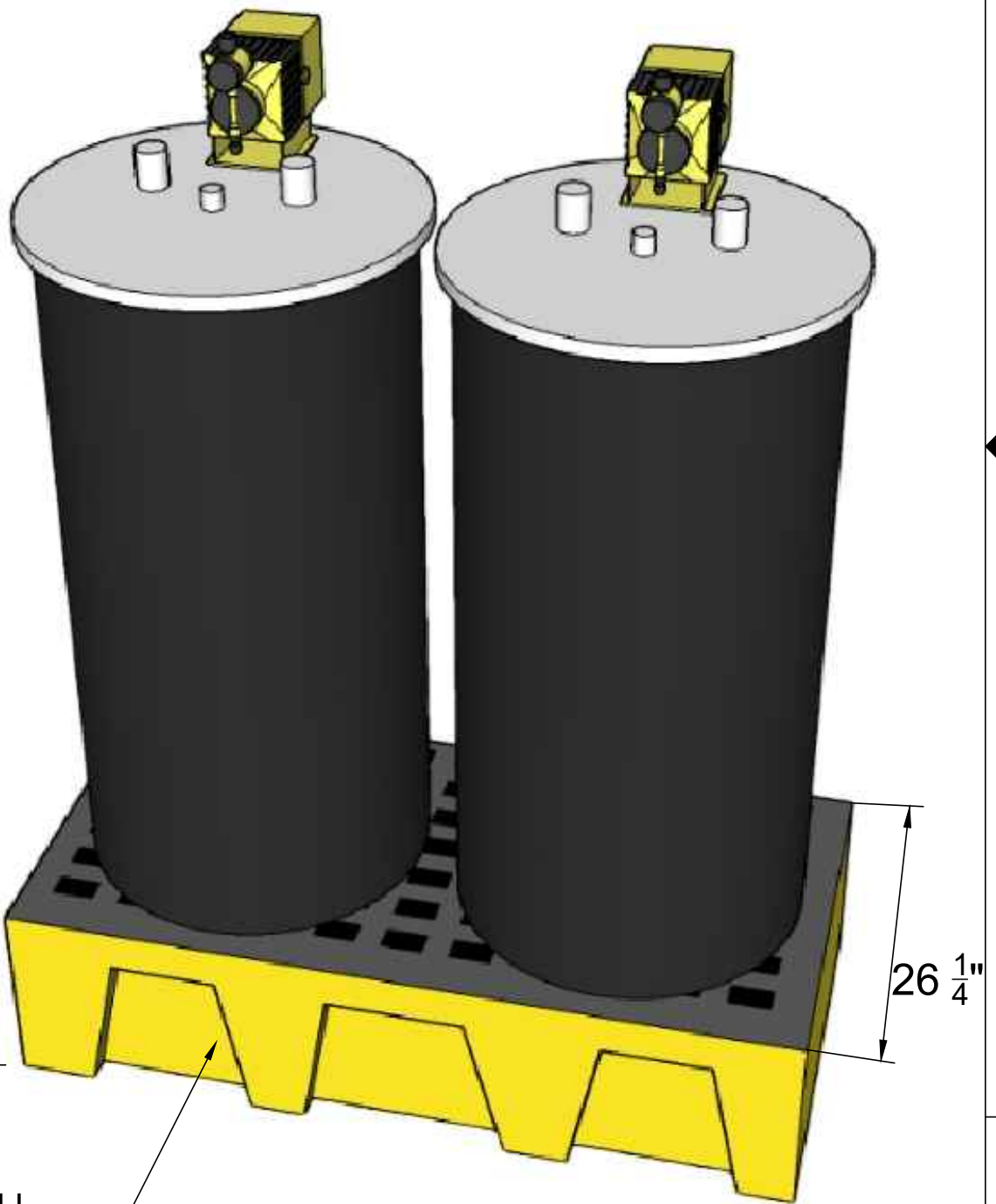
**TC LMI B-111 CHEMICAL FEED PUMPS INSTALLED ON TANK COVER**



**SKT-2 SPILL CONTAINMENT TANK**



**SKT-2 SPILL CONTAINMENT TANK**



WELDED BY:	UNLESS STATED OTHERWISE DIMENSIONS ARE IN INCHES	MATERIAL:	HDPE			TITLE:	NTD SERIES	REV:	 WWW.TANDCPLASTICS.COM 732-780-5300
COMPLETED BY:		WEIGHT [lb]:	DRAWN	DR	DATE	SHEET 1 OF 1	SIZE:		
REVIEWED BY:		DO NOT SCALE DRAWING	CHECKED			SCALE: 1:2			

THE INFORMATION CONTAINED IN THIS DRAWING IS THE SOLE PROPERTY OF TOWN & COUNTRY PLASTICS LLC. ANY REPRODUCTION IN PART OR AS A WHOLE WITHOUT THE WRITTEN PERMISSION OF TOWN & PLASTICS LLC IS PROHIBITED.

4

3

2

1