

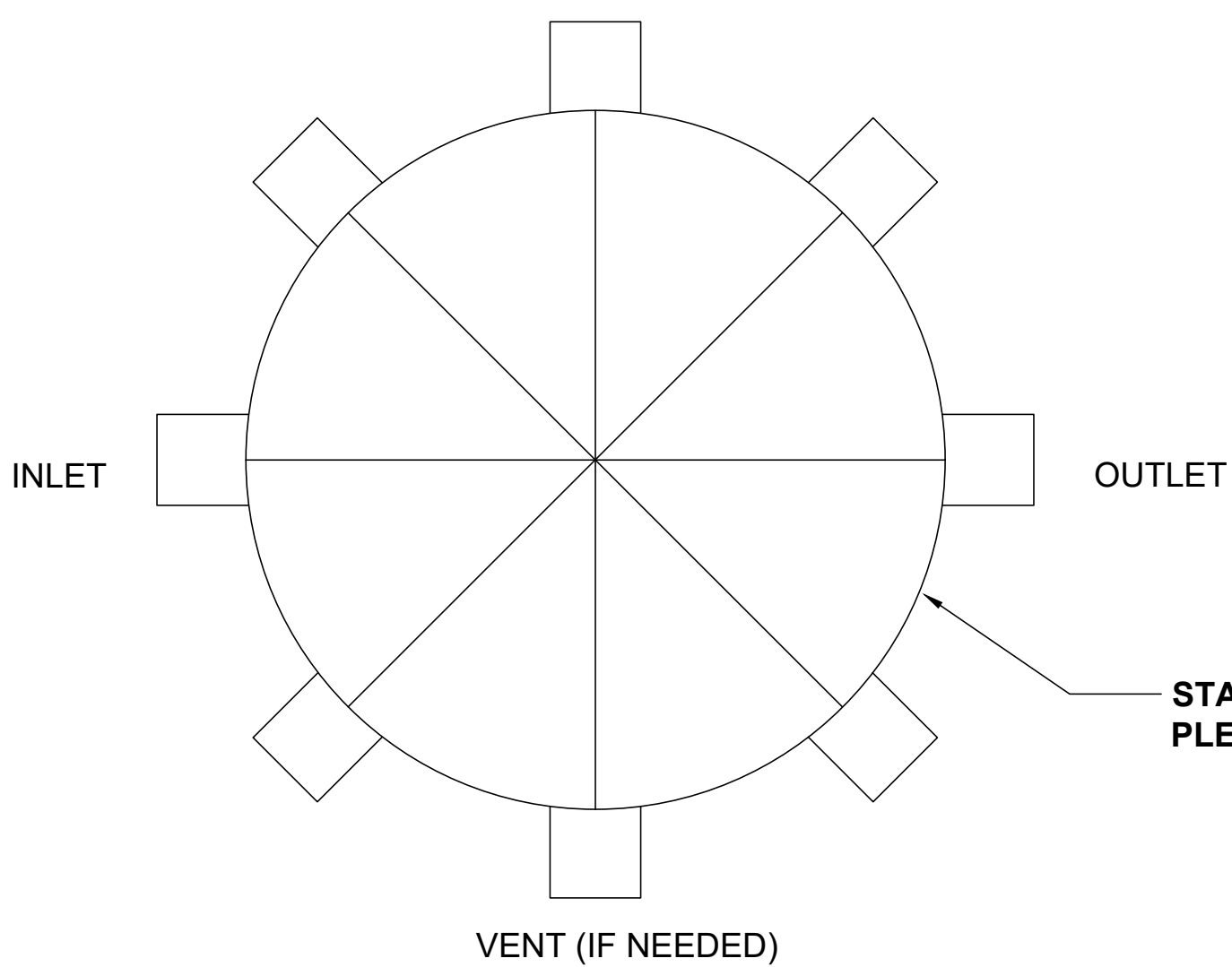
4

3

2

1

TOP VIEW

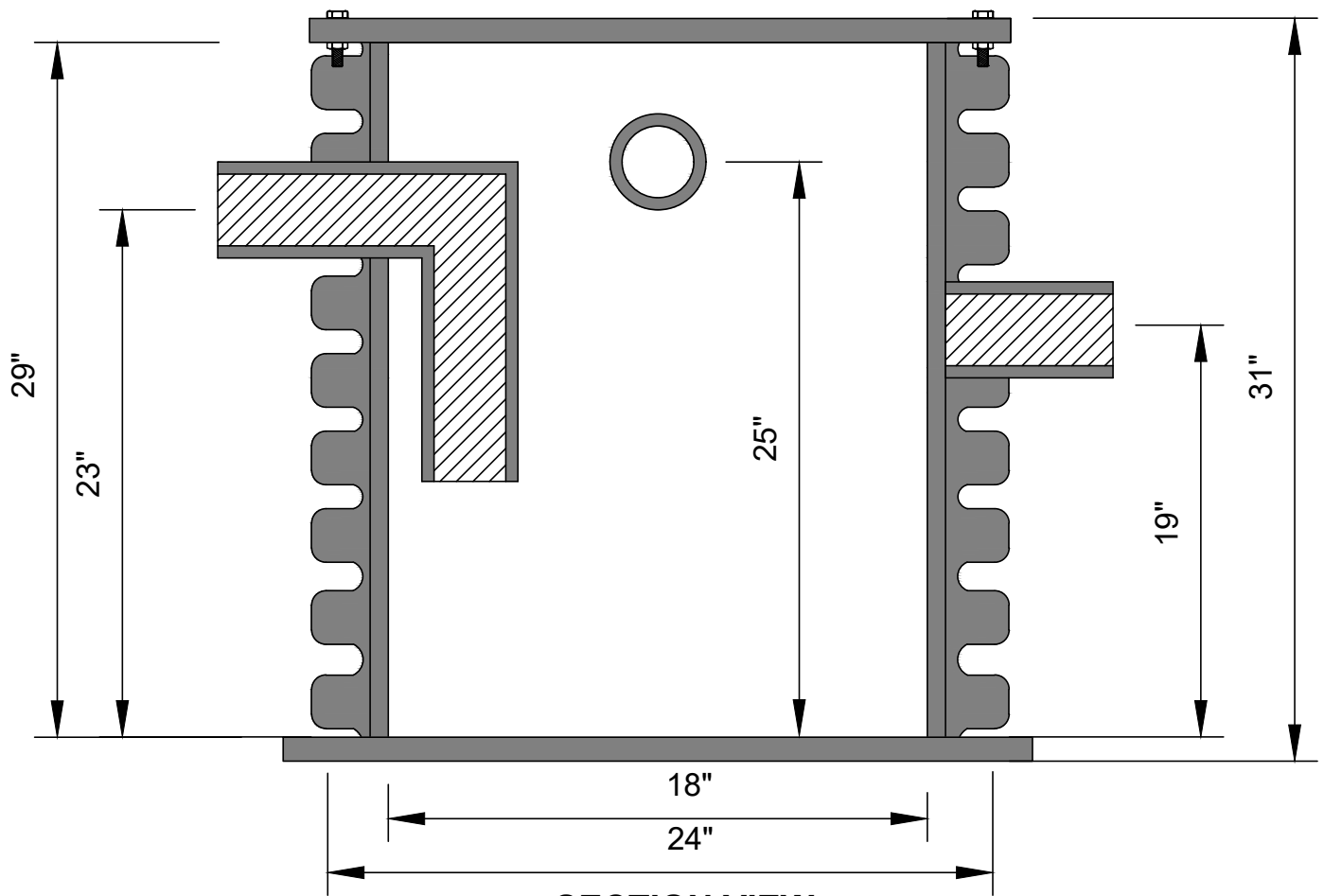


	FITTING SIZE	FITTING TYPE (MPT OR PLAIN END)	FITTING CENTERLINE	FITTING CENTERLINE (IF DIFFERENT THAN STANDARD)
INLET			23"	
OUTLET			19"	
VENT (IF NEEDED)			25"	

OPTIONS (CIRCLE)	
EXTENSION TO GRADE	_____ (FILL IN HEIGHT REQUIRED FROM BASE TO TOP OF COVER)
HD COVER	1/8" STEEL OVER POLYPRO FOR HEAVY PEDESTRIAN TRAFFIC
VEHICULAR TRAFFIC COVER	

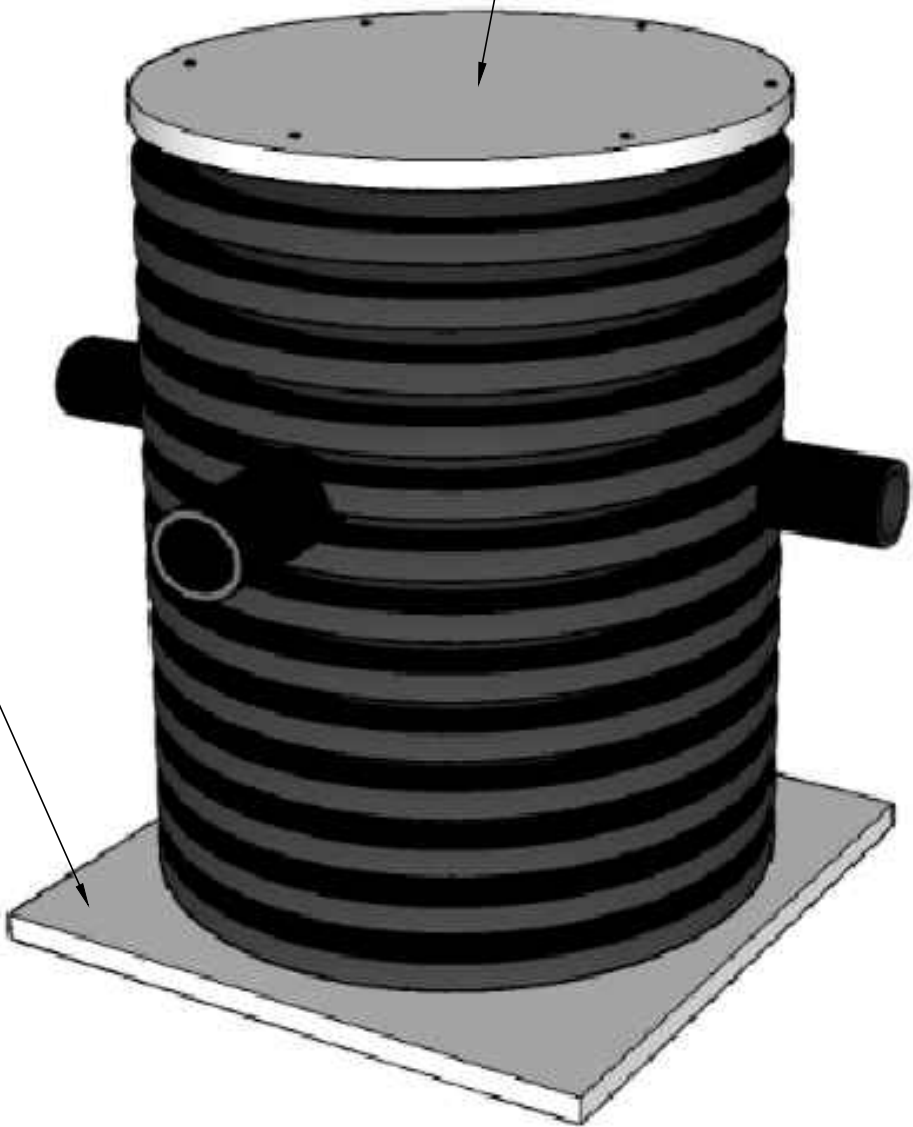
STANDARD FITTING LOCATIONS SHOWN. PLEASE CIRCLE CHANGES ON TOP VIEW

STANDARD COVER SHOWN:
1" THICK POLYPROPYLENE COVER
SEE ABOVE FOR OTHER COVER OPTIONS



SECTION VIEW

1" SQUARE BASE



TANK GALLON CAPACITY:
19

WELDED BY:

MATERIAL:
HDPE

TITLE:
**NTB-30 / HDPE
DIRECT BURIAL TANK**

NTB SERIES

REV:

**T&C
PLASTICS**
WWW.TANDCPLASTICS.COM
732-780-5300

TANK GALLON CAPACITY
WITH LIMESTONE: **6**

COMPLETED BY:

WEIGHT [lb]: 35 LBS.	NAME	DATE
	DRAWN	DR
	CHECKED	

SHEET 1 OF 1

SIZE:

LIMESTONE REQUIRED:
200 LBS.

REVIEWED BY:

DO NOT SCALE DRAWING

SCALE: 1:2

THE INFORMATION CONTAINED IN THIS DRAWING IS THE SOLE PROPERTY OF TOWN & COUNTRY PLASTICS LLC. ANY REPRODUCTION IN PART OR AS A WHOLE WITHOUT THE WRITTEN PERMISSION OF TOWN & PLASTICS LLC IS PROHIBITED.

4

3

2

1

D

D

C

C

B

B

A

A