

4 | 3 | 2 | 1

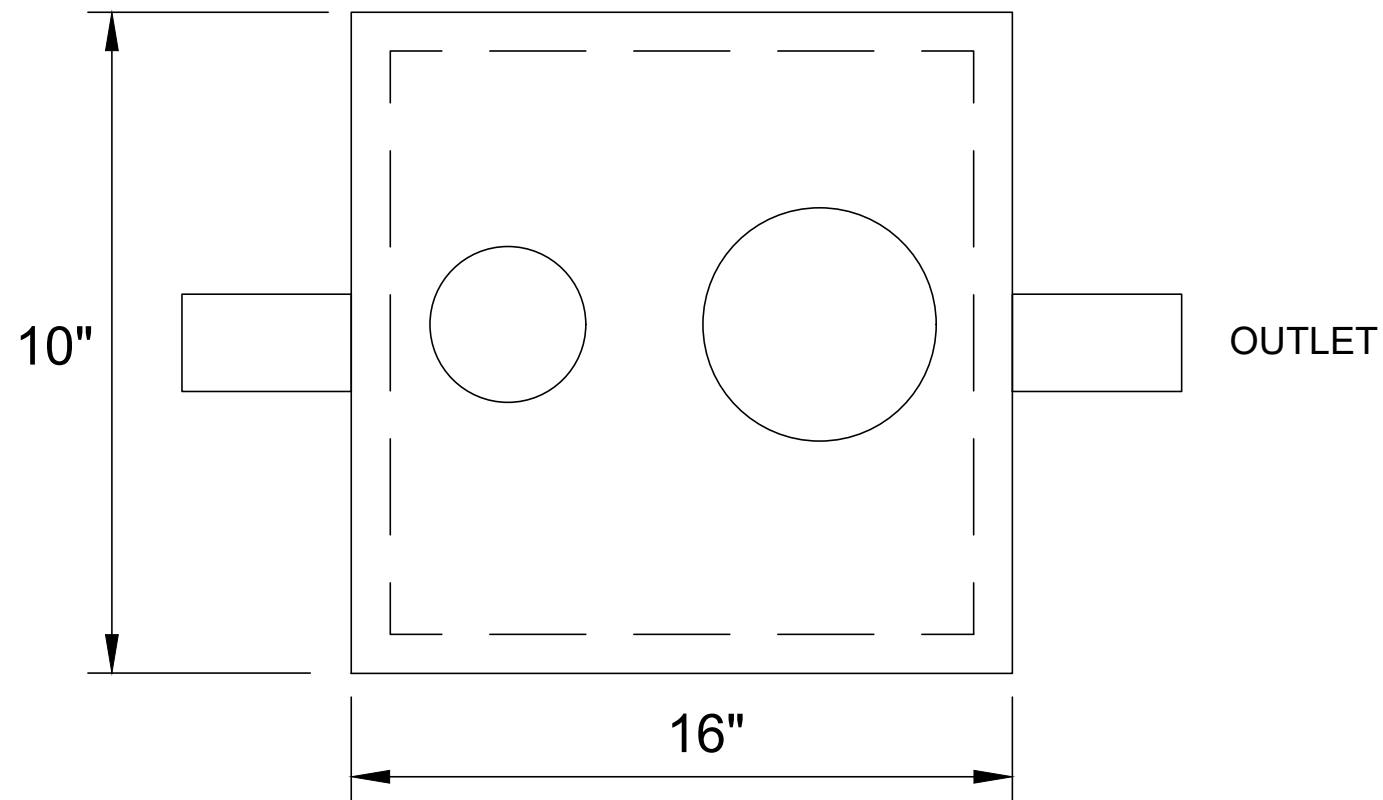
D

C

B

A

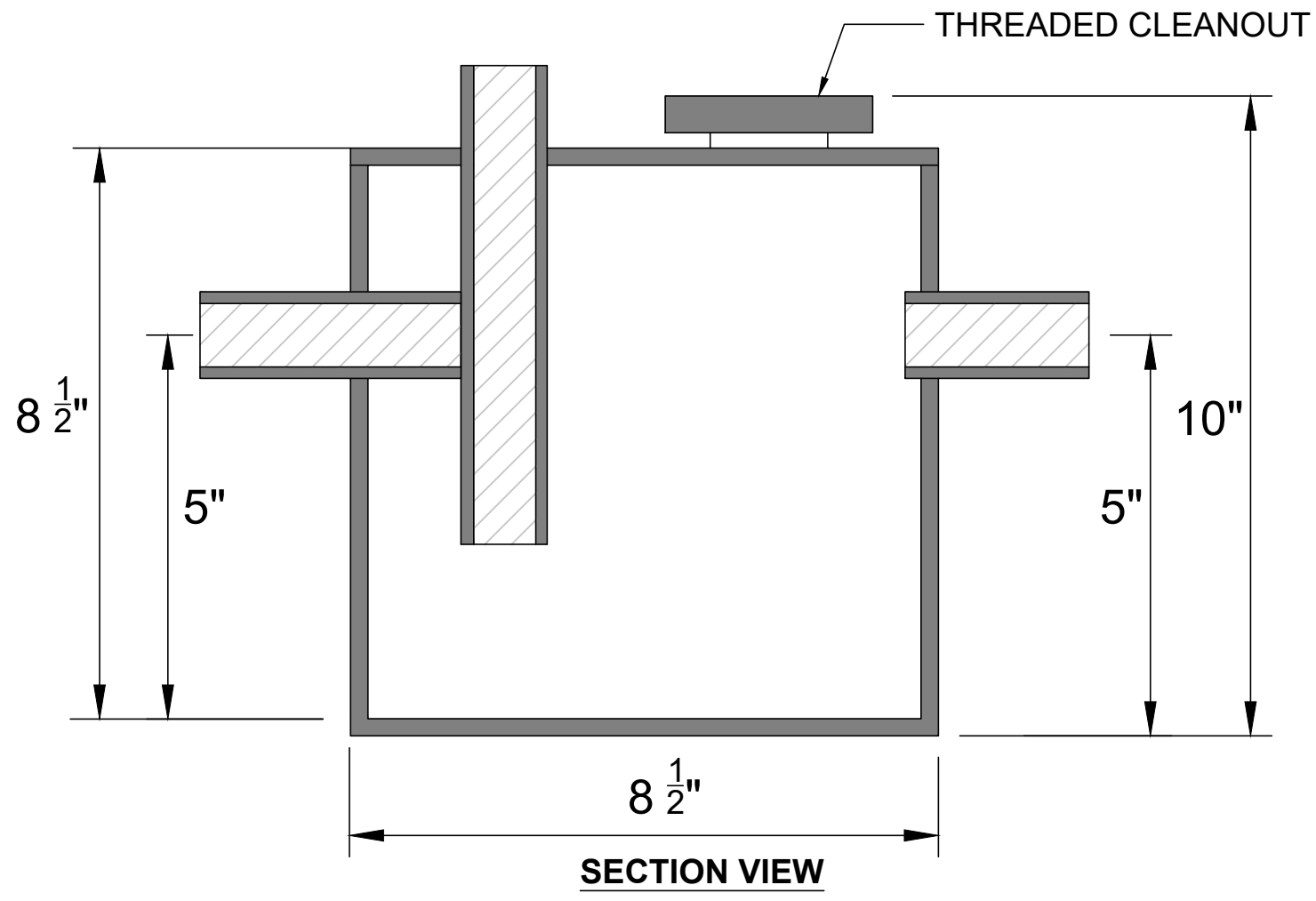
TOP VIEW



OUTLET

16"

10"



THREADED CLEANOUT

SECTION VIEW

8 1/2"

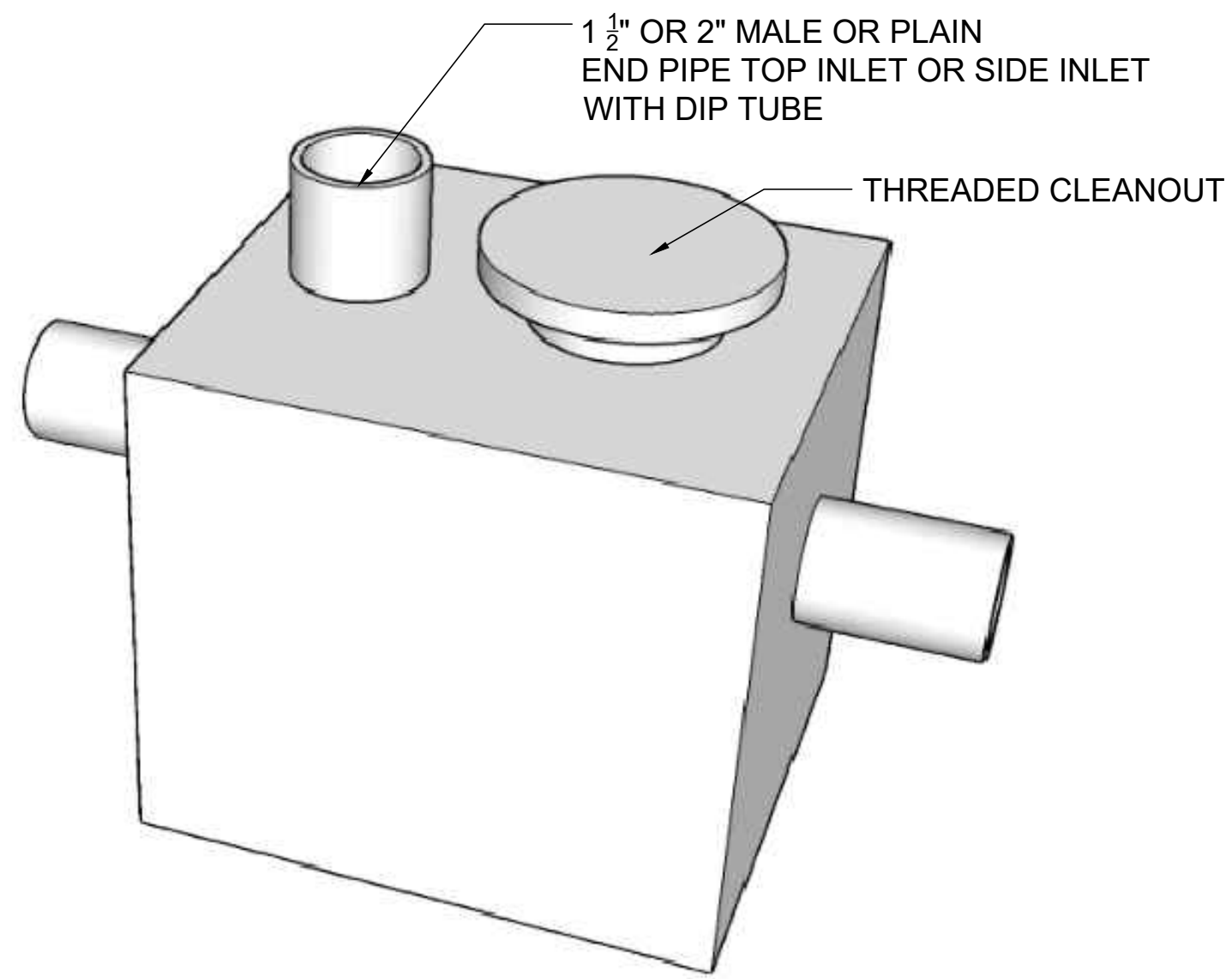
5"

5"

10"

8 1/2"

	FITTING SIZE	FITTING TYPE (MPT OR PLAIN END)	FITTING CENTERLINE	FITTING CENTERLINE (IF DIFFERENT THAN STANDARD)
INLET	1 1/2" OR 2"		5"	
OUTLET	1 1/2" OR 2"		5"	
NOTES				



1 1/2" OR 2" MALE OR PLAIN END PIPE TOP INLET OR SIDE INLET WITH DIP TUBE

THREADED CLEANOUT

TANK GALLON CAPACITY: 1 1/2	WELDED BY:	UNLESS STATED OTHERWISE DIMENSIONS ARE IN INCHES	MATERIAL: HDPE - ASTM 2148			TITLE: NT-2A HDPE-S	NT SERIES	REV:	 WWW.TANDCPLASTICS.COM 732-780-5300
TANK GALLON CAPACITY WITH LIMESTONE:	COMPLETED BY:		WEIGHT [lb]:	NAME	DATE		SHEET 1 OF 1	SIZE:	
LIMESTONE REQUIRED:	REVIEWED BY:		DO NOT SCALE DRAWING	CHECKED			SCALE: 1:2		
THE INFORMATION CONTAINED IN THIS DRAWING IS THE SOLE PROPERTY OF TOWN & COUNTRY PLASTICS LLC. ANY REPRODUCTION IN PART OR AS A WHOLE WITHOUT THE WRITTEN PERMISSION OF TOWN & PLASTICS LLC IS PROHIBITED.									

4 | 3 | 2 | 1