

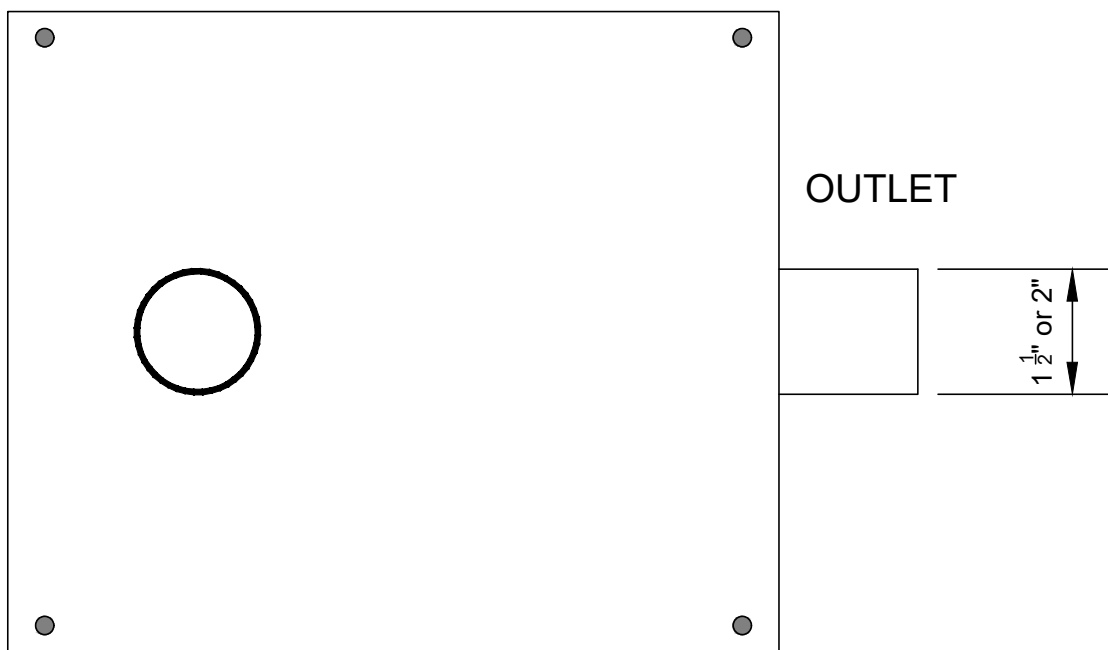
4

3

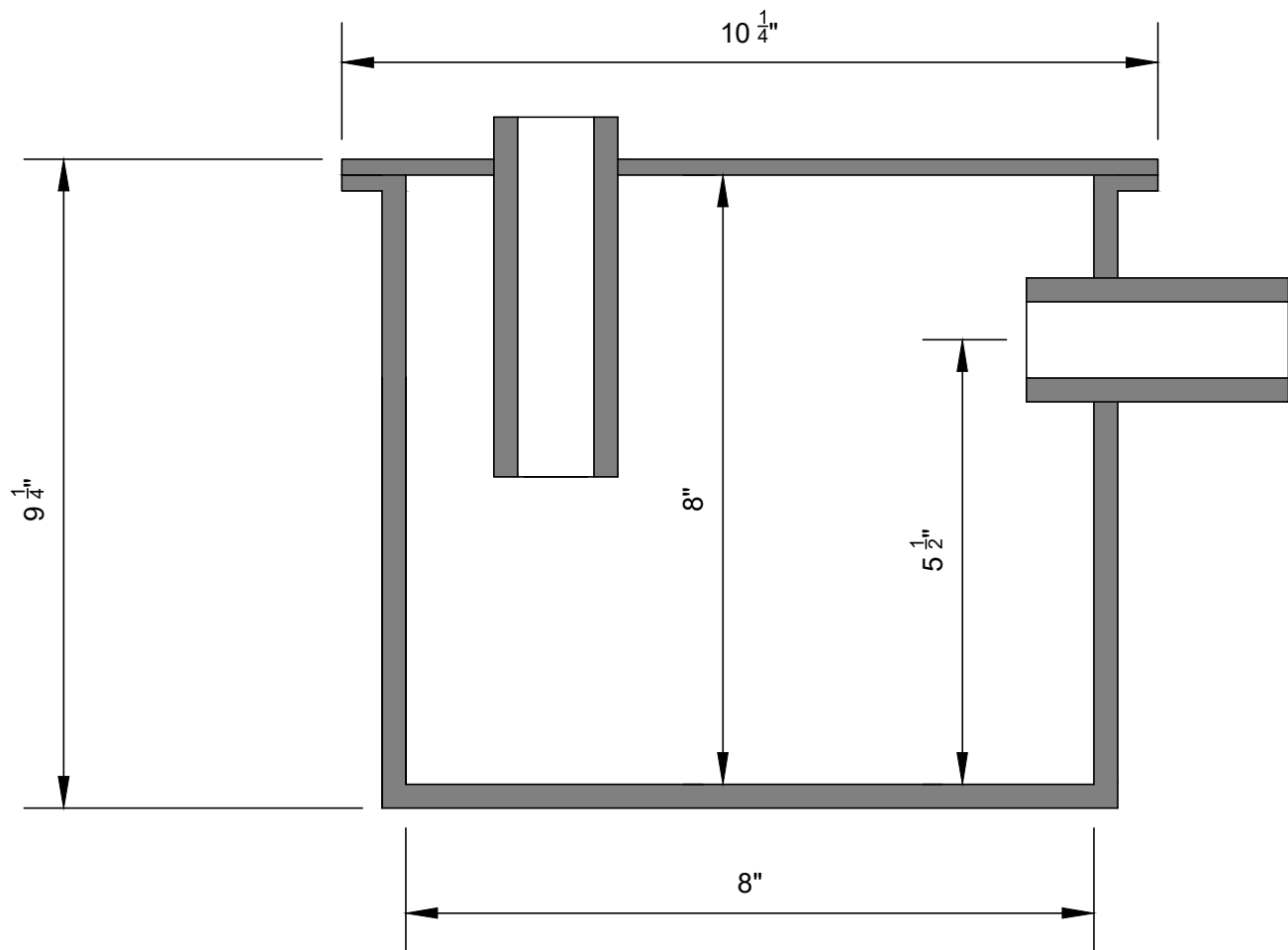
2

1

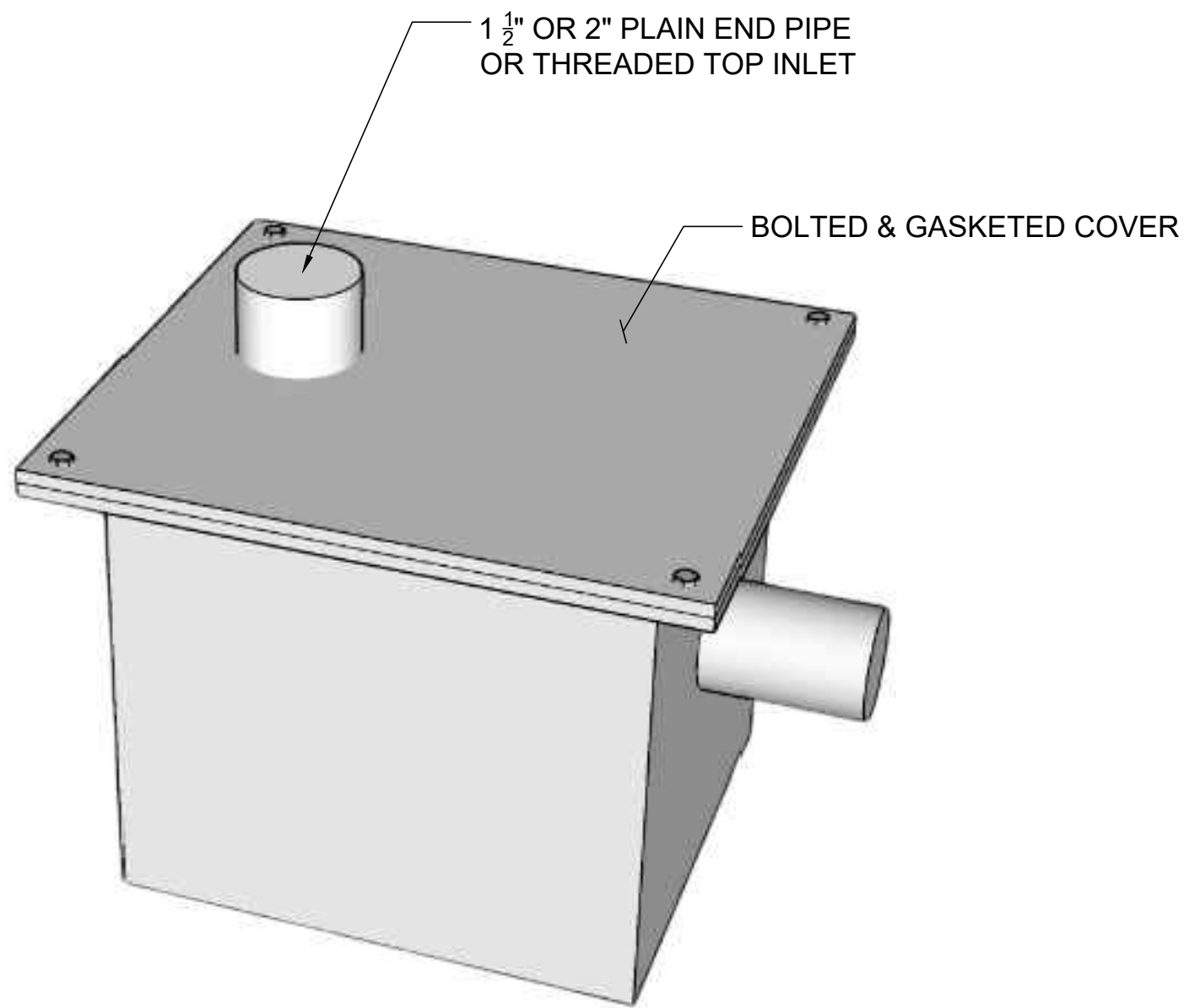
**TOP VIEW**



	FITTING SIZE	FITTING TYPE (MPT OR PLAIN END)	FITTING CENTERLINE	FITTING CENTERLINE (IF DIFFERENT THAN STANDARD)
INLET			IN TOP	
OUTLET			5 1/2"	
NOTES				



**SECTION VIEW**



TANK GALLON CAPACITY:	WELDED BY:
1 1/2	
TANK GALLON CAPACITY WITH LIMESTONE:	COMPLETED BY:
N/A	
LIMESTONE REQUIRED:	REVIEWED BY:
N/A	

UNLESS STATED OTHERWISE DIMENSIONS ARE IN INCHES
--

MATERIAL:	HDPE - ASTM 2148		
WEIGHT [lb]:	5 LBS.	NAME	DATE
DO NOT SCALE DRAWING	DRAWN	DR	08/30/2022
	CHECKED		

TITLE:	NT-1M/HDPE TOP INLET DILUTION TANK
--------	--

REV:	NT SERIES
SIZE:	SHEET 1 OF 1
	SCALE: 1:2

**T&C PLASTICS**  
 WWW.TANDCPLASTICS.COM  
 732-780-5300

THE INFORMATION CONTAINED IN THIS DRAWING IS THE SOLE PROPERTY OF TOWN & COUNTRY PLASTICS LLC. ANY REPRODUCTION IN PART OR AS A WHOLE WITHOUT THE WRITTEN PERMISSION OF TOWN & PLASTICS LLC IS PROHIBITED.

4

3

2

1