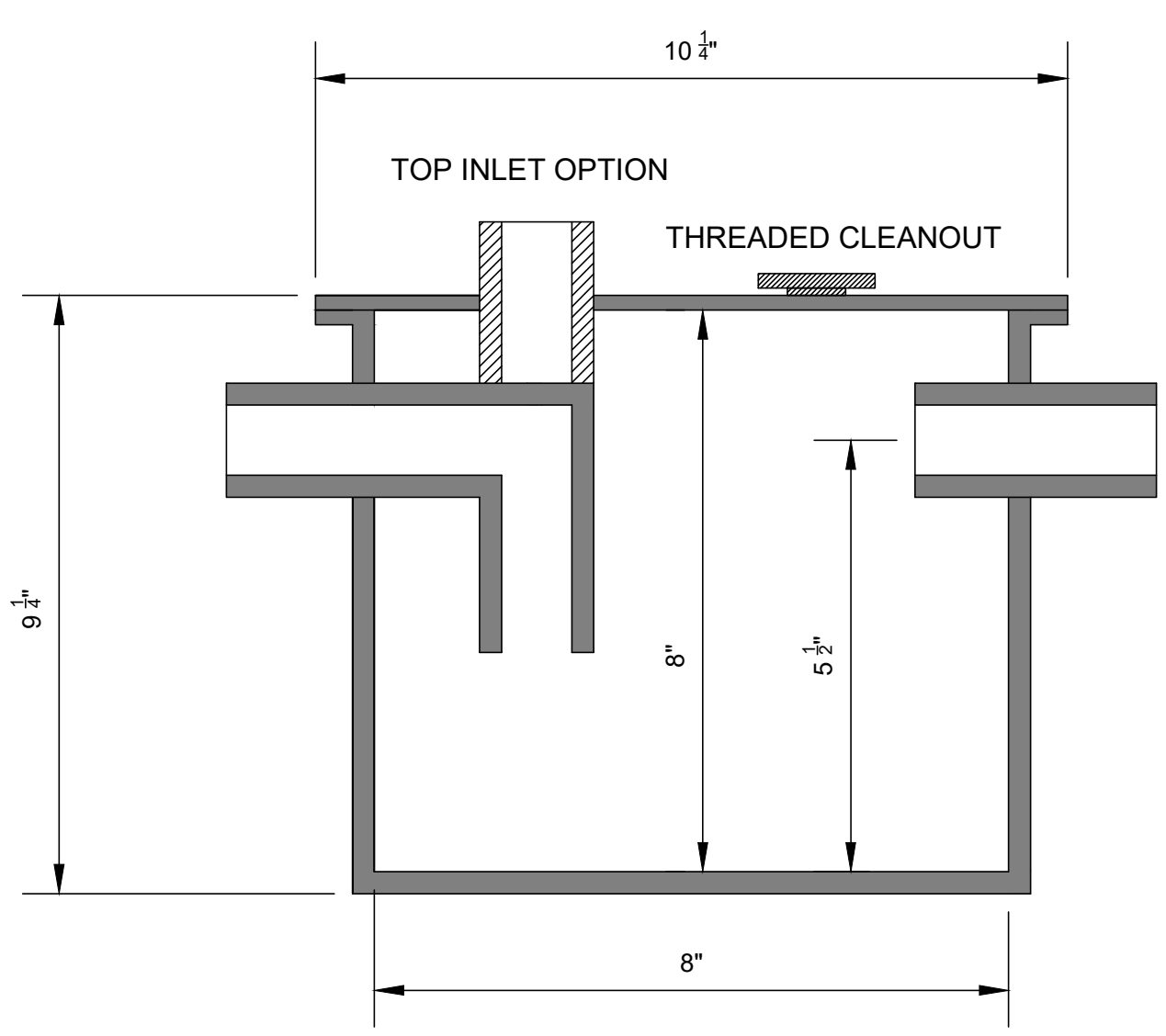
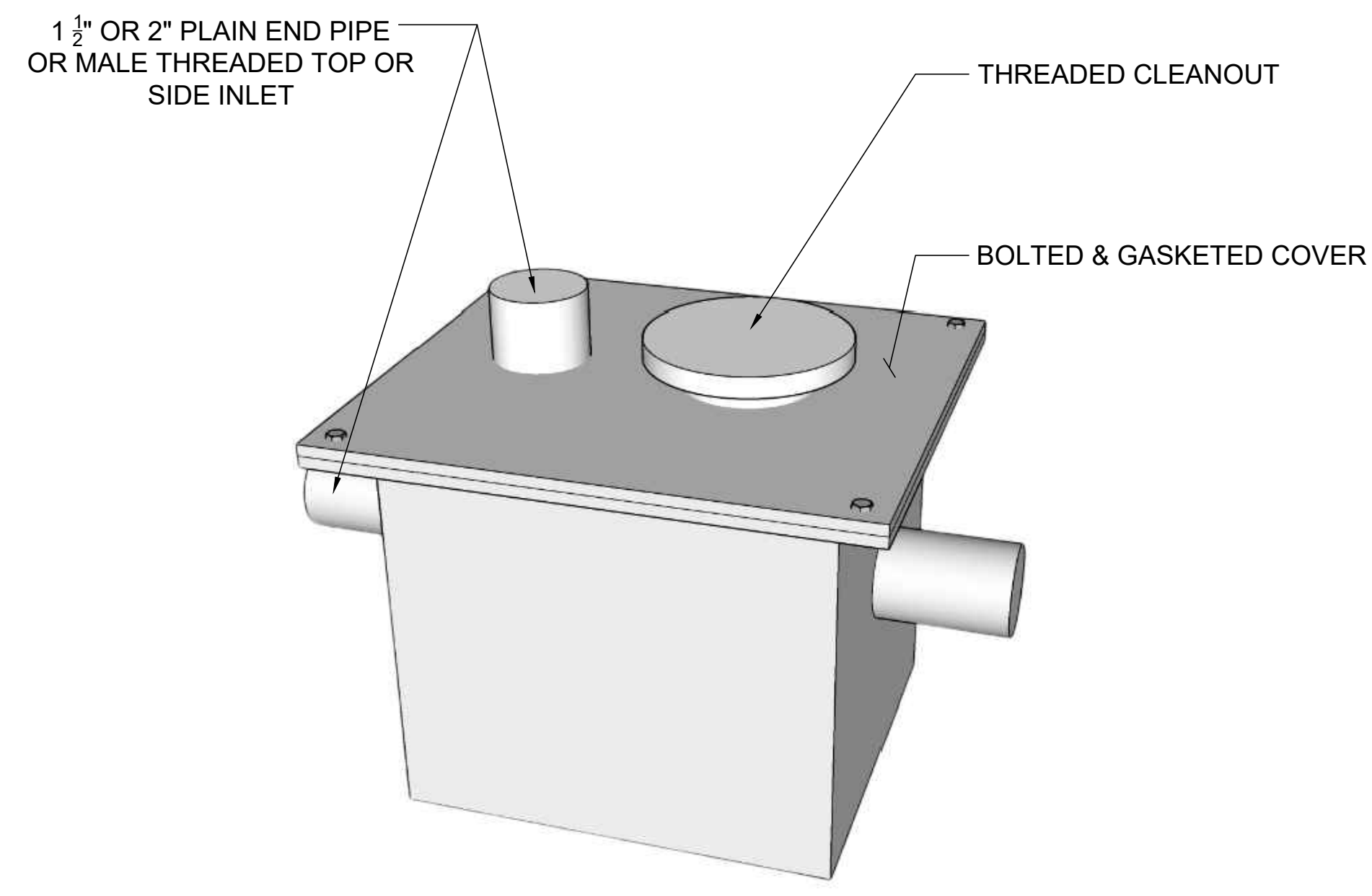


TOP VIEW

	FITTING SIZE	FITTING TYPE (MPT OR PLAIN END)	FITTING CENTERLINE
INLET			5 1/2" OR TOP
OUTLET			5 1/2"
INLET LOCATION (CHOOSE ONE)	TOP INLET		SIDE INLET



SECTION VIEW



TANK GALLON CAPACITY: 1 1/2	WELDED BY:	UNLESS STATED OTHERWISE DIMENSIONS ARE IN INCHES	MATERIAL: HDPE - ASTM 2148			TITLE: NT-1A/HDPE DILUTION TANK	NT SERIES	REV:	 T&C PLASTICS WWW.TANDCPLASTICS.COM 732-780-5300	
TANK GALLON CAPACITY WITH LIMESTONE: N/A	COMPLETED BY:		WEIGHT [lb]: 5 LBS.	NAME	DATE			SHEET 1 OF 1		SIZE:
LIMESTONE REQUIRED: N/A	REVIEWED BY:		DO NOT SCALE DRAWING	CHECKED	08/30/2022			SCALE: 1:2		

THE INFORMATION CONTAINED IN THIS DRAWING IS THE SOLE PROPERTY OF TOWN & COUNTRY PLASTICS LLC. ANY REPRODUCTION IN PART OR AS A WHOLE WITHOUT THE WRITTEN PERMISSION OF TOWN & PLASTICS LLC IS PROHIBITED.