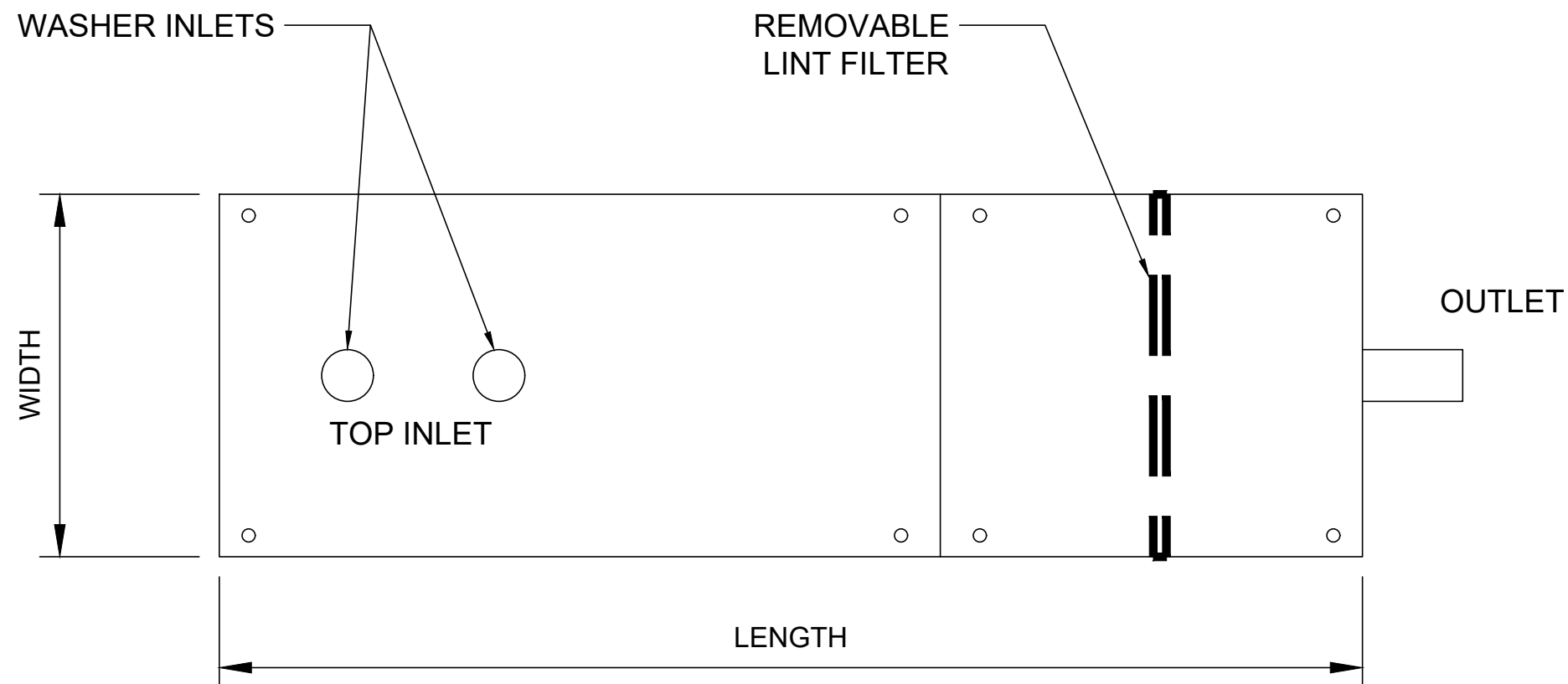
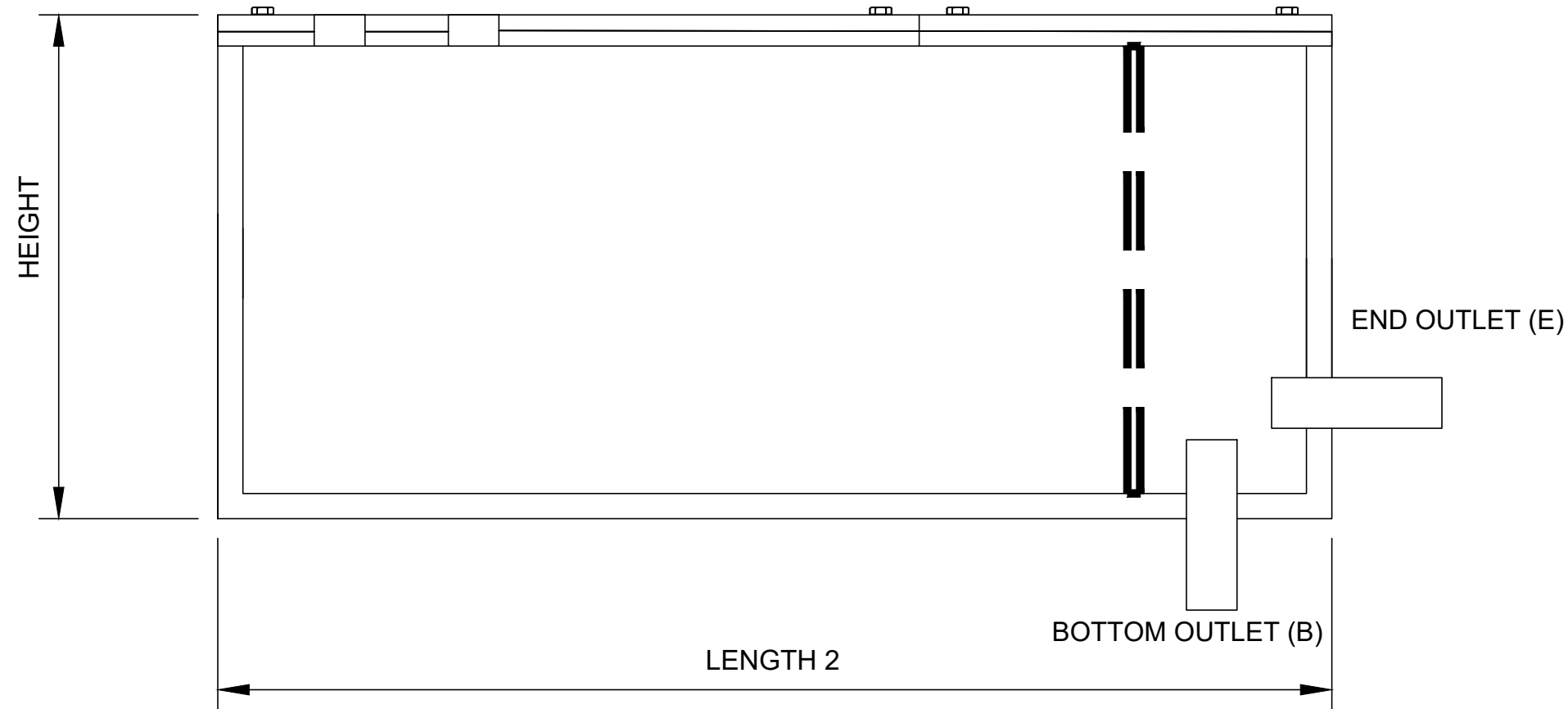


**TOP VIEW**

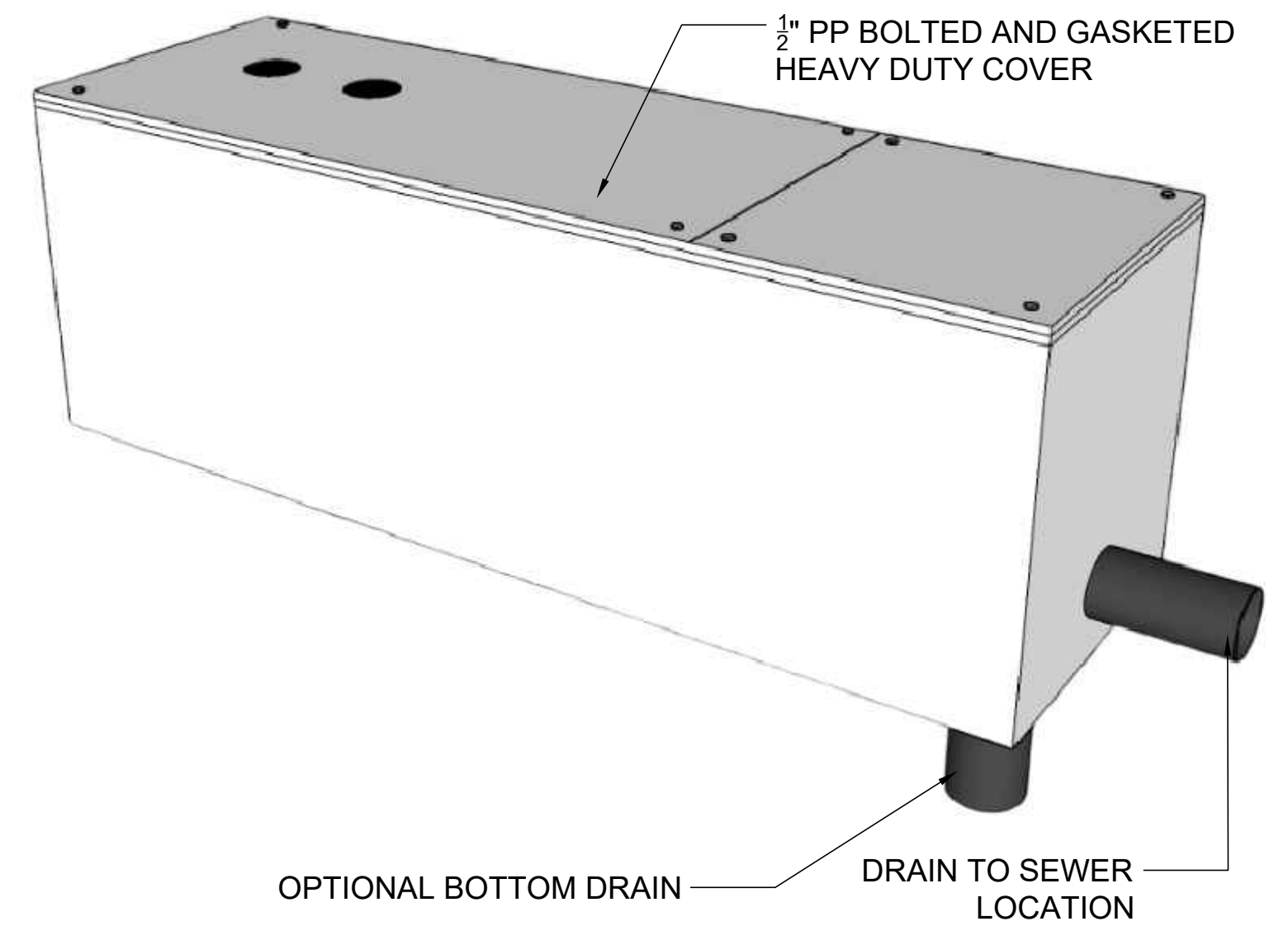


**SECTION VIEW**



**MODEL #**

LENGTH	WIDTH	HEIGHT	OUTLET SIZE	OUTLET TYPE	LOCATION E OR B	INLET SIZE



WELDED BY:	UNLESS STATED OTHERWISE DIMENSIONS ARE IN INCHES
COMPLETED BY:	
REVIEWED BY:	

MATERIAL:	<b>POLYPROPYLENE</b>		
WEIGHT [lb]:	NAME	DATE	
DO NOT SCALE DRAWING	DRAWN DR	09/09/2022	CHECKED

TITLE:	<b>LINT INTERCEPTORS TRENCH DRAINS</b>
LIR SERIES	
SCALE: 1:2	

REV:	
SHEET 1 OF 1	SIZE:
SCALE: 1:2	

**T&C PLASTICS**  
 WWW.TANDCPLASTICS.COM  
 732-780-5300

THE INFORMATION CONTAINED IN THIS DRAWING IS THE SOLE PROPERTY OF TOWN & COUNTRY PLASTICS LLC. ANY REPRODUCTION IN PART OR AS A WHOLE WITHOUT THE WRITTEN PERMISSION OF TOWN & COUNTRY PLASTICS LLC IS PROHIBITED.