

4

3

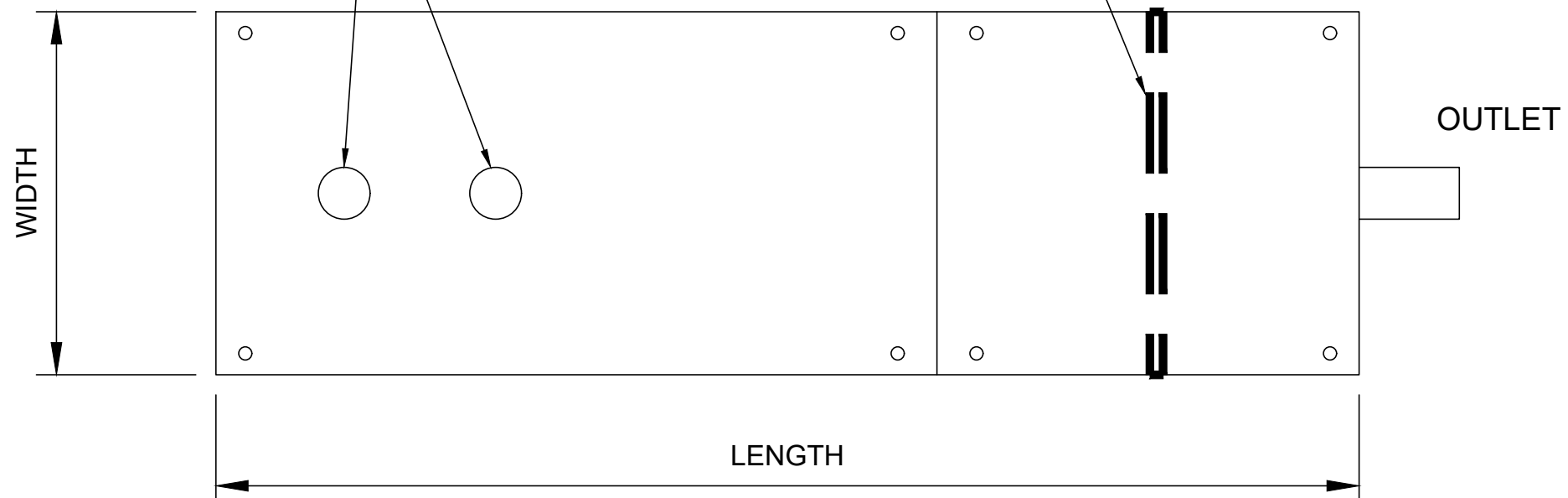
2

1

TOP VIEW

WASHER INLET HOLES
IF NEEDED

REMOVABLE
LINT FILTER

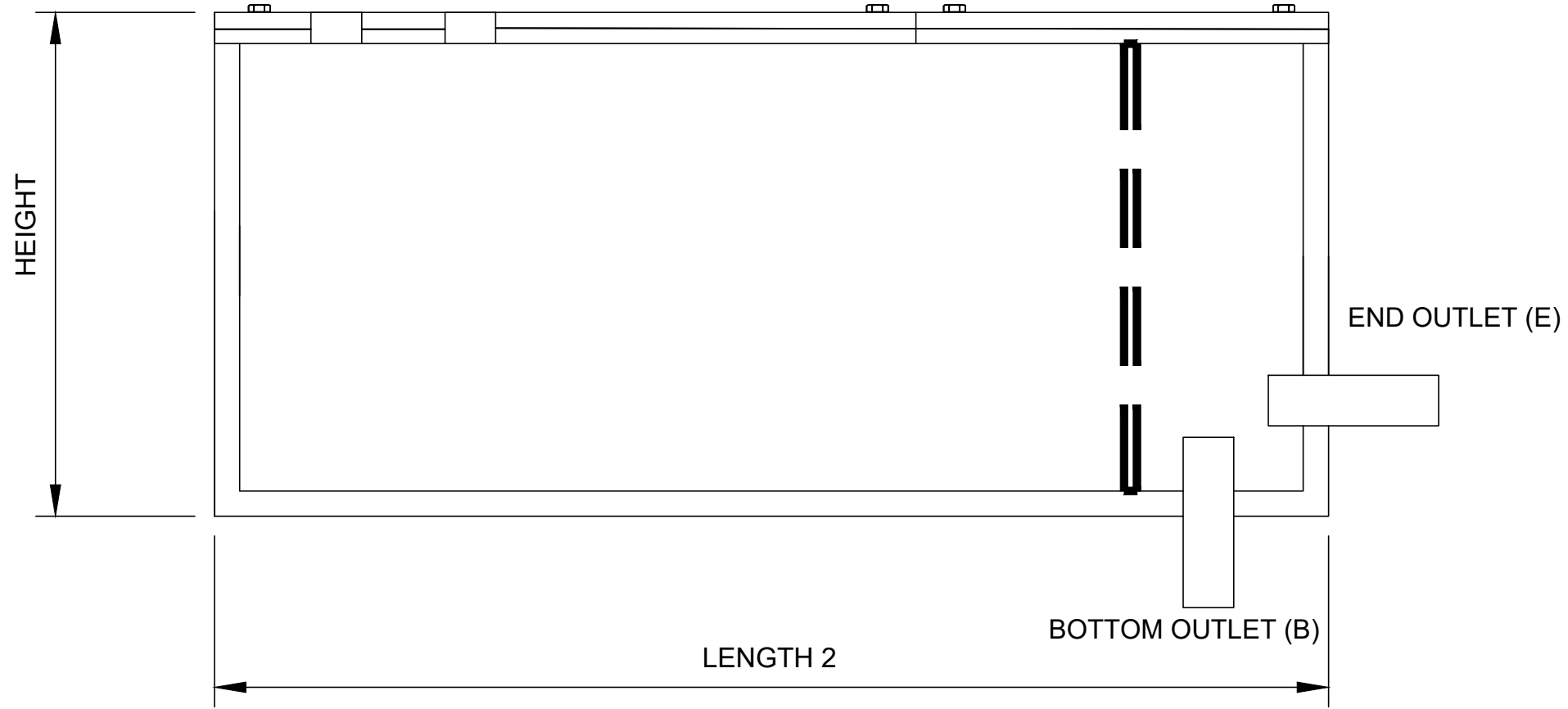


MODEL #

LENGTH	WIDTH	HEIGHT	OUTLET SIZE	OUTLET TYPE	LOCATION E OR B	INLET SIZE

OUTLET

LENGTH



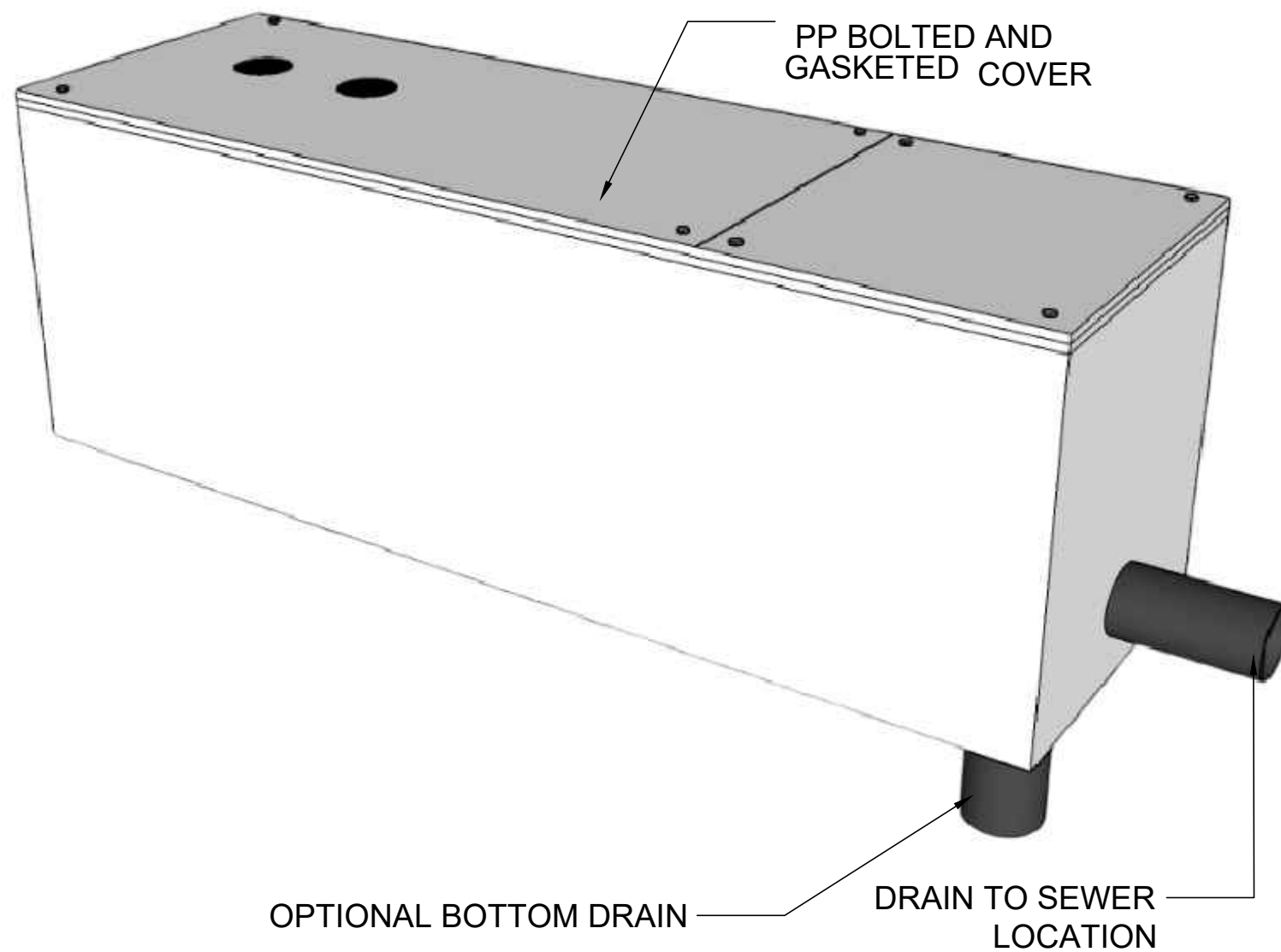
SECTION VIEW

HEIGHT

END OUTLET (E)

BOTTOM OUTLET (B)

LENGTH 2



PP BOLTED AND
GASKETED COVER

OPTIONAL BOTTOM DRAIN

DRAIN TO SEWER
LOCATION

**NOTE: ENTIRE UNIT TO BE FABRICATED FROM 1/4" THICK POLYPROPYLENE.
UNITS OVER 8' LONG TO BE FABRICATED FROM 1/2" THICK POLYPROPYLENE.**

WELDED BY:	UNLESS STATED OTHERWISE DIMENSIONS ARE IN INCHES
COMPLETED BY:	
REVIEWED BY:	

MATERIAL:	POLYPROPYLENE		
WEIGHT [lb]:	NAME	DATE	
DO NOT SCALE DRAWING	DRAWN DR	09/09/2022	CHECKED

TITLE:	LINT INTERCEPTORS TRENCH DRAINS
--------	--

LIR SERIES	REV:
SHEET 1 OF 1	SIZE:
SCALE: 1:2	

T&C PLASTICS
WWW.TANDCPLASTICS.COM
732-780-5300

THE INFORMATION CONTAINED IN THIS DRAWING IS THE SOLE PROPERTY OF TOWN & COUNTRY PLASTICS LLC. ANY REPRODUCTION IN PART OR AS A WHOLE WITHOUT THE WRITTEN PERMISSION OF TOWN & COUNTRY PLASTICS LLC IS PROHIBITED.

4

3

2

1