

Location: \_\_\_\_\_

	HLA	HIGH LEVEL ALARM SYSTEM
--	-----	-------------------------

Speciication: TC-HLA high level alarm system consists of an alarm control box that is weatherproof rated NEMA4/4X, 6' 120VAC power cord, 360 (degree sign) viewable alarm light, 85db @ 10' solid tone alarm, and a silence and test button that is to be mounted to the nearest structure. Also included is a float switch that is mounted inside of the interceptor for oil and / or grease level detection and is connected to the alarm control box.

Speciication: The purpose of the high level alarm system is to monitor and send an audible and visual alarm when the oil and / or grease capacity is approximately 75% full. High level alarm systems can be installed on any T&C oil or grease interceptor to allow the customer to monitor oil and grease levels. This allows the interceptor to be maintained when required.



CALIFORNIA PROPOSITION 65 WARNING. This product contains chemicals known to the State of California to cause cancer and birth defects or other reproductive harm.

Job Name: _____	Page No: _____
Section No: _____	Contractor: _____
Schedule No: _____	Purchase Order No: _____

T&C reserves the right to make changes in material and design without formal notice and obligation. 10-B Timber Lane, Marlboro, NJ 07746  
732-780-5300 [www.tandcplastics.com](http://www.tandcplastics.com)

UNLESS STATED OTHERWISE DIMENSIONS ARE IN INCHES	MATERIAL: HDPE			HIGH LEVEL ALARM SYSTEM		REV:	T&C PLASTICS WWW.TANDCPLASTICS.COM 732-780-5300	
	WEIGHT [lb]:	DRAWN	NAME		DATE	SHEET 1 OF 1		SIZE:
	DO NOT SCALE DRAWING	CHECKED	DR		11/09/2022	SCALE: 1:2		

4

3

2

1

D

D

C

C

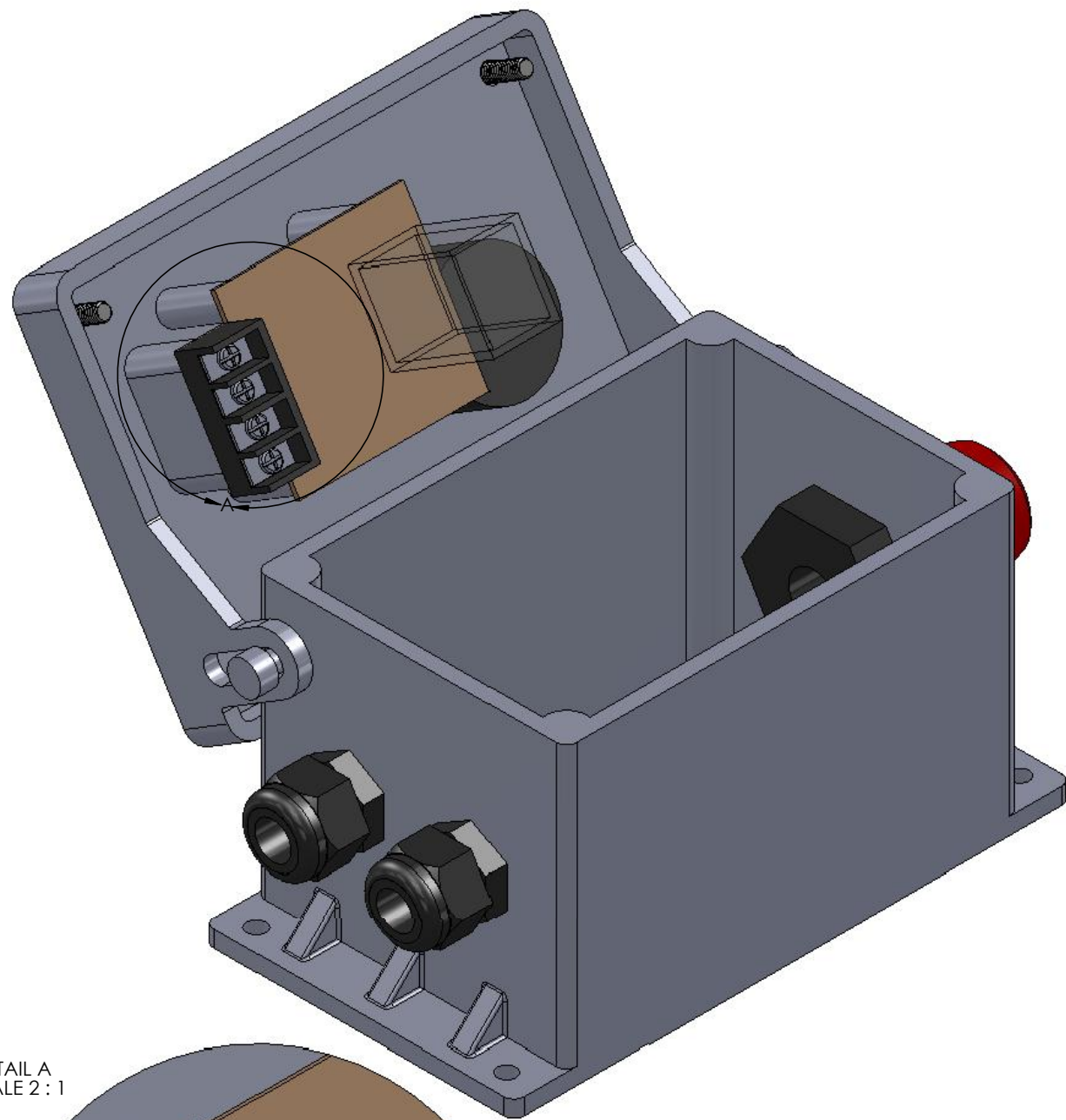
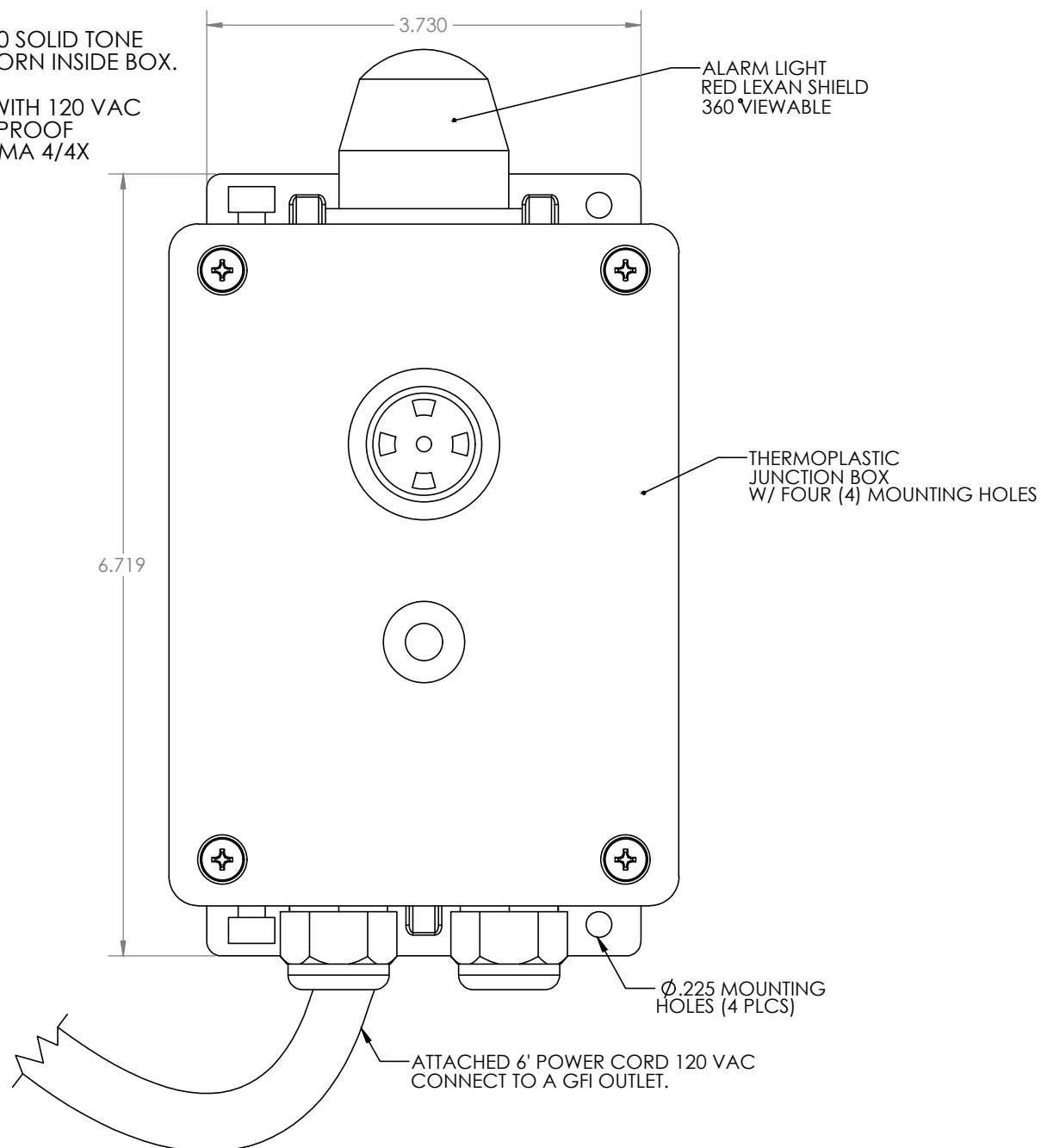
B

B

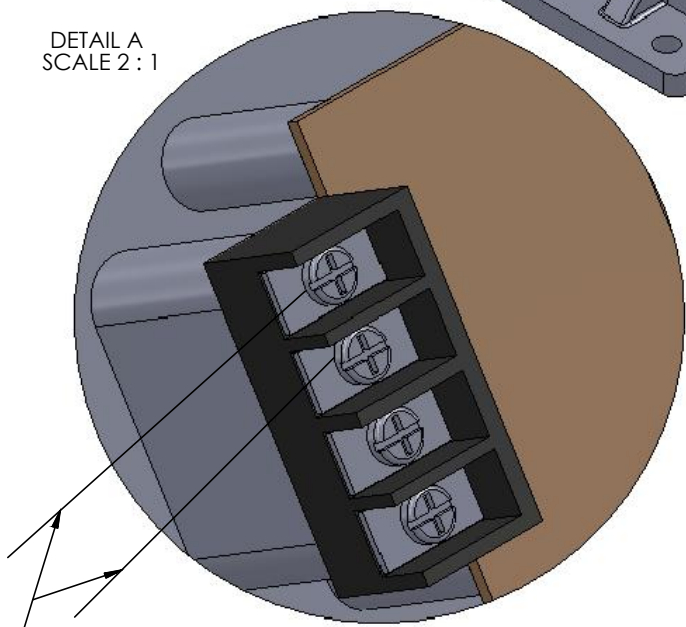
A

A

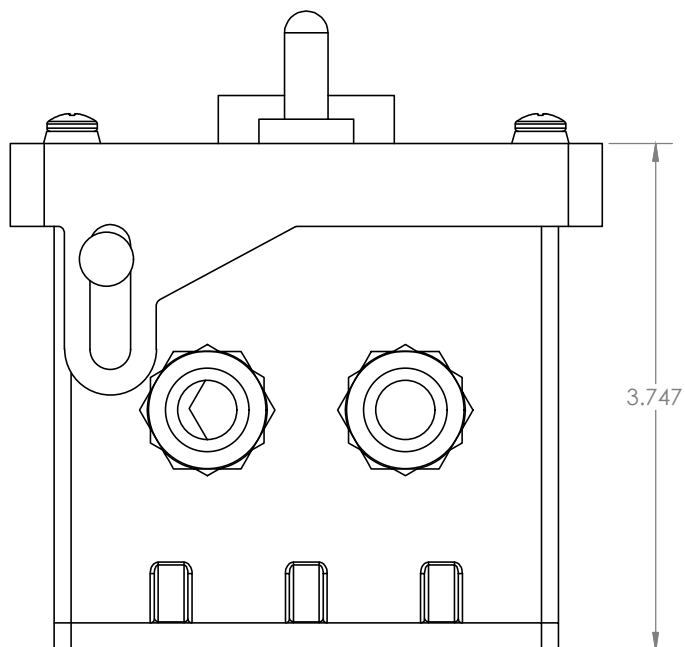
\*NOTE  
85 db e 10 SOLID TONE  
ALARM HORN INSIDE BOX.  
FOR USE WITH 120 VAC  
WEATHERPROOF  
RATED NEMA 4/4X



DETAIL A  
SCALE 2 : 1



\*NOTE  
CONTROL BOX SHALL BE  
MOUNTED TO THE NEAREST WALL  
OR PERMANENT STRUCTURE.



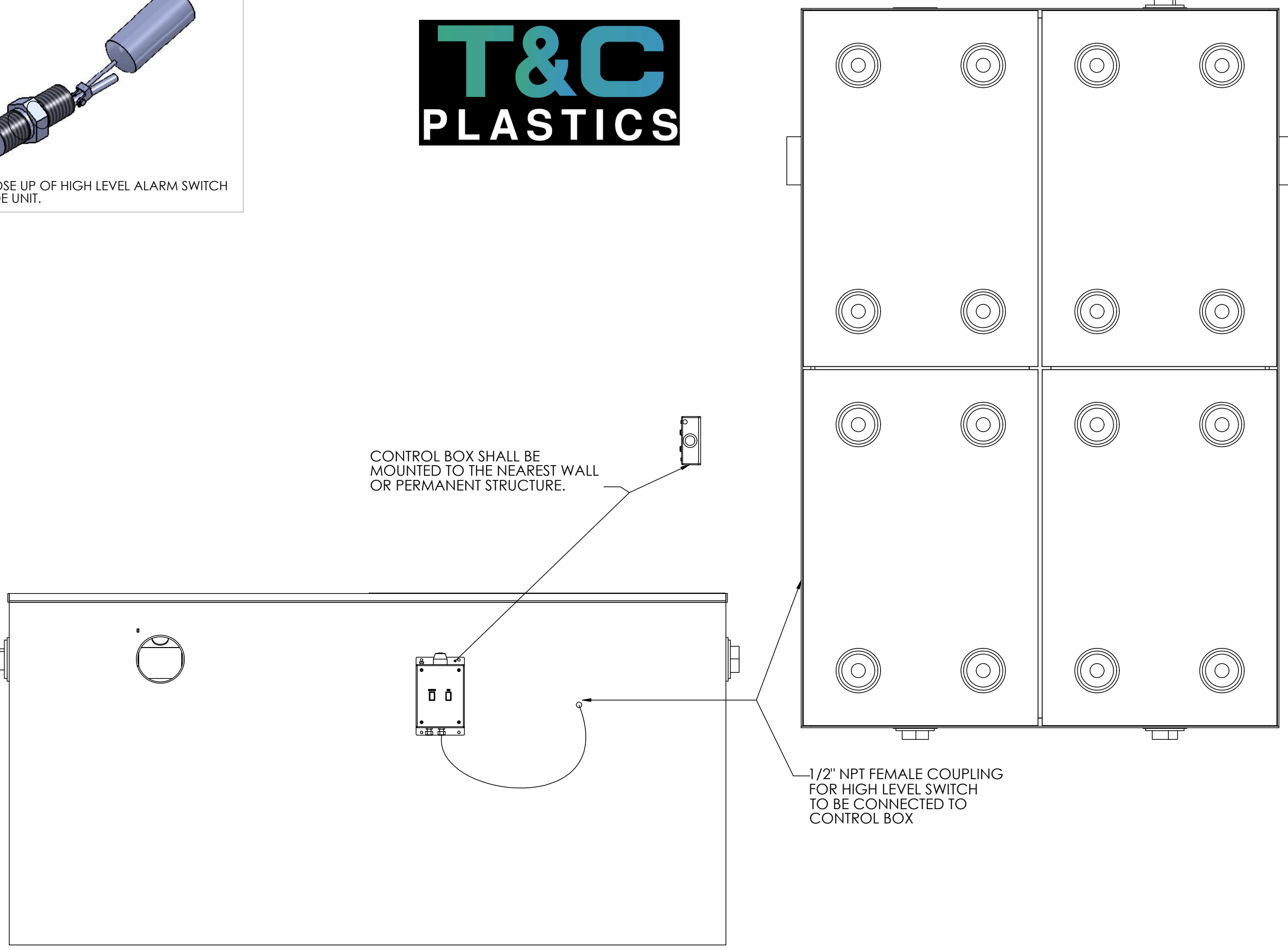
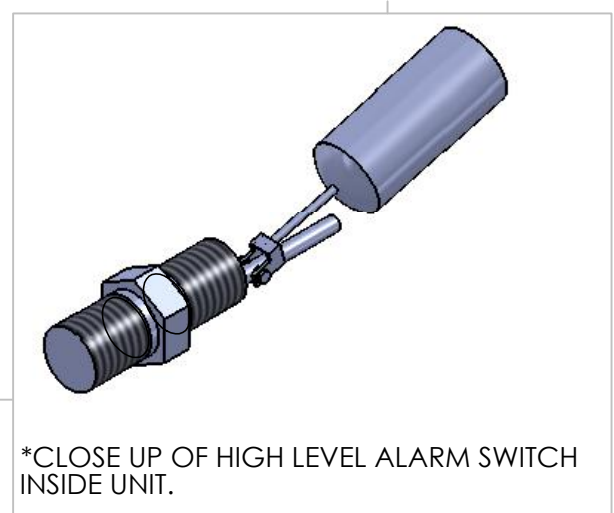
UNLESS STATED OTHERWISE DIMENSIONS ARE IN INCHES	MATERIAL: POLYPROPYLENE				TITLE: <b>HIGH LEVEL ALARM ASSEMBLY</b>	REV:	 WWW.TANDCPLASTICS.COM 732-780-5300	
	WEIGHT [lb]:		NAME	DATE		SHEET 1 OF 1		SIZE:
	DO NOT SCALE DRAWING		DRAWN	DR		09/10/2022		SCALE: 1:2
THE INFORMATION CONTAINED IN THIS DRAWING IS THE SOLE PROPERTY OF TOWN & COUNTRY PLASTICS LLC. ANY REPRODUCTION IN PART OR AS A WHOLE WITHOUT THE WRITTEN PERMISSION OF TOWN & PLASTICS LLC IS PROHIBITED.								

4

3

2

1



UNLESS STATED OTHERWISE DIMENSIONS ARE IN INCHES	MATERIAL: POLYPROPYLENE				TITLE: <b>HIGH LEVEL ALARM ASSEMBLY</b>	REV:	 WWW.TANDCPLASTICS.COM 732-780-5300	
	WEIGHT [lb]:		NAME	DATE		SHEET 1 OF 1		SIZE:
	DO NOT SCALE DRAWING		DRAWN	DR		09/10/2022		SCALE: 1:2
THE INFORMATION CONTAINED IN THIS DRAWING IS THE SOLE PROPERTY OF TOWN & COUNTRY PLASTICS LLC. ANY REPRODUCTION IN PART OR AS A WHOLE WITHOUT THE WRITTEN PERMISSION OF TOWN & PLASTICS LLC IS PROHIBITED.								