

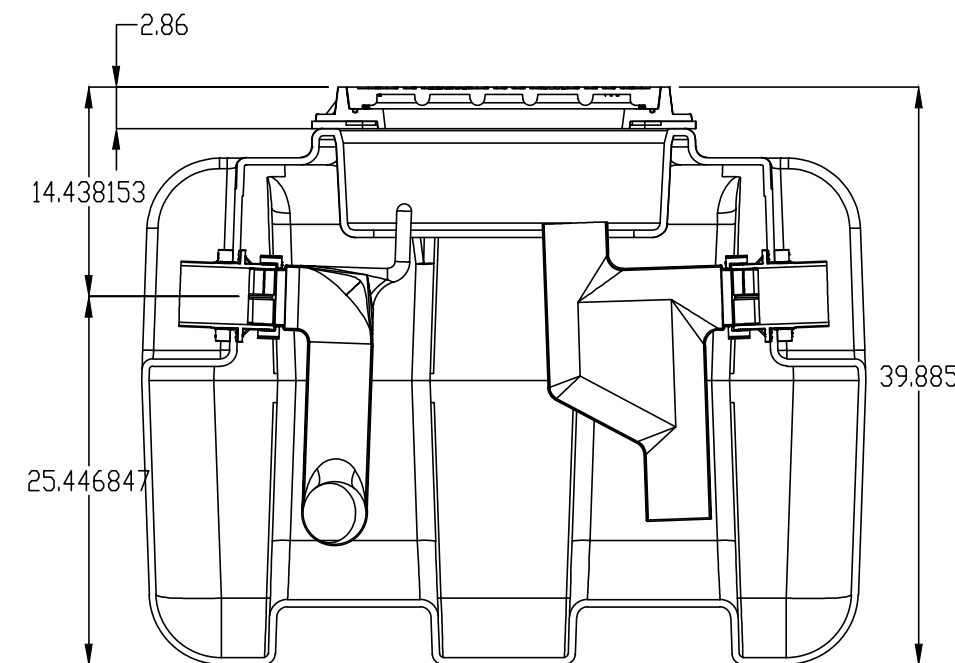
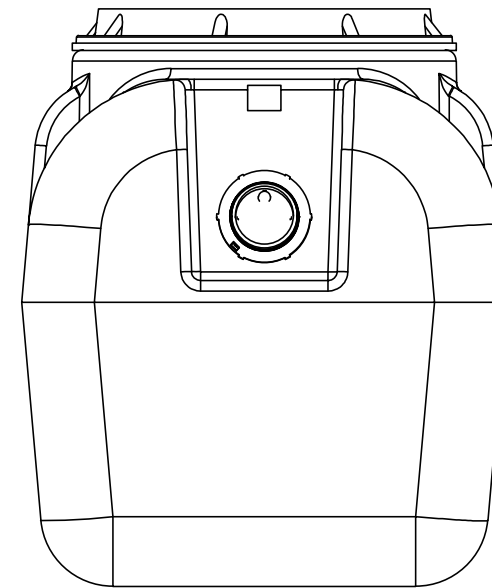
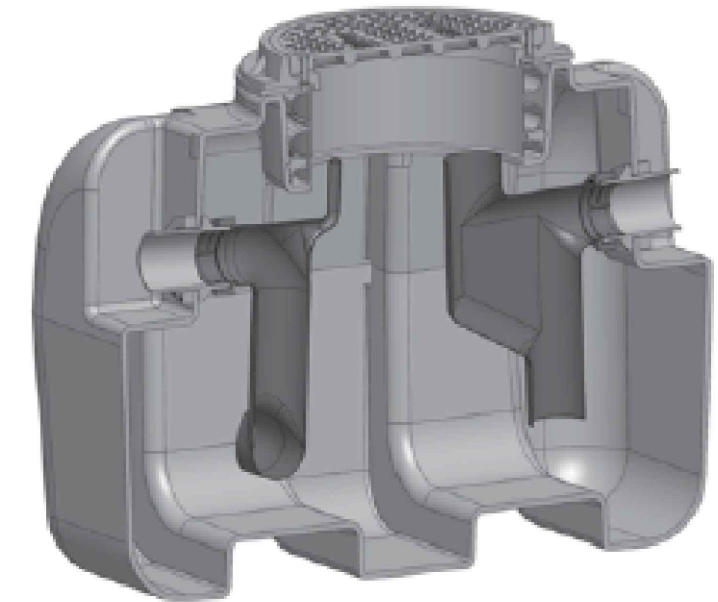
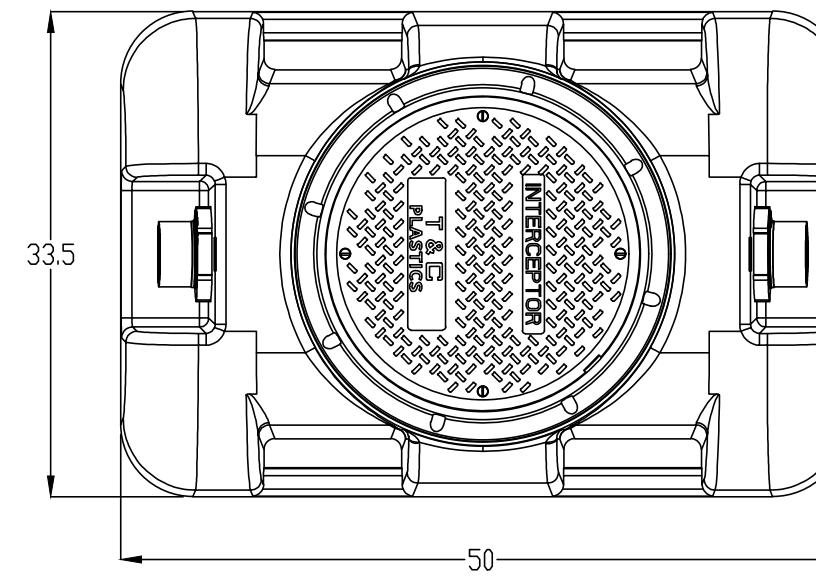
Engineering Specification: T&C Plastics XL Series Model GI-XL-75 HDPE rotational molded grease interceptor with flow rating of 75 and liquid holding capacity of 140 gallons. Unit shall include: 3/8" uniform wall thickness, deep seal trap covered by lid, internal air relief by-pass, adjustable lid system, stainless steel calibrated orifice plate (internal flow control), sample port access and 4" no hub inlet and outlet connections. Steel encased composite lid provides a water / gas tight seal and has a minimum of 20,000 lbs. load capacity. The lid is designed in accordance with the loading requirements of AASHTO H20. Interceptor shall be tested and certified to the P.D.I.

All T&C XL Interceptors are supplied with H20 cover and 18" extension piece. Larger extensions are available at extra cost or can be supplied separately using 18" Diameter ADS HDPE Corrugated Pipe. Extensions can be modified in the field to meet job-site conditions.

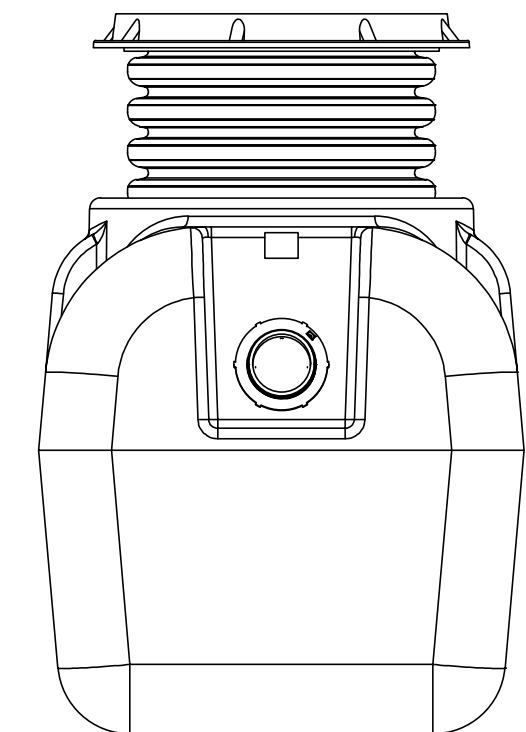
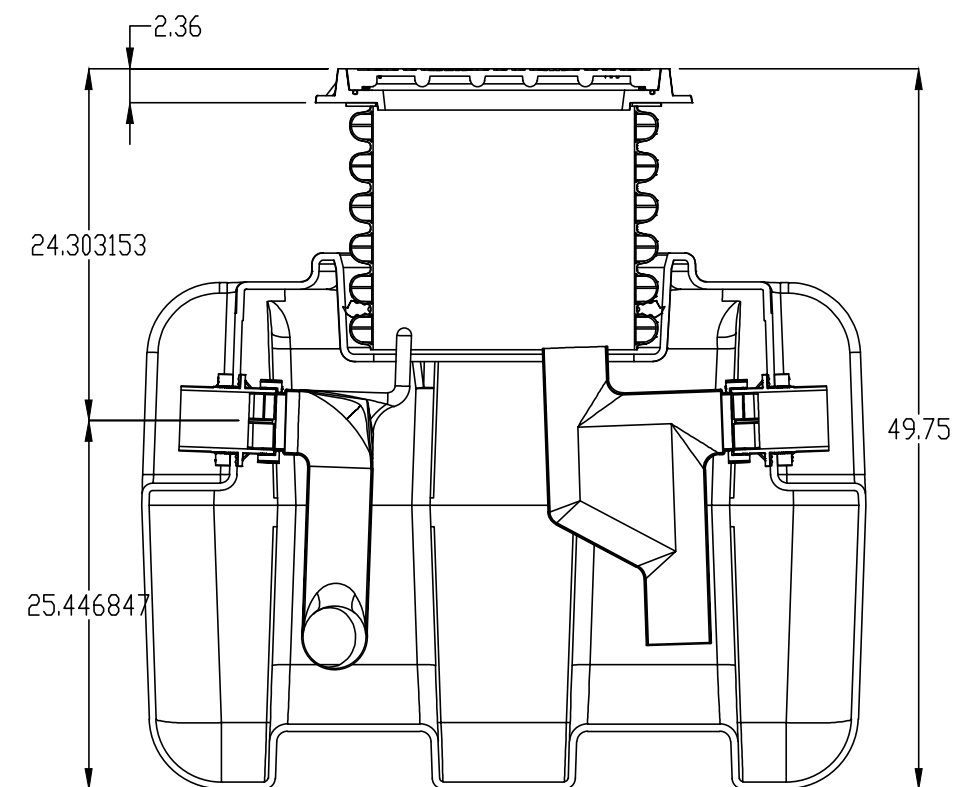
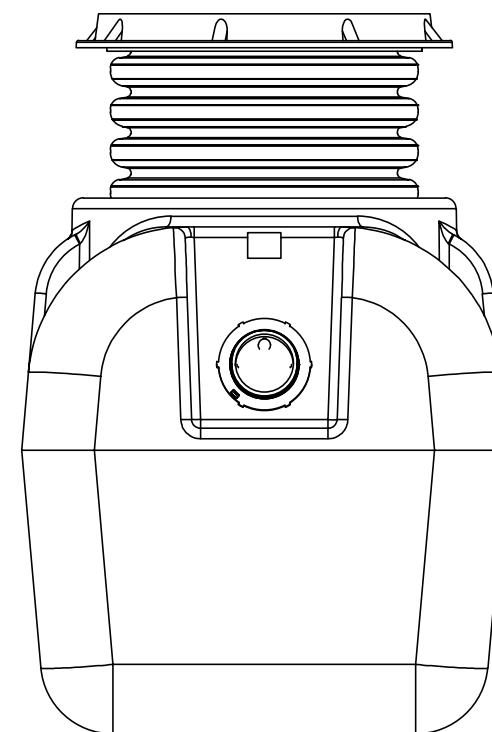
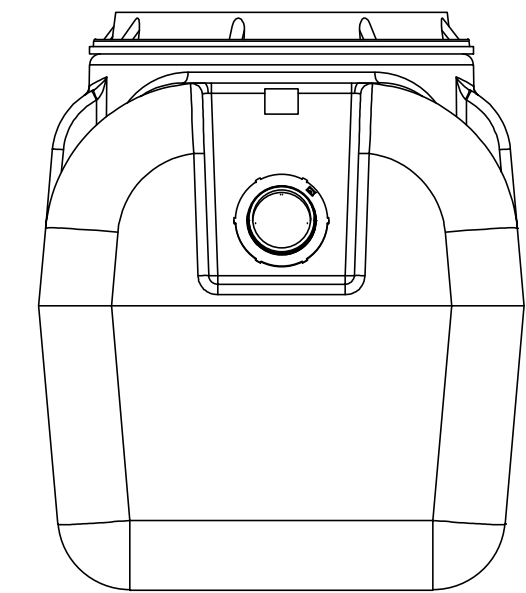
SPECIFICATIONS	GI-XL-75
FLOW RATE (GPM)	75
GREASE DESIGN CAPACITY	501 LBS. 70 GALLON)
LIQUID HOLDING CAPACITY	140 GALLONS
SEDIMENT CAPACITY	42 GALLONS
SHIPPING WEIGHT (LBS.)	150

OPTIONS

XL-AK	ANCHOR KIT FOR XL-75 AND XL-100 UNITS
XL-EXT-44	LID EXTENSION UP TO 44" (EACH) - 1 REQUIRED FOR XL-50/75-2 FOR XL-100
XL-EXT-72	LID EXTENSION UP TO 72" (EACH) - 1 REQUIRED FOR XL-50/75-2 FOR XL-100
INT-HLA	HIGH LEVEL ALARM AND FLOAT SWITCH (TO BE INSTALLED ON SITE)
XL-RPO	REMOTE PUMP OUT CONNECTION
XL-RPOK	REMOTE PUMP OUT KIT
SB-75	SEDIMENT BUCKET FOR XL-50/X-75
SB-100	SEDIMENT BUCKET FOR XL-100
XLV	VENT CONNECTION ON SIDE OR TOP (EACH)
F6	6" CONNECTIONS IN INTERCEPTOR (2) PRICE IS FOR BOTH
XL-SP	EXTERNAL SAMPLING PORT (INLINE OR OFF-SET) FOR XL & SS INTERCEPTORS
XL-T	FEMALE THREADED CONNECTIONS
CONTACT T&C FOR ADDITIONAL ACCESSORIES	



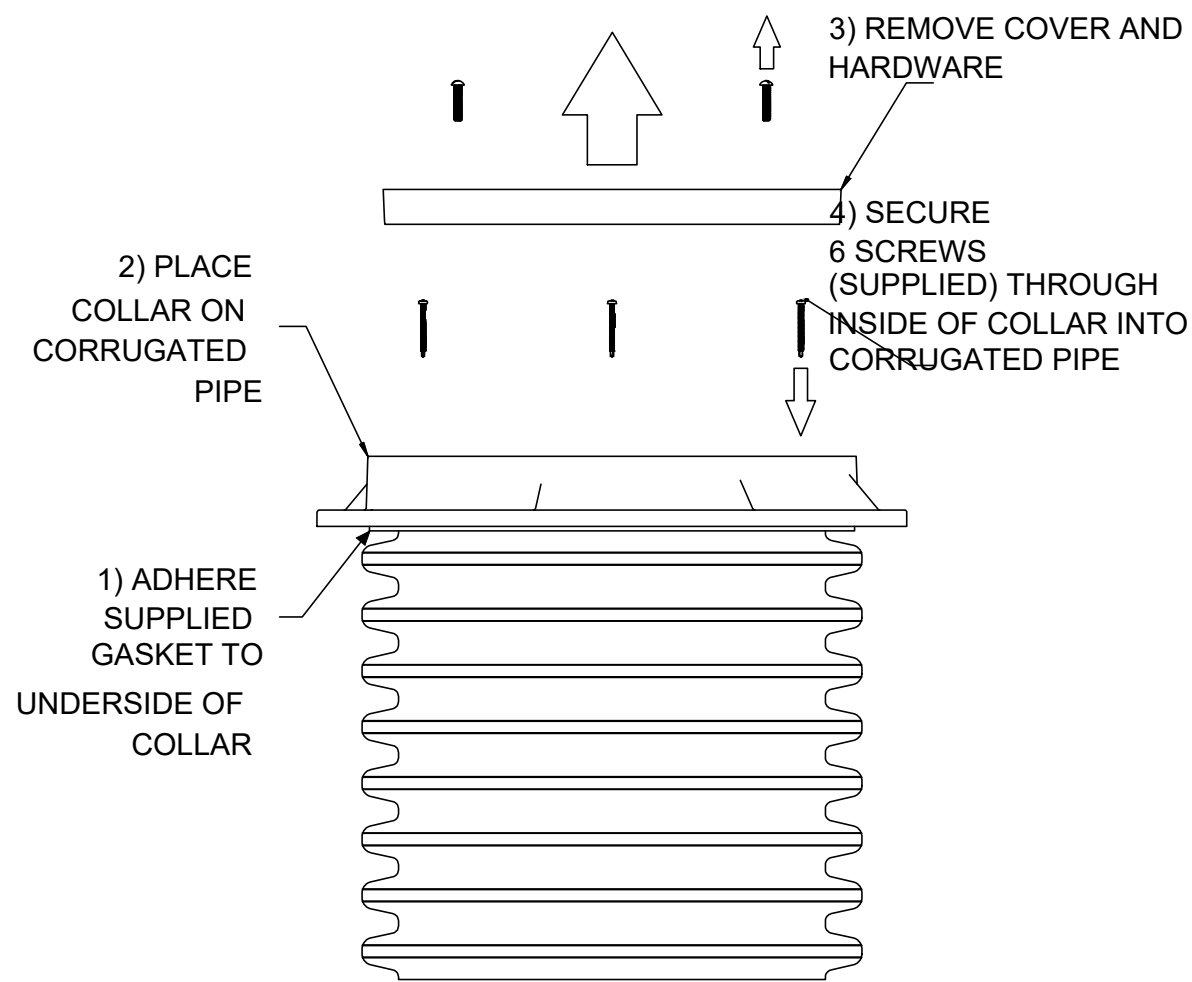
SHOWN WITH DIRECT CONNECT LID OPTION (-DCL)



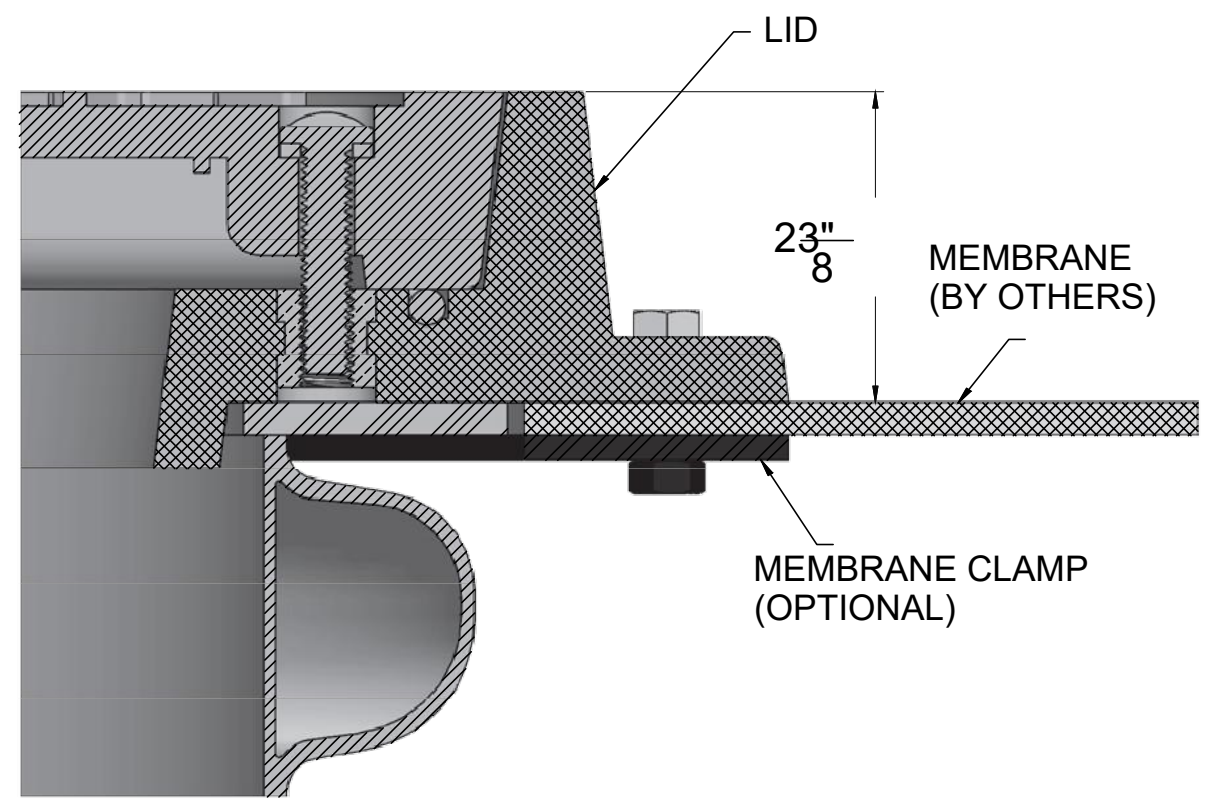
UNLESS STATED OTHERWISE DIMENSIONS ARE IN INCHES	MATERIAL: HDPE			TITLE: GI-XL-75 INTERCEPTOR	XL SERIES	REV:	T&C PLASTICS WWW.TANDCPLASTICS.COM 732-780-5300	
	WEIGHT [lb]:					SHEET 1 OF 1		SIZE:
	DO NOT SCALE DRAWING					SCALE: 1:2		
THE INFORMATION CONTAINED IN THIS DRAWING IS THE SOLE PROPERTY OF TOWN & COUNTRY PLASTICS LLC. ANY REPRODUCTION IN PART OR AS A WHOLE WITHOUT THE WRITTEN PERMISSION OF TOWN & PLASTICS LLC IS PROHIBITED.								

NAME	DATE
DRAWN DR	09/10/2022
CHECKED	

LID INSTALLATION DETAILS

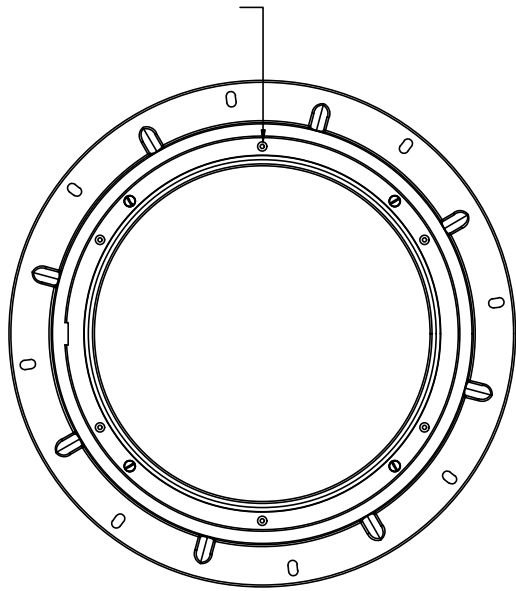


ANCHOR FLANGE AND MEMBRANE CLAMP DETAILS

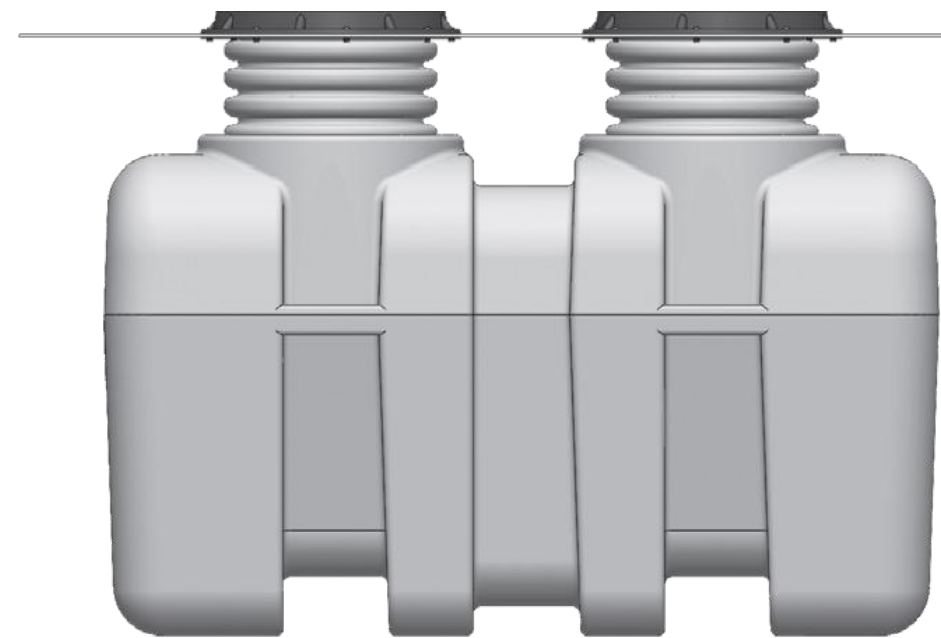
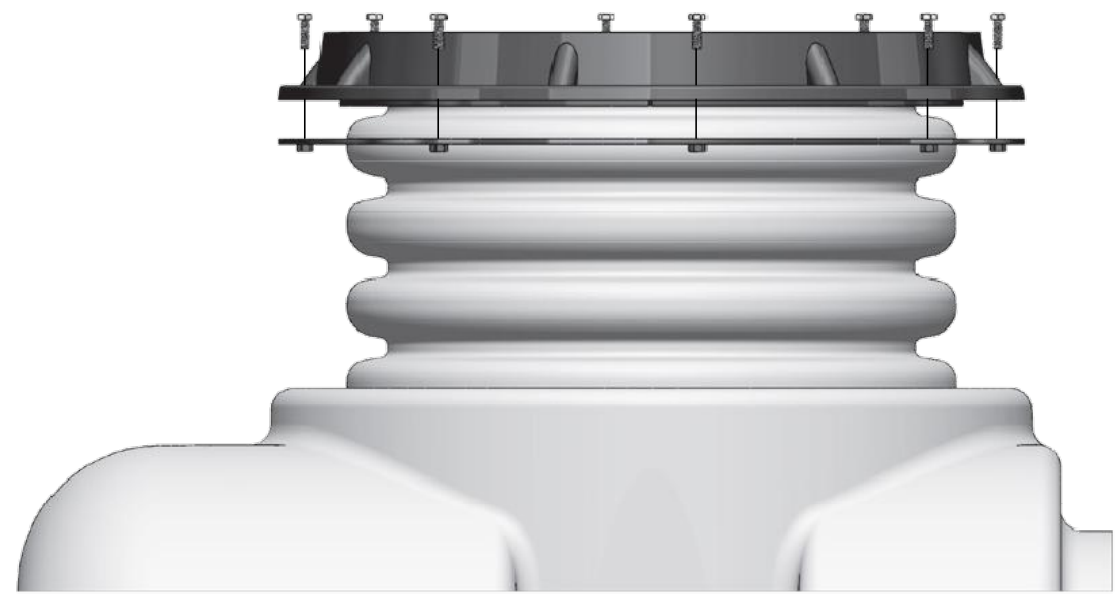
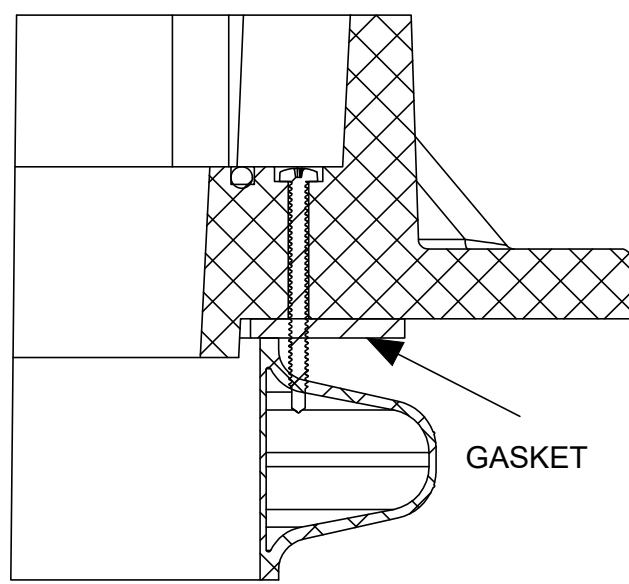


PLAN VIEW OF COLLAR

DRILLING POSITION FOR SCREWS WILL BE FOUND UNDER LID (6 HOLES)



CROSS SECTION VIEW OF STEP 4



UNLESS STATED OTHERWISE DIMENSIONS ARE IN INCHES	MATERIAL: HDPE		TITLE: XL & SS LID INSTALL		SERIES: INTERCEPTORS	REV:	 WWW.TANDCPLASTICS.COM 732-780-5300
	WEIGHT [lb]:	NAME	DATE		SHEET 1 OF 1	SIZE:	
	DO NOT SCALE DRAWING	DRAWN DR	10/18/2022	CHECKED	SCALE: 1:2		

THE INFORMATION CONTAINED IN THIS DRAWING IS THE SOLE PROPERTY OF TOWN & COUNTRY PLASTICS LLC. ANY REPRODUCTION IN PART OR AS A WHOLE WITHOUT THE WRITTEN PERMISSION OF TOWN & PLASTICS LLC IS PROHIBITED.