

Engineering Specification: T&C Plastics XL Series Model GI-XL-100 HDPE rotational molded grease interceptor with flow rating of 100gpm and liquid holding capacity of 300 gallons. Unit shall include: 3/8" uniform wall thickness, deep seal trap covered by lid, internal air relief by-pass, adjustable lid system, stainless steel calibrated orifice plate (internal flow control), sample port access and 4" no hub inlet and outlet connections. Steel encased composite lid provides a water / gas tight seal and has a minimum of 20,000 lbs. load capacity. The lid is designed in accordance with the loading requirements of AASHTO H20. Interceptor shall be tested and certified to the P.D.I.

All T&C XL Interceptors are supplied with H20 cover and 18" extension piece. Larger extensions are available at extra cost or can be supplied separately using 18" Diameter ADS HDPE Corrugated Pipe. Extensions can be modified in the field to meet job-site conditions.

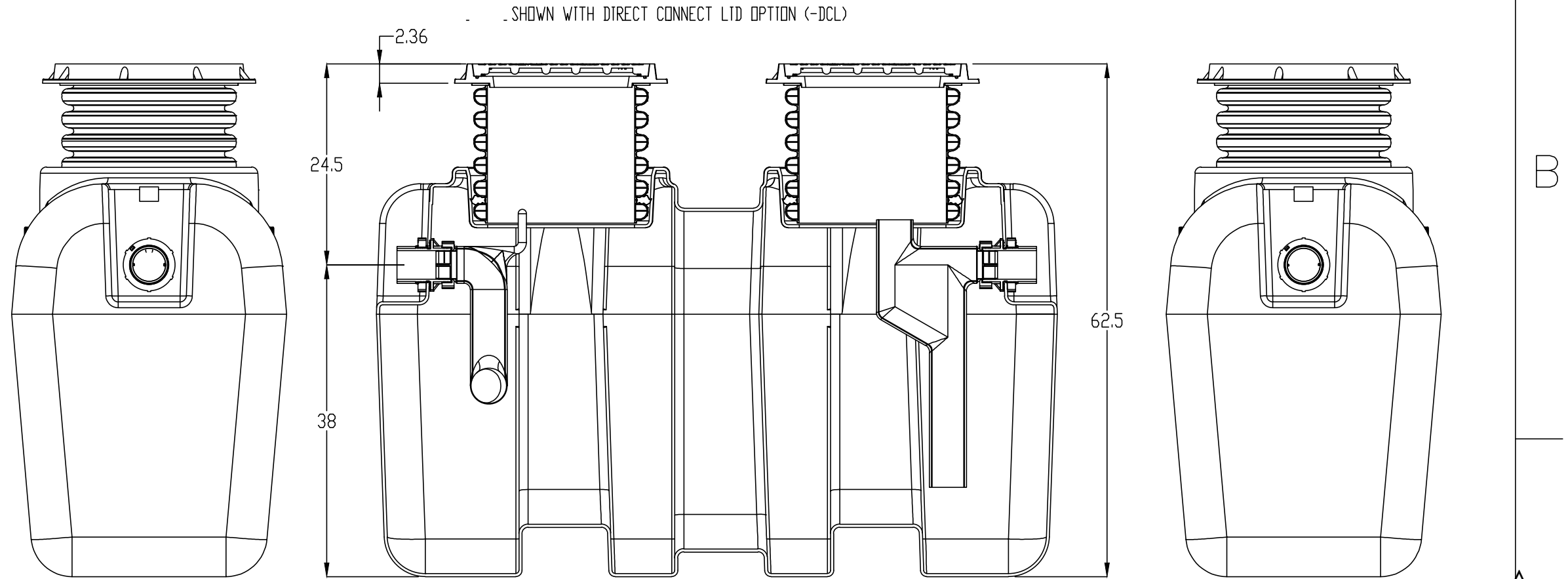
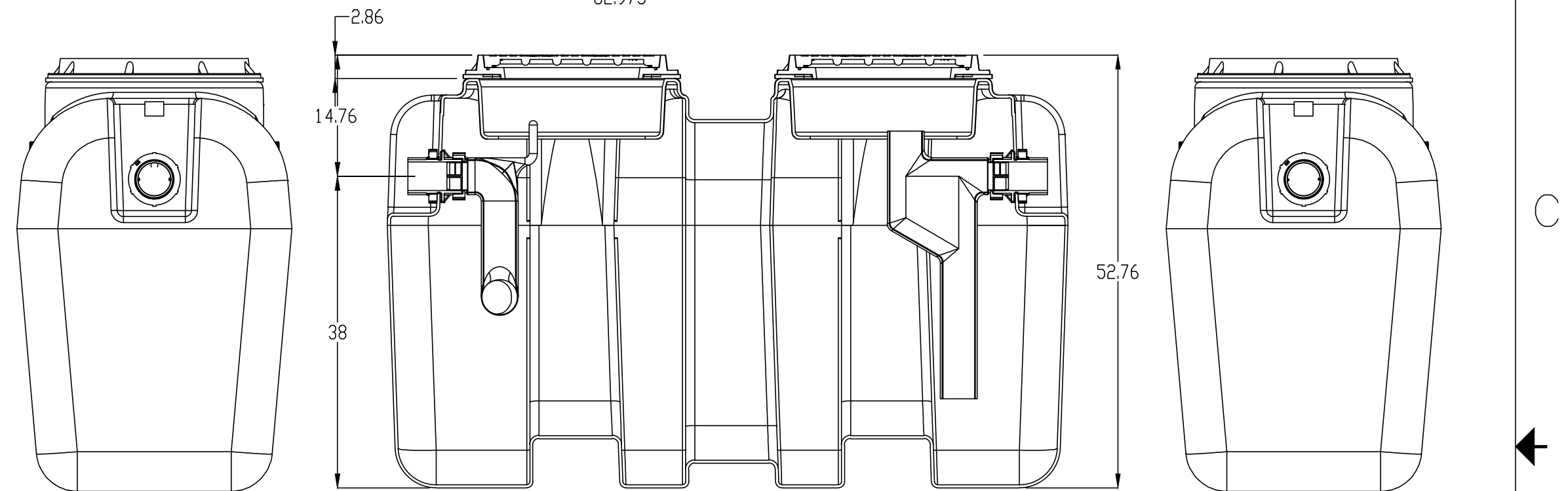
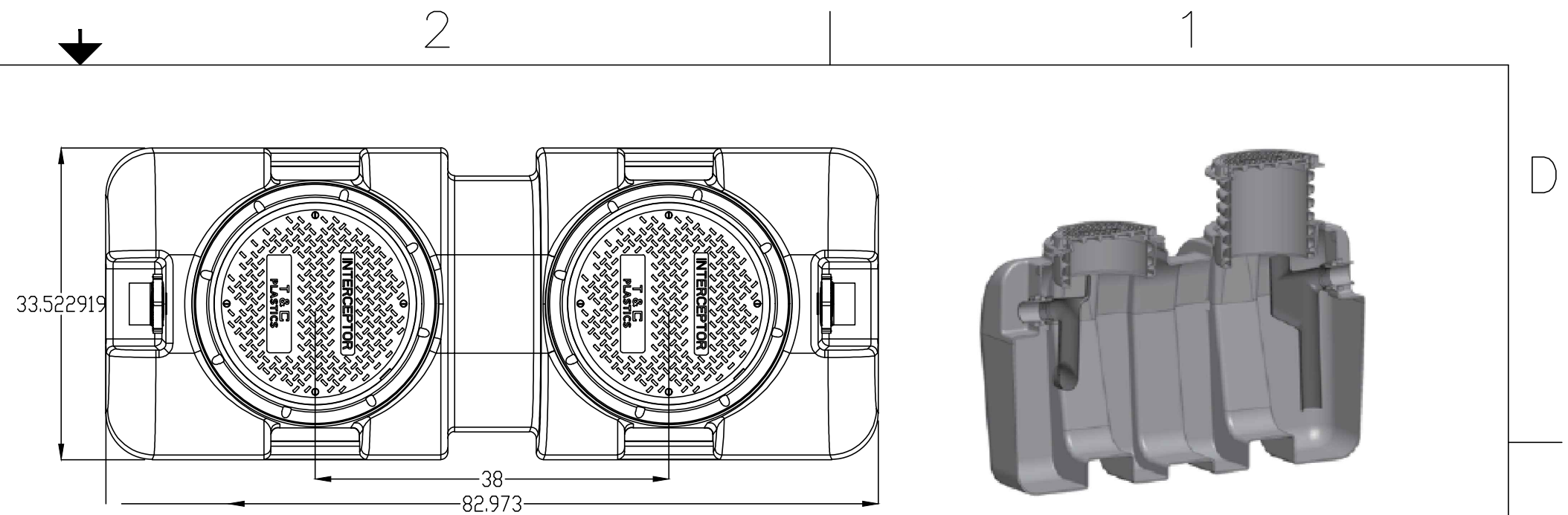
SPECIFICATIONS

GI-XL-100

| | |
|-----------------------------------|---------------------------|
| FLOW RATE (GPM) | 100 |
| GREASE DESIGN CAPACITY | 1,556 LBS. 218 GALLONS |
| LIQUID HOLDING CAPACITY (GALLONS) | 300 GALLONS |
| SEDIMENT CAPACITY | 115 GALLONS |
| SHIPPING WEIGHT (LBS.) | 275 |

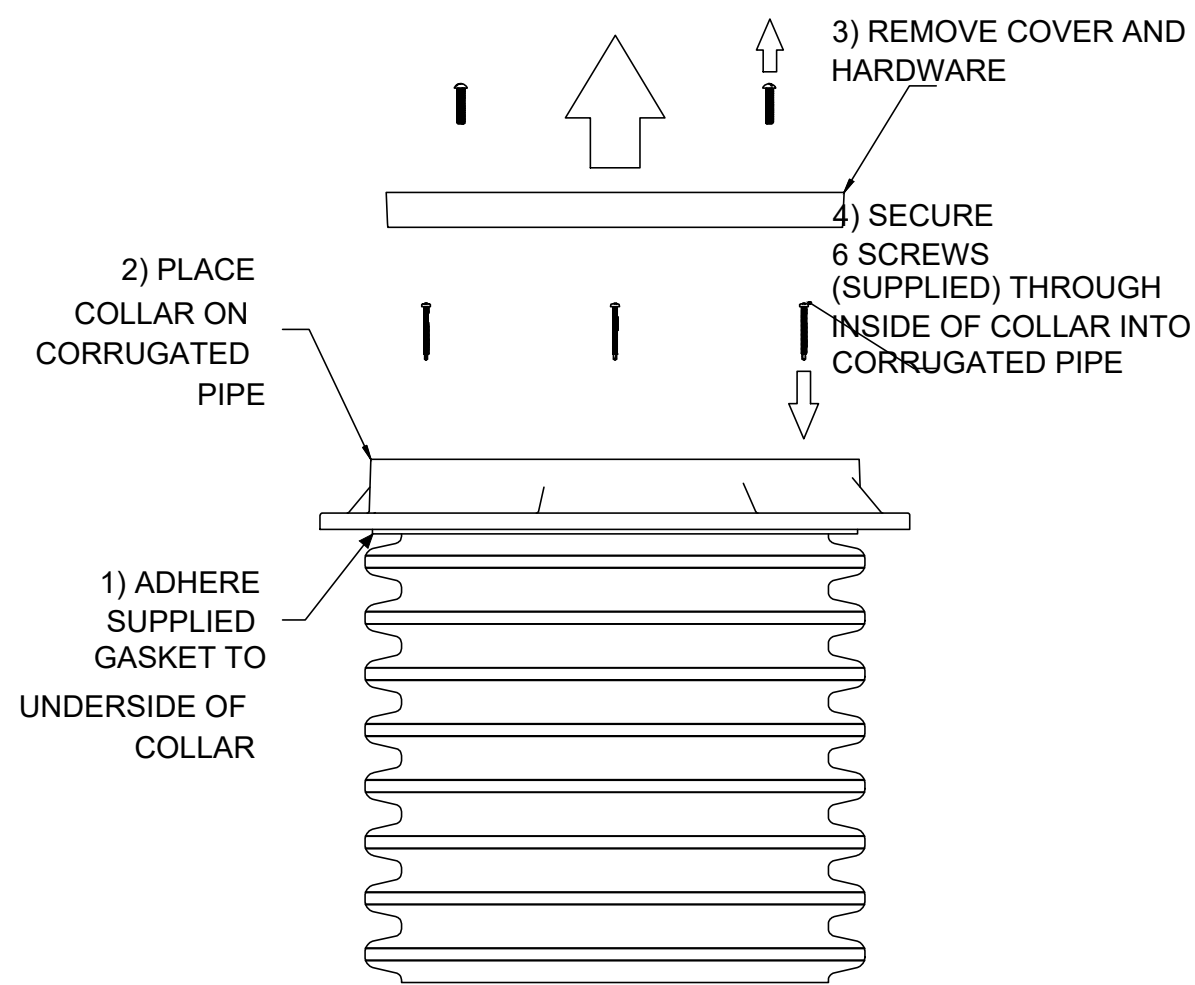
OPTIONS

| | |
|--|---|
| XL-AK | ANCHOR KIT FOR XL-75 AND XL-100 UNITS |
| XL-EXT-44 | LID EXTENSION UP TO 44" (EACH) - 1 REQUIRED FOR XL-50/75-2 FOR XL-100 |
| XL-EXT-72 | LID EXTENSION UP TO 72" (EACH) - 1 REQUIRED FOR XL-50/75-2 FOR XL-100 |
| INT-HLA | HIGH LEVEL ALARM AND FLOAT SWITCH (TO BE INSTALLED ON SITE) |
| XL-RPO | REMOTE PUMP OUT CONNECTION |
| XL-RPOK | REMOTE PUMP OUT KIT |
| SB-75 | SEDIMENT BUCKET FOR XL-50/X-75 |
| SB-100 | SEDIMENT BUCKET FOR XL-100 |
| XLV | VENT CONNECTION ON SIDE OR TOP (EACH) |
| F6 | 6" CONNECTIONS IN INTERCEPTOR |
| XL-SP | EXTERNAL SAMPLING PORT (INLINE OR OFF-SET) FOR XL & SS INTERCEPTORS |
| XL-T | FEMALE THREADED CONNECTIONS |
| CONTACT T&C FOR ADDITIONAL ACCESSORIES | |

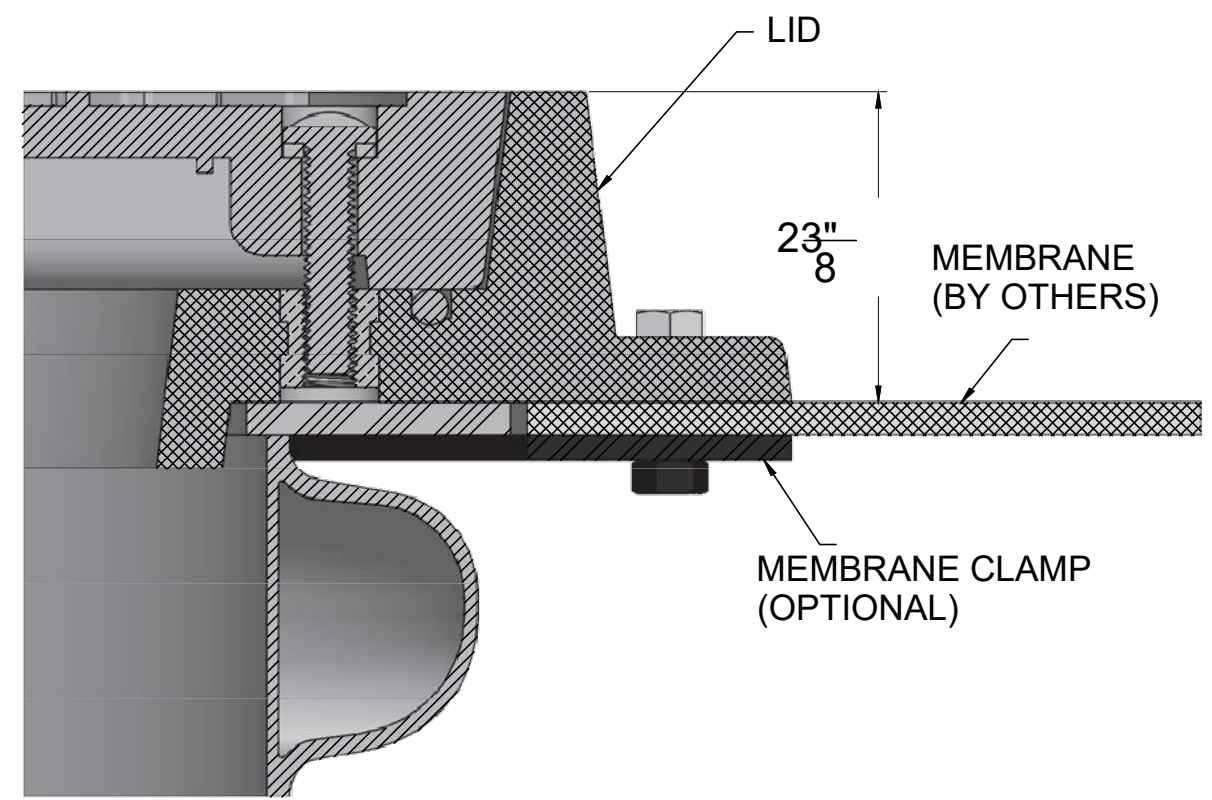


| | | | | | | | | |
|--|----------------------|-------|------|-------------------------------------|--------------|-----------|------|--|
| UNLESS STATED OTHERWISE DIMENSIONS ARE IN INCHES | MATERIAL: HDPE | | | TITLE: GI-XL-100 INTERCEPTOR | | XL SERIES | REV: | T&C PLASTICS WWW.TANDCPLASTICS.COM 732-780-5300 |
| | WEIGHT [lb]: | | NAME | DATE | SHEET 1 OF 1 | SIZE: | | |
| | DO NOT SCALE DRAWING | DRAWN | DR | 09/10/2022 | SCALE: 1:2 | | | |
| THE INFORMATION CONTAINED IN THIS DRAWING IS THE SOLE PROPERTY OF TOWN & COUNTRY PLASTICS LLC. ANY REPRODUCTION IN PART OR AS A WHOLE WITHOUT THE WRITTEN PERMISSION OF TOWN & PLASTICS LLC IS PROHIBITED. | | | | | | | | |

LID INSTALLATION DETAILS

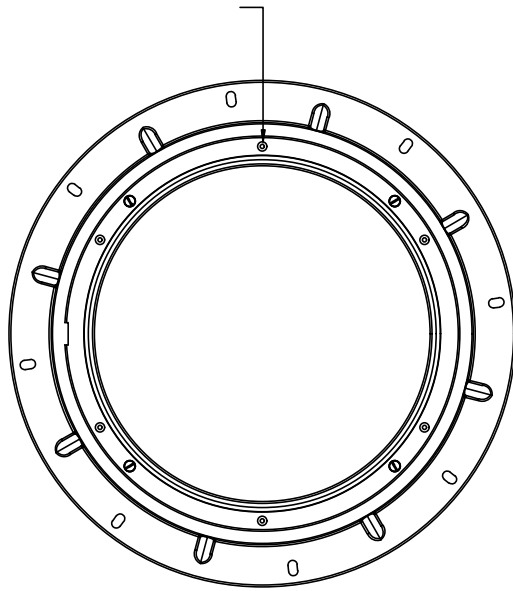


ANCHOR FLANGE AND MEMBRANE CLAMP DETAILS

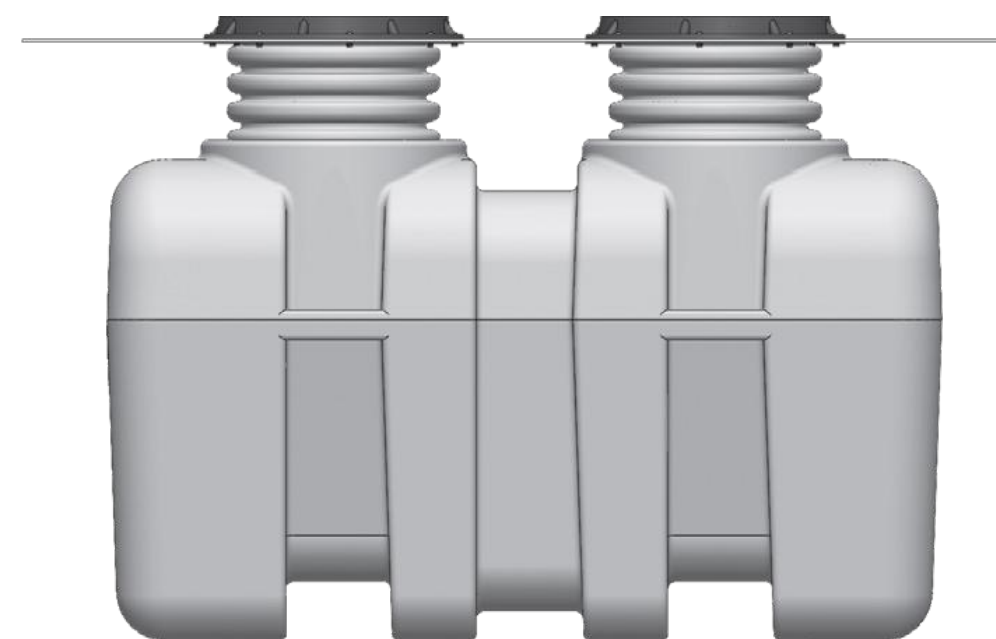
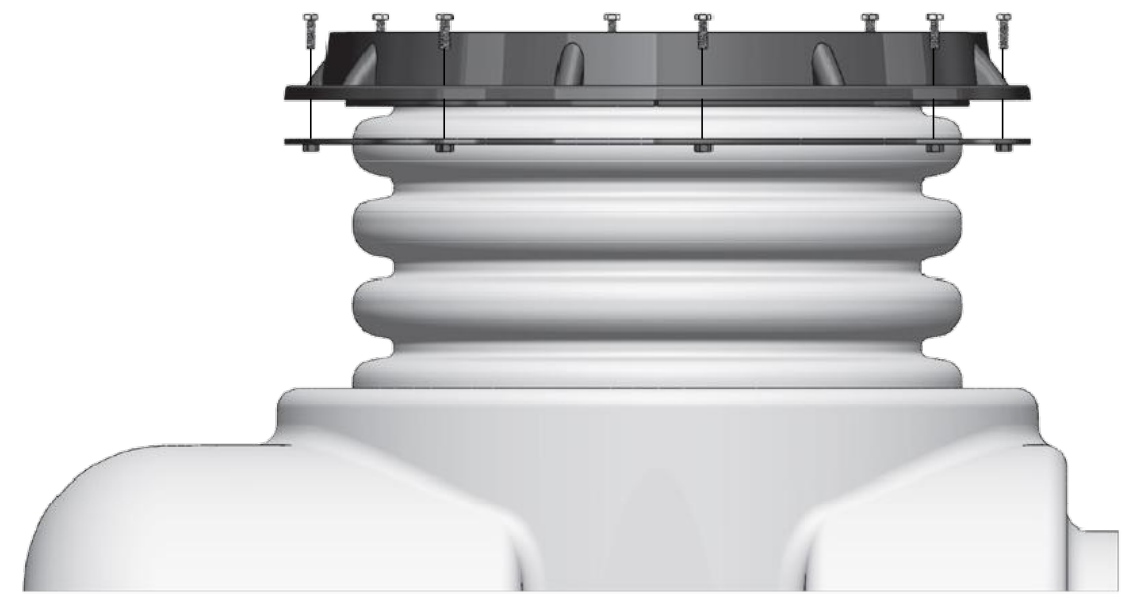
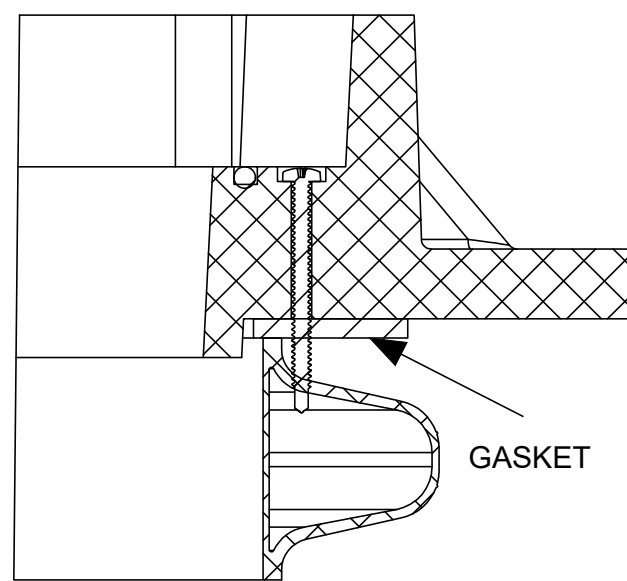


PLAN VIEW OF COLLAR

DRILLING POSITION FOR SCREWS WILL BE FOUND UNDER LID (6 HOLES)



CROSS SECTION VIEW OF STEP 4



| | | | | | | | |
|--|----------------------|----------|----------------------------|---------|----------------------|-------|---|
| UNLESS STATED OTHERWISE DIMENSIONS ARE IN INCHES | MATERIAL: HDPE | | TITLE: XL & SS LID INSTALL | | SERIES: INTERCEPTORS | REV: | WWW.TANDCPLASTICS.COM 732-780-5300 |
| | WEIGHT [lb]: | NAME | DATE | | SHEET 1 OF 1 | SIZE: | |
| | DO NOT SCALE DRAWING | DRAWN DR | 10/18/2022 | CHECKED | SCALE: 1:2 | | |

THE INFORMATION CONTAINED IN THIS DRAWING IS THE SOLE PROPERTY OF TOWN & COUNTRY PLASTICS LLC. ANY REPRODUCTION IN PART OR AS A WHOLE WITHOUT THE WRITTEN PERMISSION OF TOWN & PLASTICS LLC IS PROHIBITED.