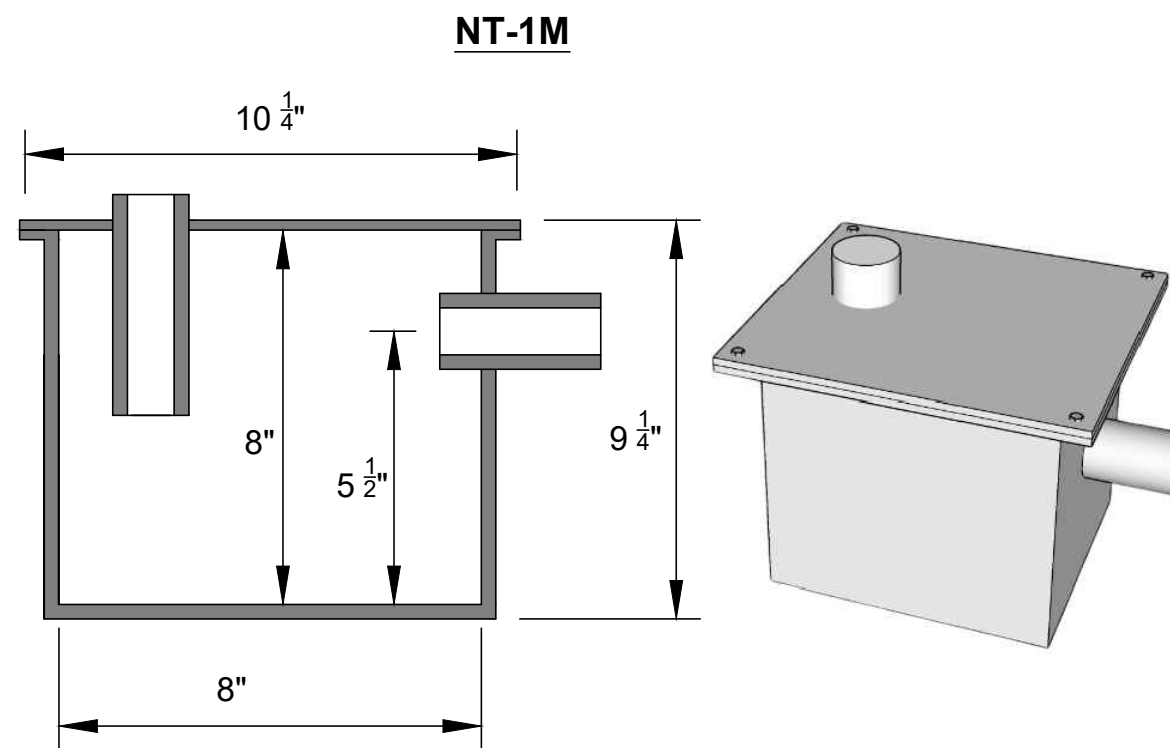
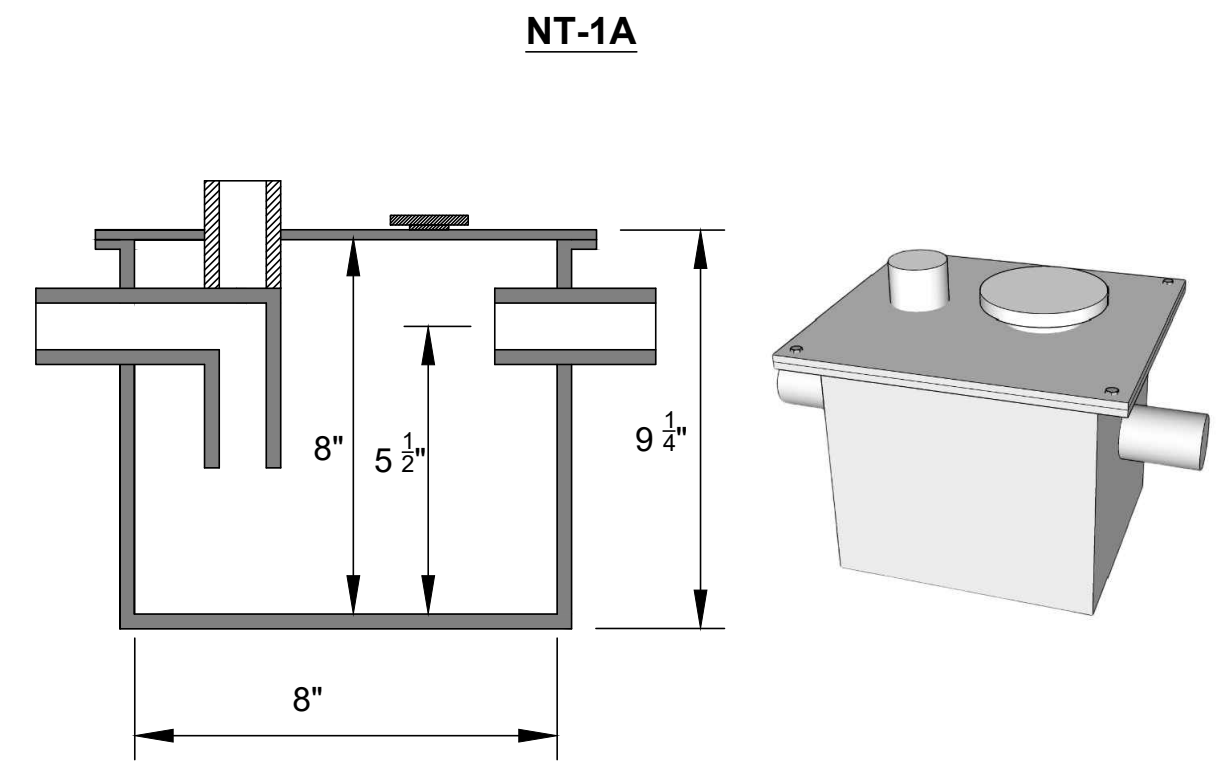


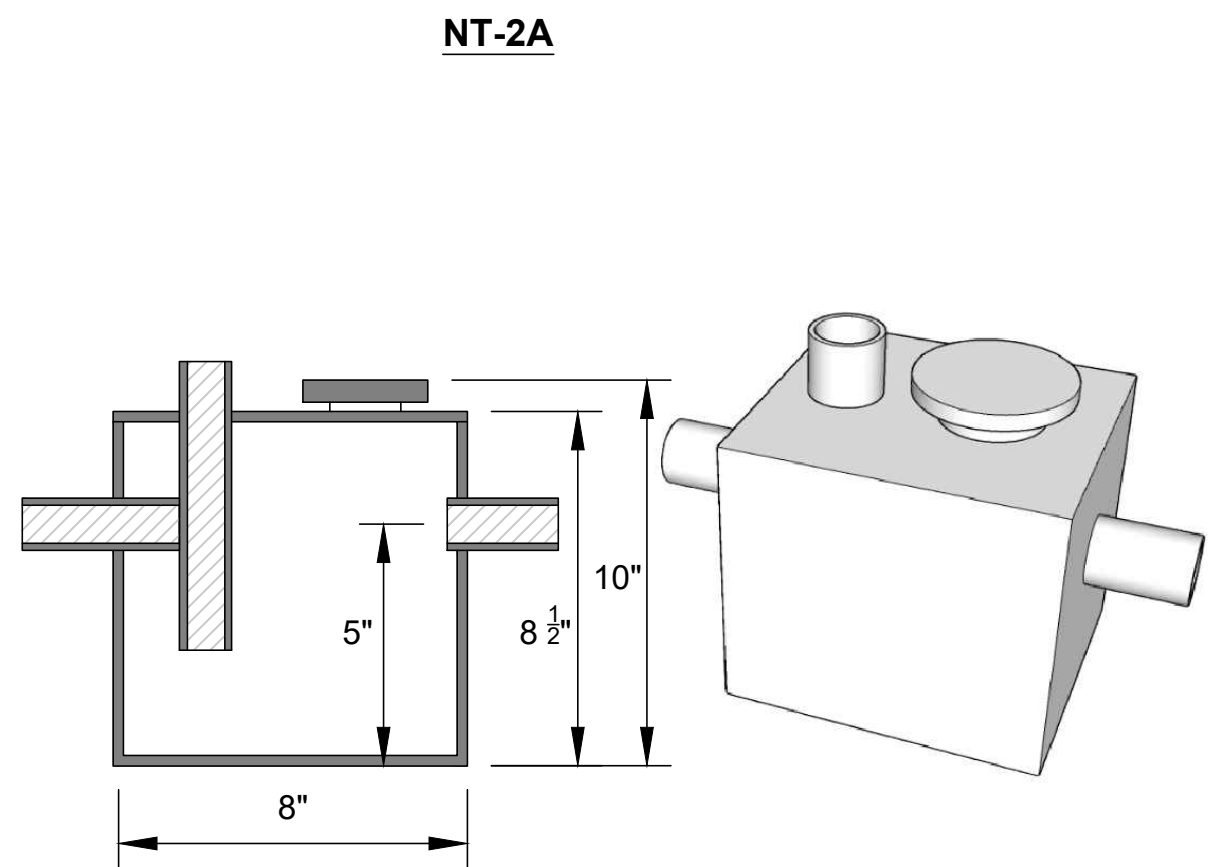
NT-1 IS A SIDE INLET AND OUTLET WITH BOLTED AND GASKETED COVER.



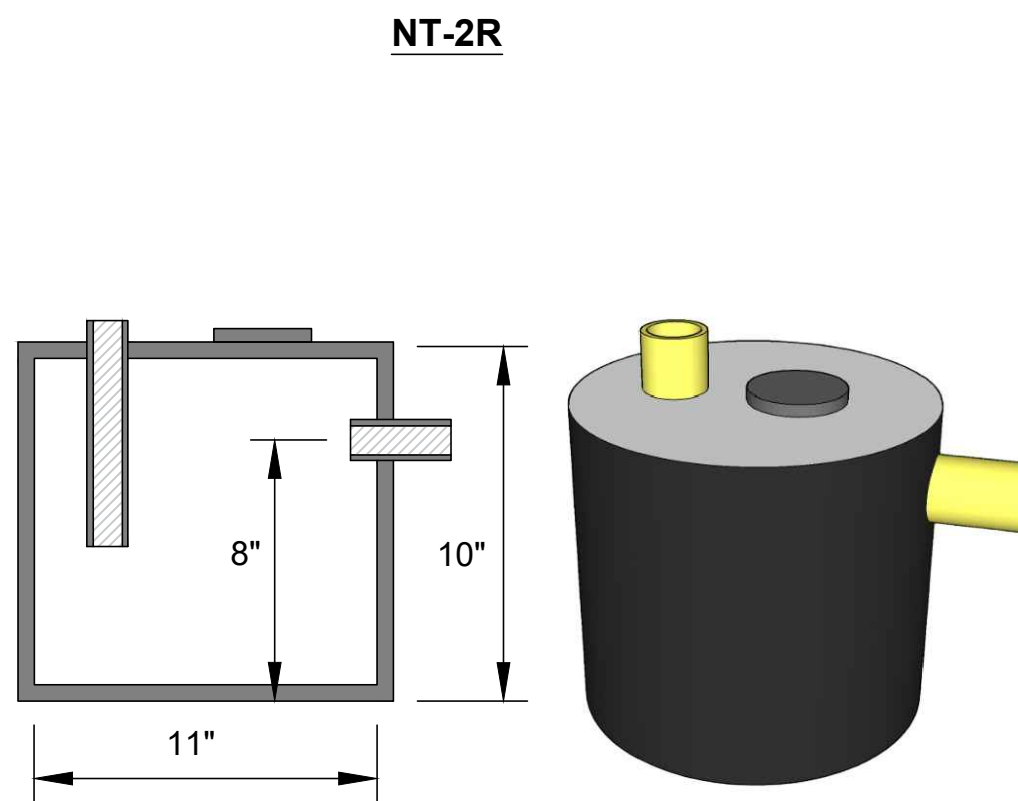
THE NT-1M IS A TOP INLET AND SIDE OUTLET.



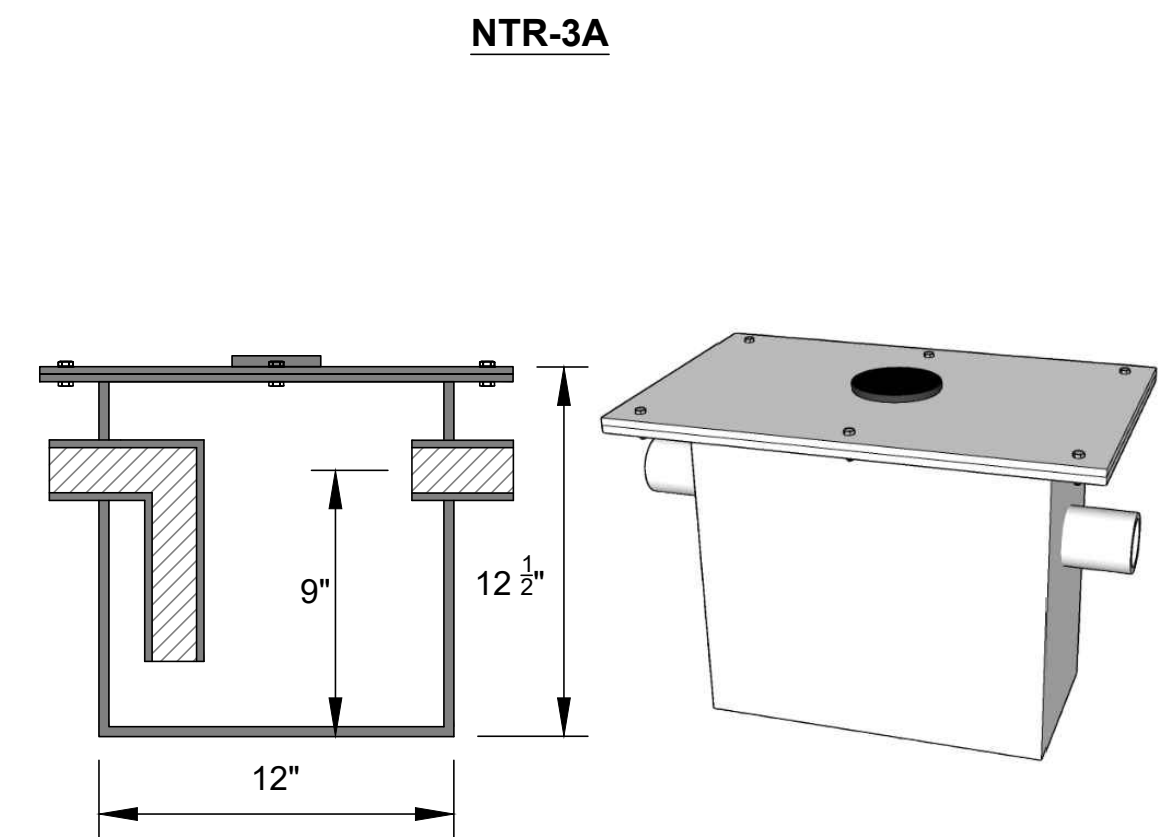
THE NT-1A HAS A CLEANOUT AND IS AVAILABLE WITH A TOP OR SIDE INLET AND SIDE OUTLET.



THE NT-2A IS A SEALED RECTANGULAR TANK WITH TOP OR SIDE INLET, OUTLET, AND CLEANOUT.



THE NT-2R IS A ROUND TANK WITH FEMALE TOP INLET, SIDE OUTLET, WELDED OVER, AND THREADED CLEANOUT.



THE NT-3A IS SIDE INLET AND OUTLET WITH THREADED CLEANOUT.

TANK GALLON CAPACITY:	WELDED BY:	UNLESS STATED OTHERWISE DIMENSIONS ARE IN INCHES	MATERIAL:			TITLE: DILUTION TANK OPTIONS	NT SERIES	REV:	 WWW.TANDCPLASTICS.COM 732-780-5300
TANK GALLON CAPACITY WITH LIMESTONE:	COMPLETED BY:		WEIGHT [lb]:	NAME	DATE		SHEET 1 OF 1	SIZE:	
LIMESTONE REQUIRED:	REVIEWED BY:		DO NOT SCALE DRAWING	DRAWN	DR		08/30/2022	SCALE: 1:2	
THE INFORMATION CONTAINED IN THIS DRAWING IS THE SOLE PROPERTY OF TOWN & COUNTRY PLASTICS LLC. ANY REPRODUCTION IN PART OR AS A WHOLE WITHOUT THE WRITTEN PERMISSION OF TOWN & PLASTICS LLC IS PROHIBITED.									