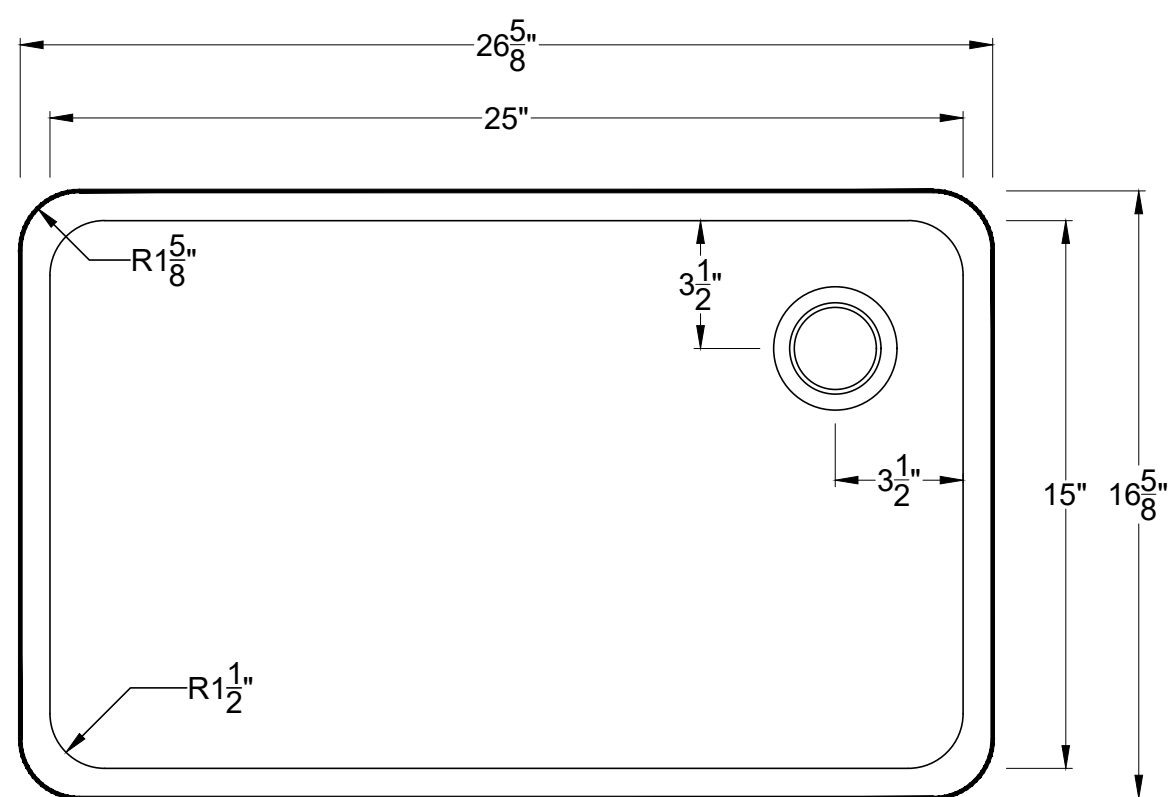
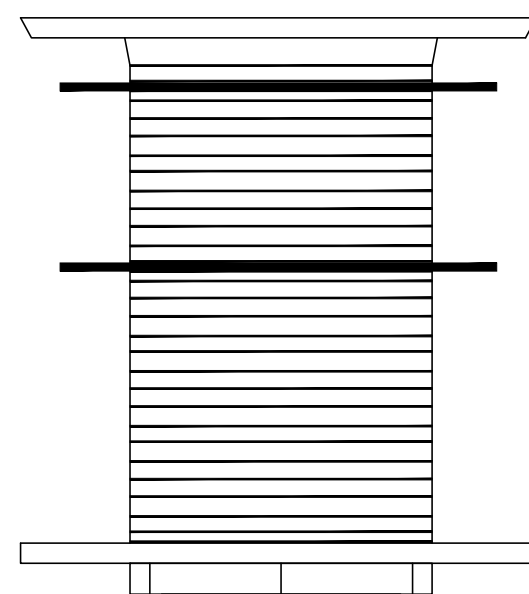
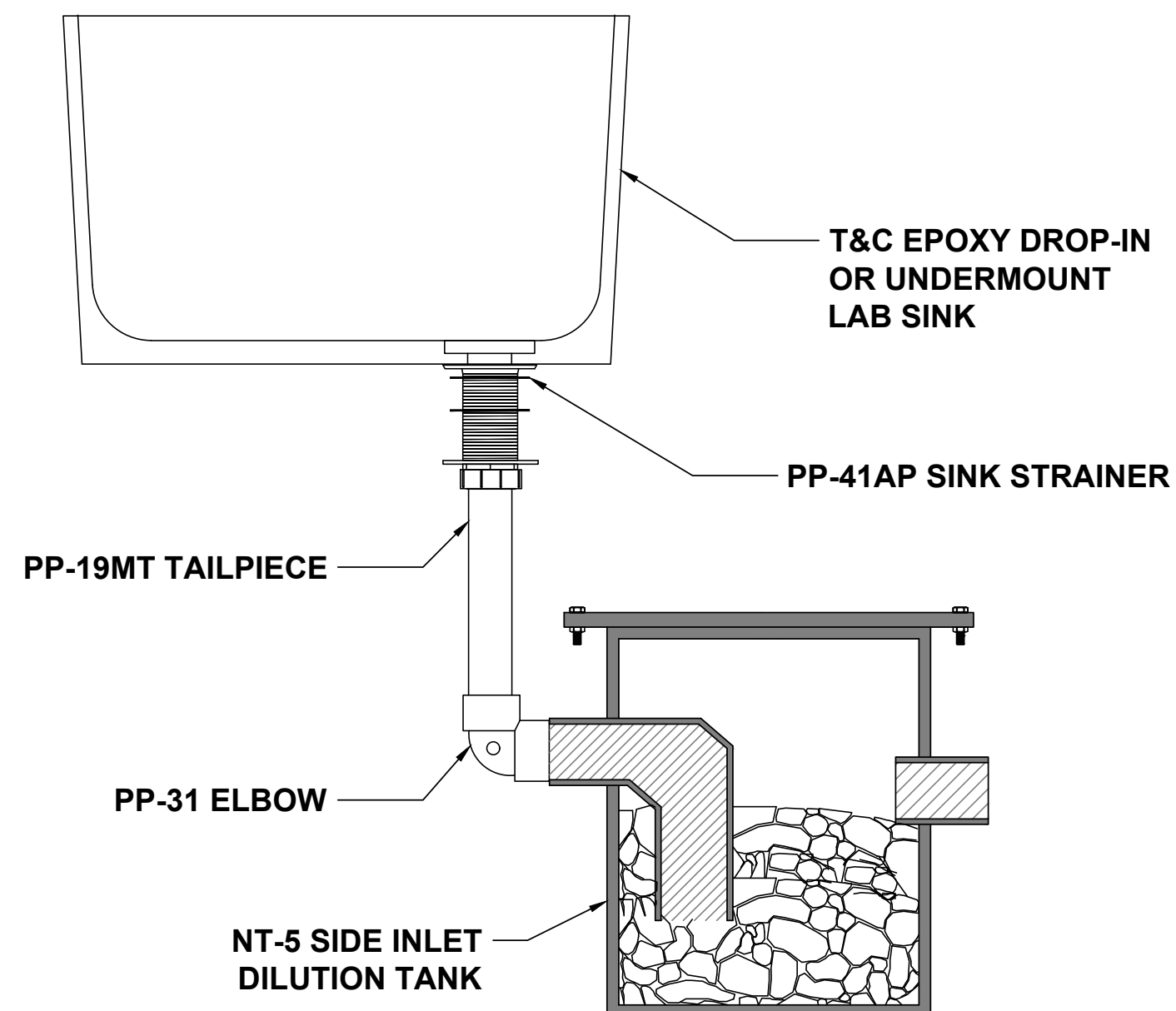


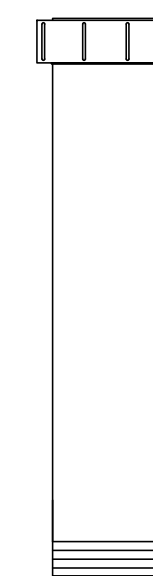
SECTION VIEW



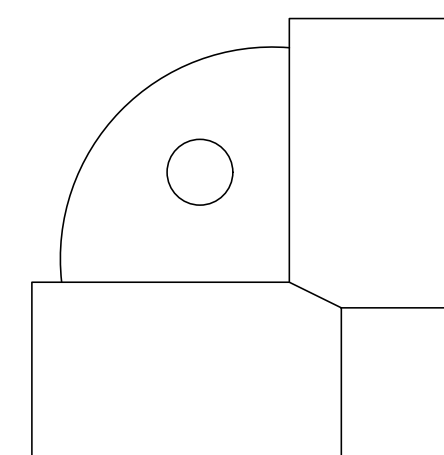
TOP VIEW



PP-41AP



PP-19MT



PP-31

NOTES:

| | | | |
|--|----------------------|---------|------------|
| UNLESS STATED OTHERWISE DIMENSIONS ARE IN INCHES | MATERIAL: | | |
| | WEIGHT [lb]: | NAME | DATE |
| | DO NOT SCALE DRAWING | CHECKED | 03/01/2023 |

TITLE: **DROP IN SINKS**

| | |
|--------------|-------|
| D-57 | REV: |
| SHEET 1 OF 1 | SIZE: |
| SCALE: N/A | |

T&C PLASTICS
 WWW.TANDCPLASTICS.COM
 732-780-5300

THE INFORMATION CONTAINED IN THIS DRAWING IS THE SOLE PROPERTY OF TOWN & COUNTRY PLASTICS LLC. ANY REPRODUCTION IN PART OR AS A WHOLE WITHOUT THE WRITTEN PERMISSION OF TOWN & PLASTICS LLC IS PROHIBITED.