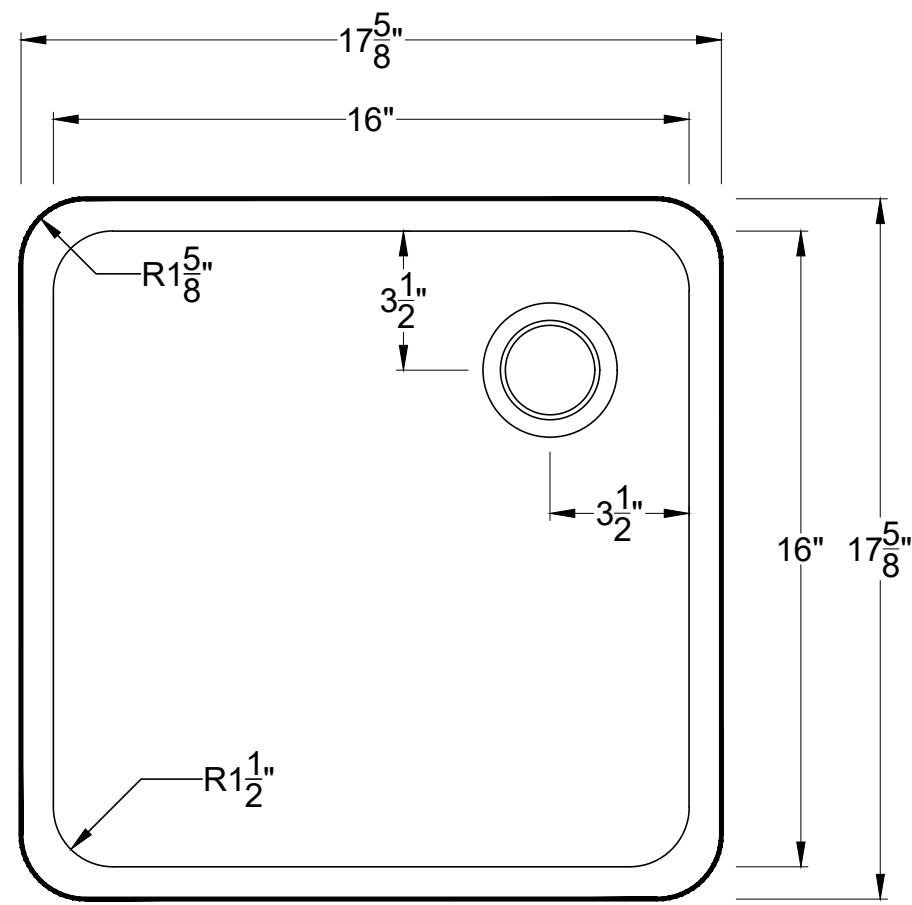
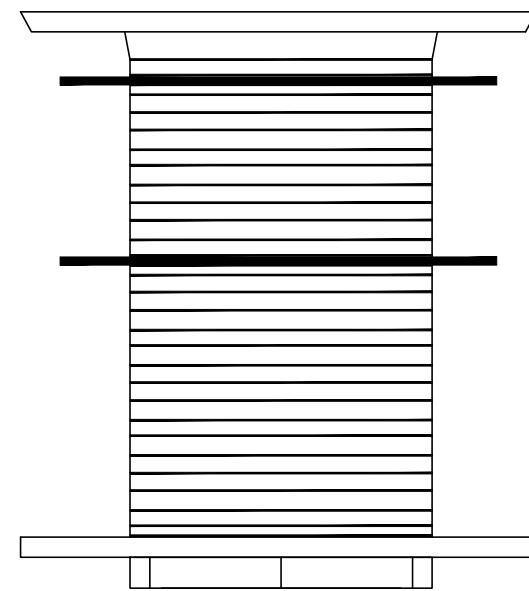
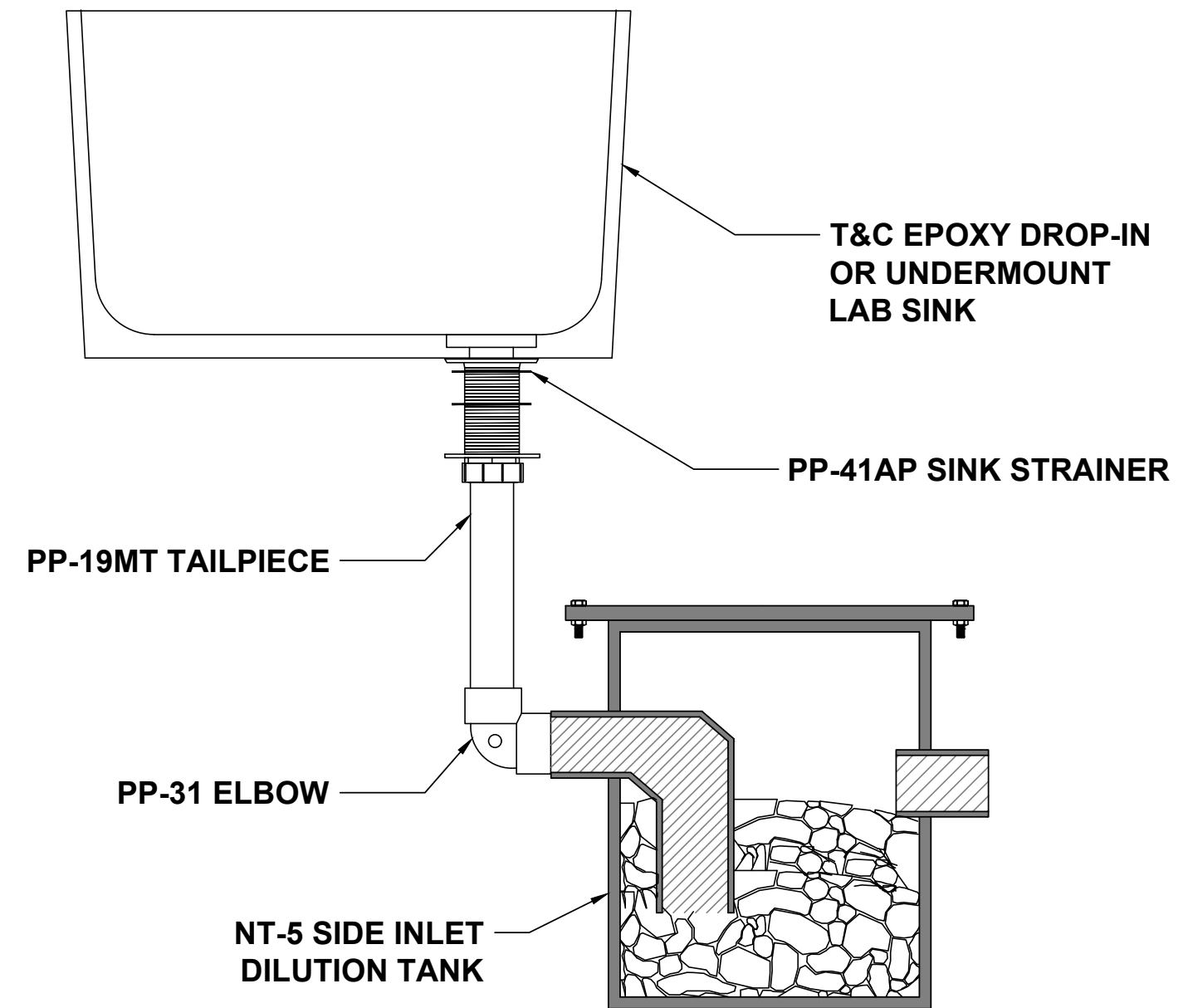


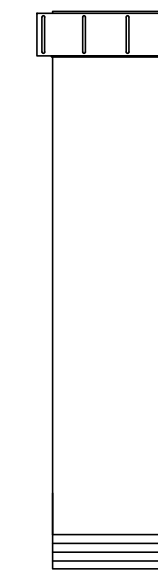
**SECTION VIEW**



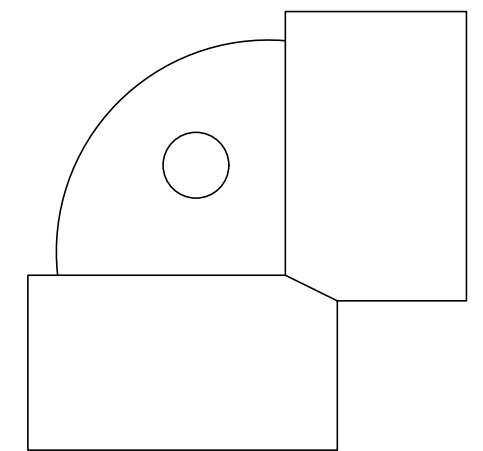
**TOP VIEW**



**PP-41AP**



**PP-19MT**



**PP-31**

**NOTES:**

UNLESS STATED OTHERWISE DIMENSIONS ARE IN INCHES	MATERIAL:		
	WEIGHT [lb]:	NAME	DATE
	DO NOT SCALE DRAWING	CHECKED	03/01/2023

TITLE: **DROP IN SINKS**

**D-21**  
SHEET 1 OF 1  
SCALE: N/A

REV:  
SIZE:

**T&C PLASTICS**  
WWW.TANDCPLASTICS.COM  
732-780-5300

THE INFORMATION CONTAINED IN THIS DRAWING IS THE SOLE PROPERTY OF TOWN & COUNTRY PLASTICS LLC. ANY REPRODUCTION IN PART OR AS A WHOLE WITHOUT THE WRITTEN PERMISSION OF TOWN & PLASTICS LLC IS PROHIBITED.