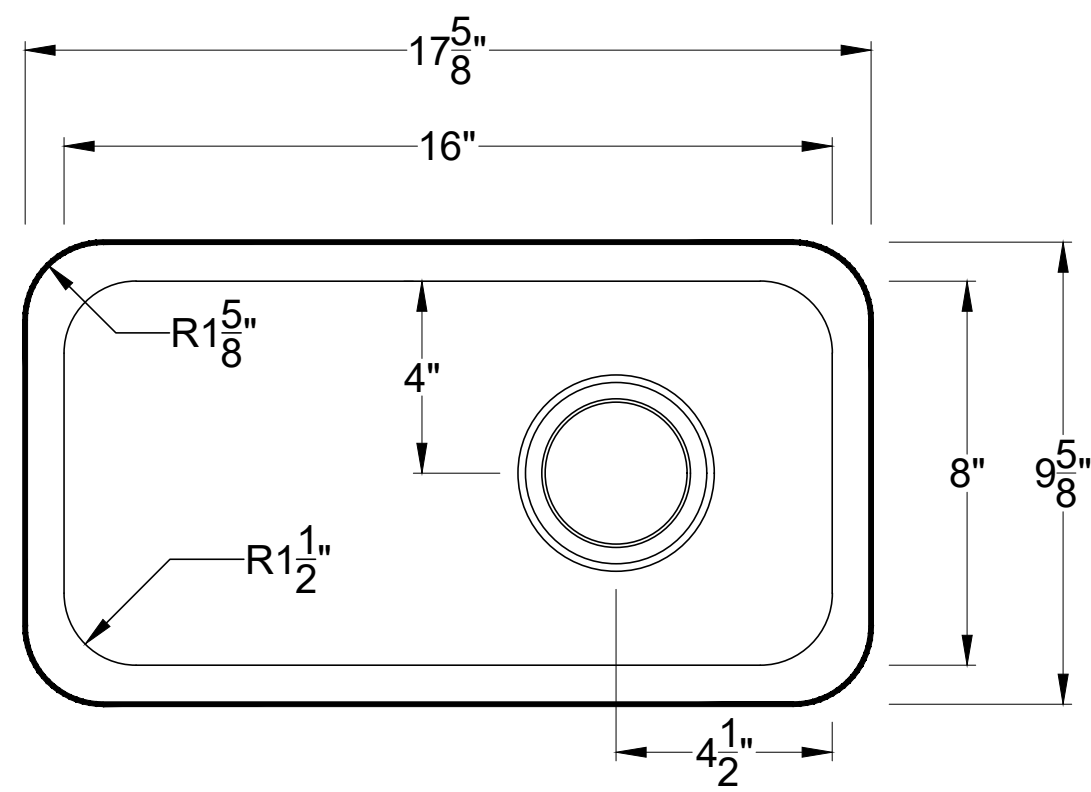
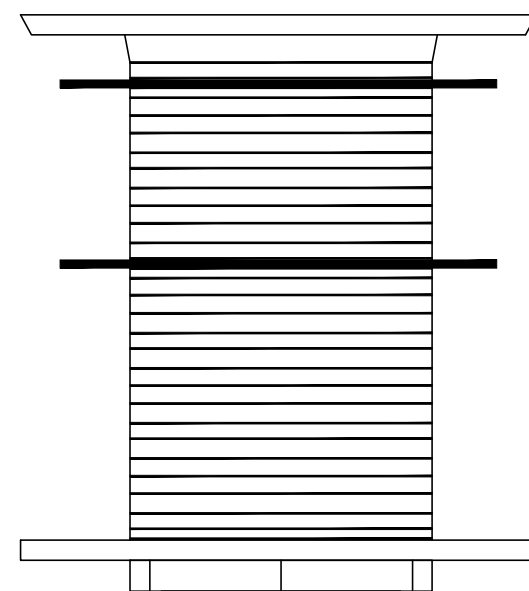
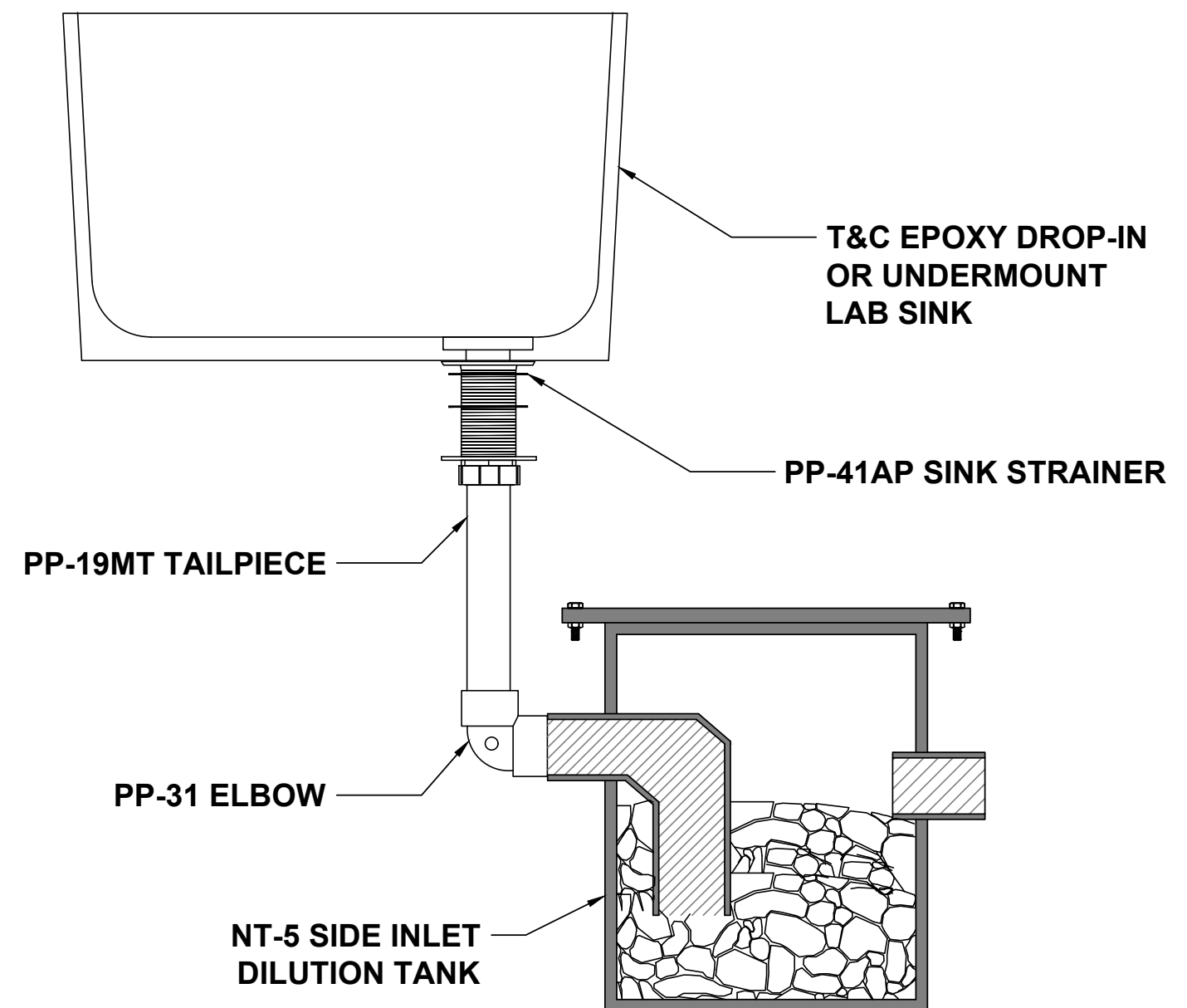


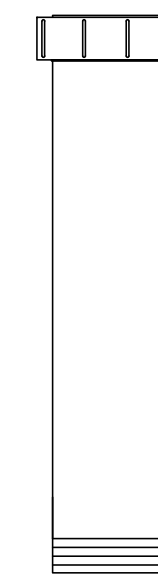
SECTION VIEW



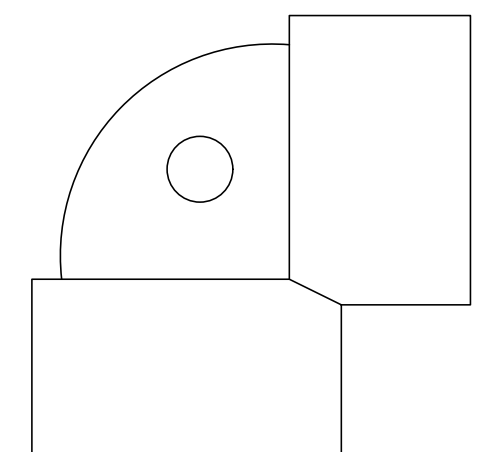
TOP VIEW



PP-41AP



PP-19MT



PP-31

NOTES:

| | | | |
|--|----------------------|---------|------|
| UNLESS STATED OTHERWISE DIMENSIONS ARE IN INCHES | MATERIAL: | | |
| | WEIGHT [lb]: | NAME | DATE |
| | DO NOT SCALE DRAWING | CHECKED | |

| | |
|--------|----------------------|
| TITLE: | DROP IN SINKS |
| REV: | |
| SIZE: | |

| |
|--------------|
| D-10E |
| SHEET 1 OF 1 |
| SCALE: N/A |

T&C
PLASTICS
WWW.TANDCPLASTICS.COM
732-780-5300

THE INFORMATION CONTAINED IN THIS DRAWING IS THE SOLE PROPERTY OF TOWN & COUNTRY PLASTICS LLC. ANY REPRODUCTION IN PART OR AS A WHOLE WITHOUT THE WRITTEN PERMISSION OF TOWN & PLASTICS LLC IS PROHIBITED.