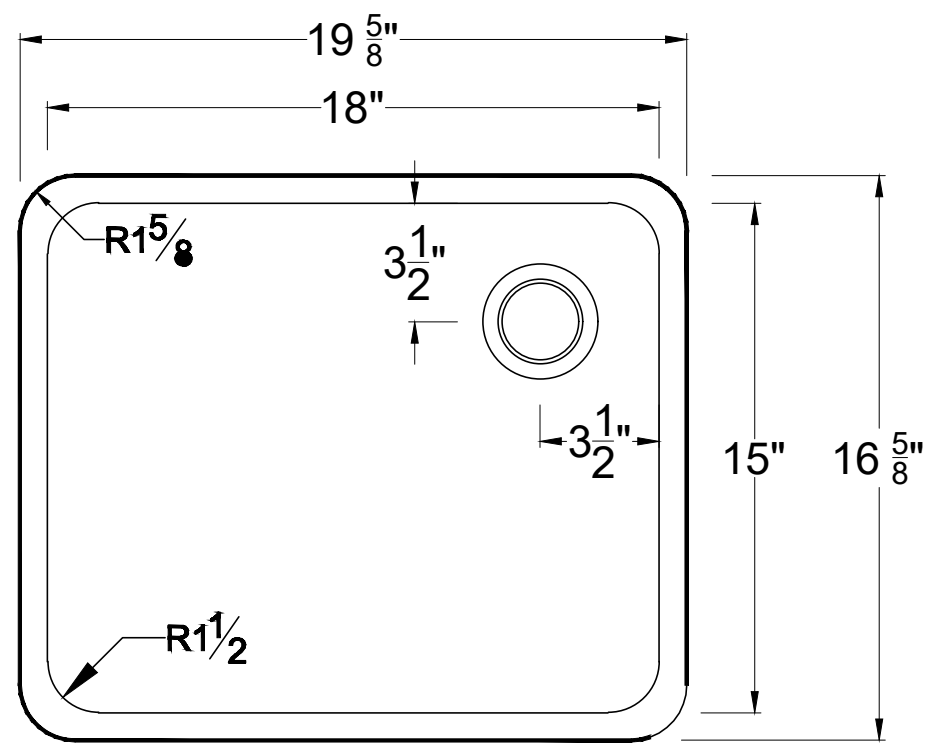
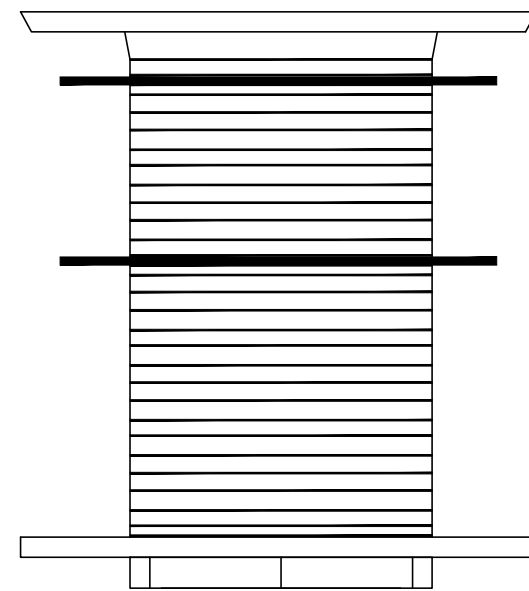
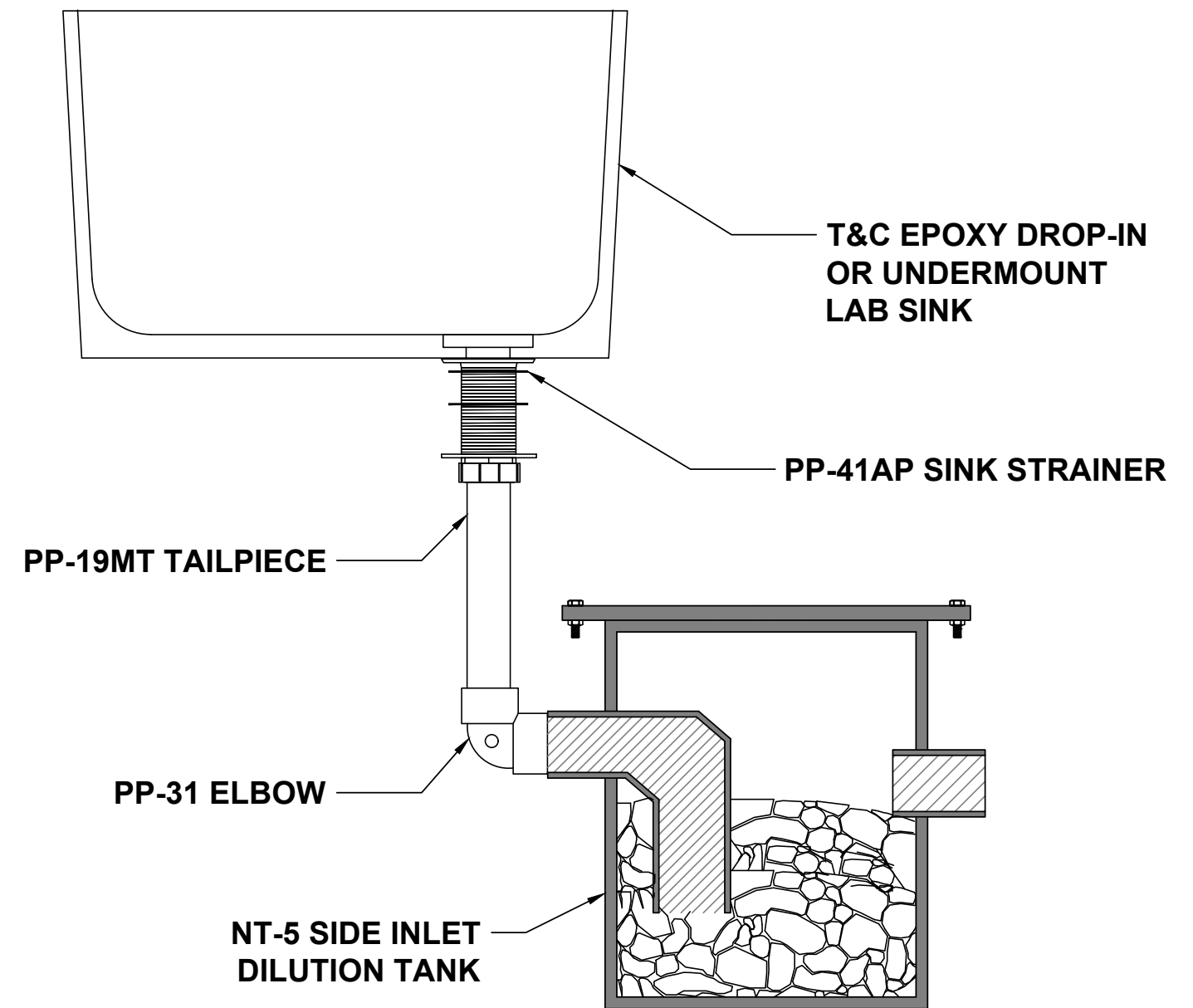


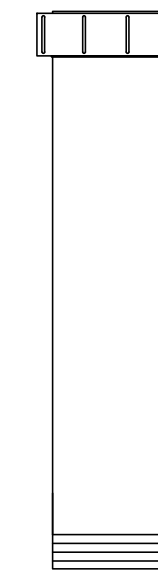
**SECTION VIEW**



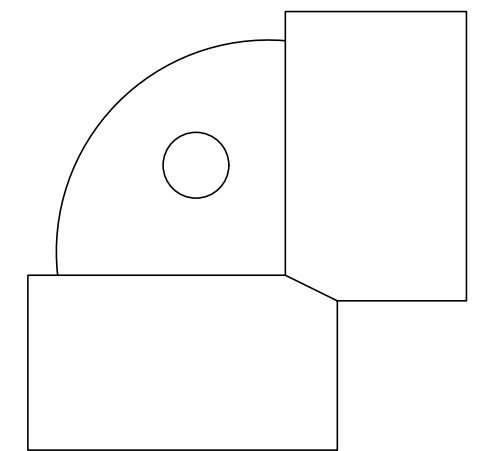
**TOP VIEW**



**PP-41AP**



**PP-19MT**



**PP-31**

**NOTES:**

UNLESS STATED OTHERWISE DIMENSIONS ARE IN INCHES

MATERIAL:			
WEIGHT [lb]:		NAME	DATE
DO NOT SCALE DRAWING		DRAWN	DR
		CHECKED	03/01/2023

TITLE:  
**ADA COMPLIANT  
DROP IN SINKS**

<b>A-25</b>	REV:
SHEET 1 OF 1	SIZE:
SCALE: N/A	

**T&C  
PLASTICS**  
WWW.TANDCPLASTICS.COM  
732-780-5300

THE INFORMATION CONTAINED IN THIS DRAWING IS THE SOLE PROPERTY OF TOWN & COUNTRY PLASTICS LLC. ANY REPRODUCTION IN PART OR AS A WHOLE WITHOUT THE WRITTEN PERMISSION OF TOWN & PLASTICS LLC IS PROHIBITED.