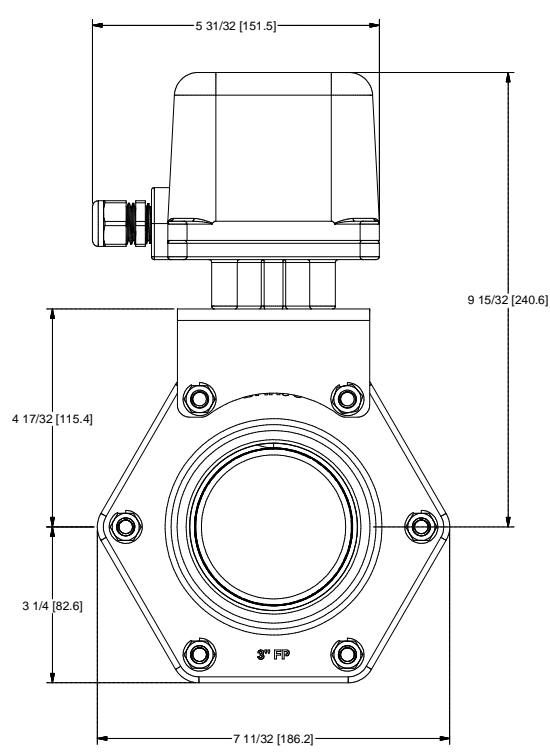
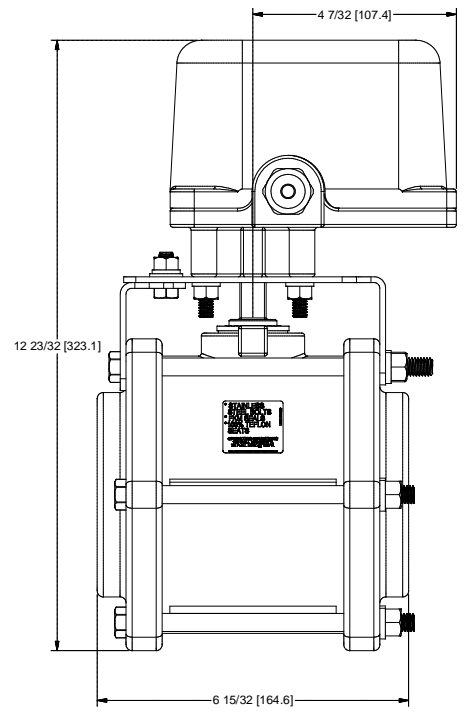
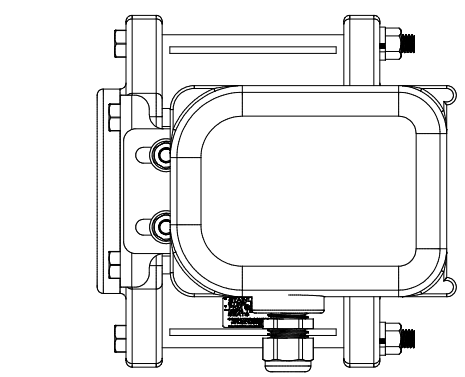
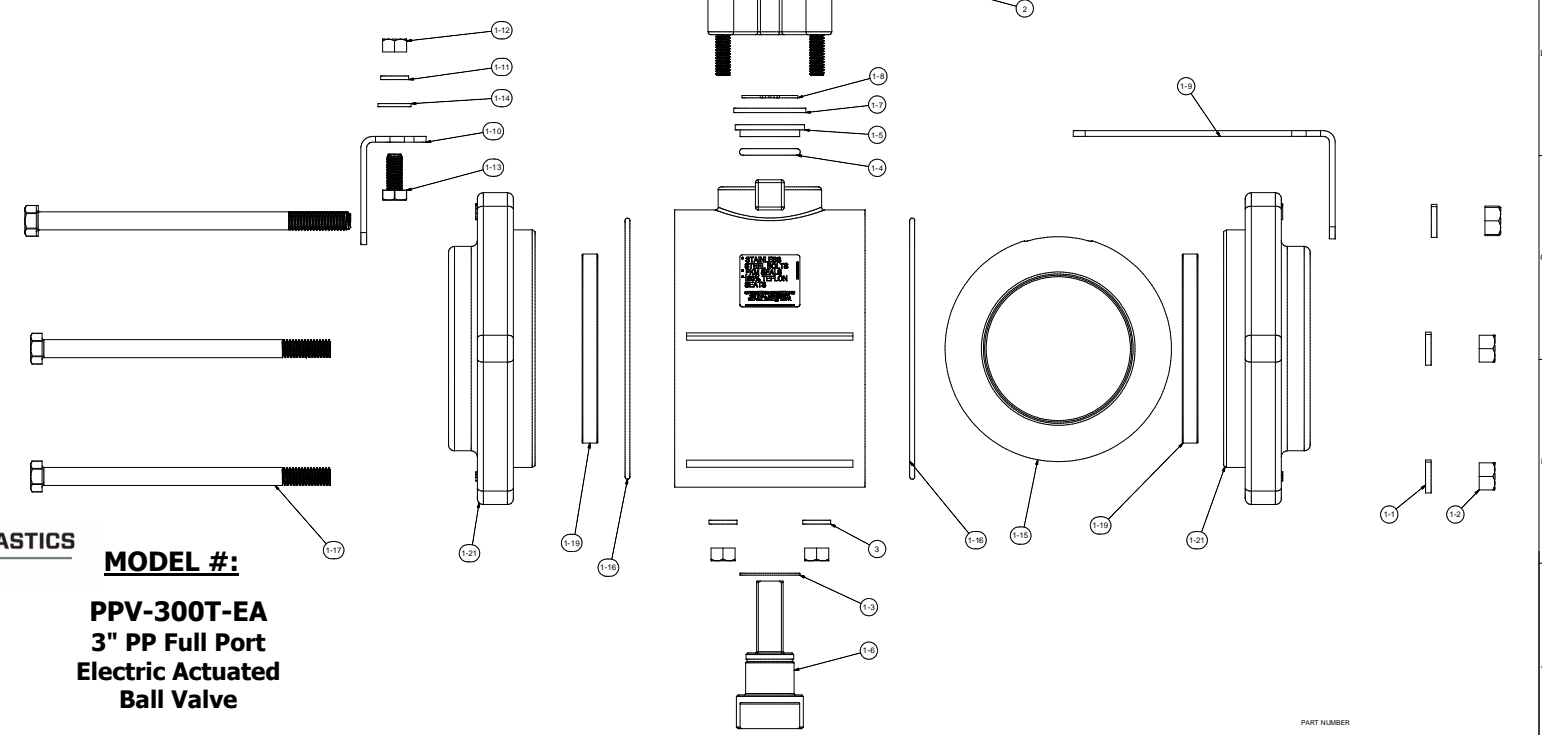


ITEM QTY		DESCRIPTION
1	1	3" FP Electric Valve Only
1-1	6	3/8" LOCKWASHER
1-2	6	3/8" HEX NUT
1-3	1	VALVE STEM THRUST BEARING
1-4	1	#214 FKM O-RING
1-5	1	Stem Bushing
1-6	1	Electric Valve Stem SS
1-7	1	1" 18-8SS Shim
1-8	1	1" External Snap Ring - SS
1-9	1	4" Valve Actuator Large Bracket
1-10	1	4" Valve Actuator Small Bracket
1-11	2	5/16" LOCKWASHER
1-12	2	5/16" HEX NUT
1-13	2	5/16-18 X 3/4" HHCS
1-14	2	5/16" FLAT WASHER
1-15	1	3" FP SS Hollow Ball
1-16	2	3" FP body O-ring FKM
1-17	4	3/8"-16 x 6" HHCS, 18-8SS
1-18	2	3/8"-16 x 6.5" HHCS, 18-8SS
1-19	2	3" FP Ball Seat
1-20	1	3" FP VALVE BODY
1-21	2	3" FP End Plate
2	1	Rex Actuator, 12VDC, 3 Sec, 3 Wire
3	4	5/16" LOCKWASHER
4	4	5/16" HEX NUT



Cycle Time: 3 sec / quarter turn
Voltage: 12 VDC



T&C TOWN & COUNTRY PLASTICS
Customized For Precision
 10-B TIMBER LANE
 MARLBORO, NJ 07746
 732-780-5300
 WWW.TANDCPLASTICS.COM

MODEL #:
PPV-300T-EA
3" PP Full Port
Electric Actuated
Ball Valve