



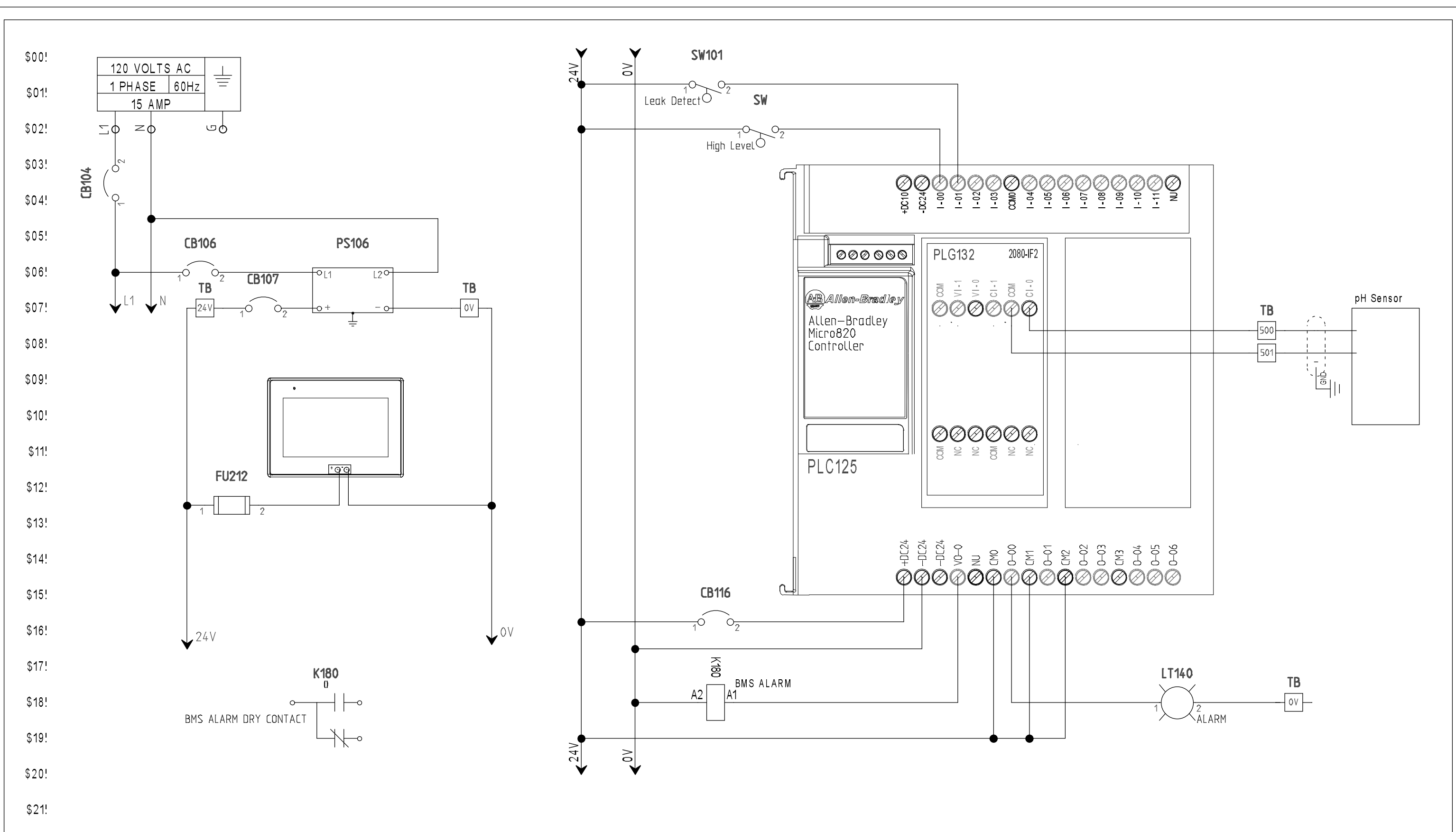
**TOWN & COUNTRY PLASTICS**

*Customized For Precision*

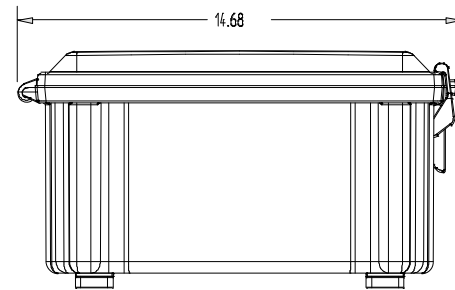
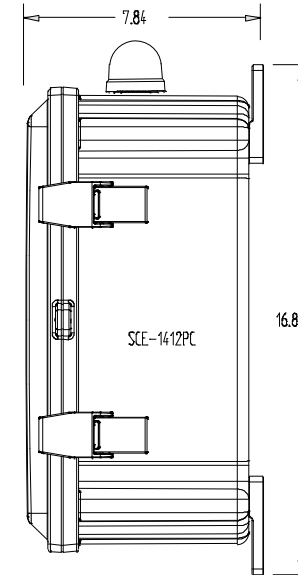
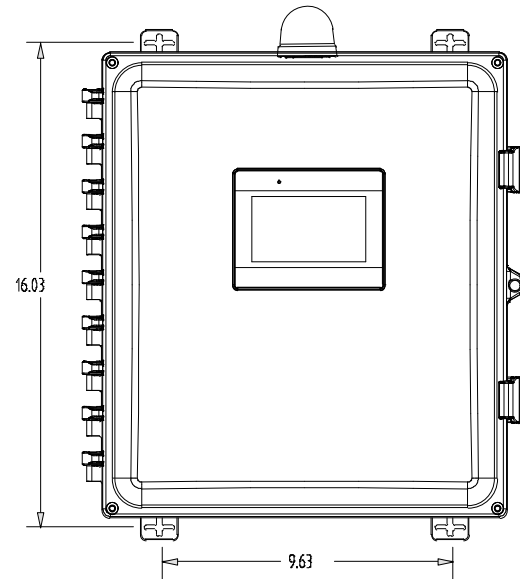
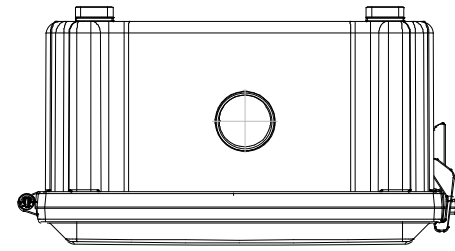
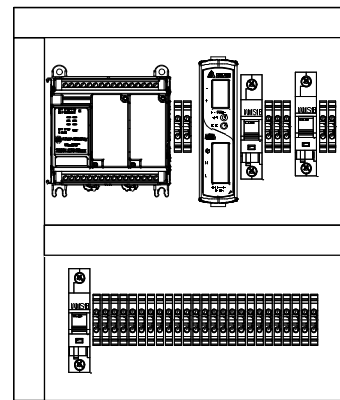
**Project: T&C pH Monitor**

**Model# PHCP-1000\_01pH**

**Document No: 02282022T&C**



	Modifications Since Previous Revision	<b>T&amp;C pH Monitor</b>	Document Number:	Sheet:	Rev. Date:	Rev.:
Modification #1			<b>02282022T&amp;C</b>	<b>3 of 3</b>	2/28/2022 12:57:17 PM	
Modification #2					2/28/2022	
Modification #3						
			<b>T&amp;C</b> Town & Country Plastics, LLC 10 - B Timber Lane Marlboro, NJ 07746		Sheet Created by:	



	Modifications Since Previous Revision
Modification #1	
Modification #2	
Modification #3	

T&C pH Monitor  
Enclosure Layout

Document Number:  
02282022T&C

Sheet:  
2 of 3

Rev. Date: 2/28/2022 12:58:19 PM  
Cre. Date: 2/28/2022

Rev.:

**T&C** Town & Country Plastics, LLC  
10 - B Timber Lane  
Marlboro, NJ 07746

Sheet Created by:

M Vinciguerra