

4

3

2

1

D

D

C

C

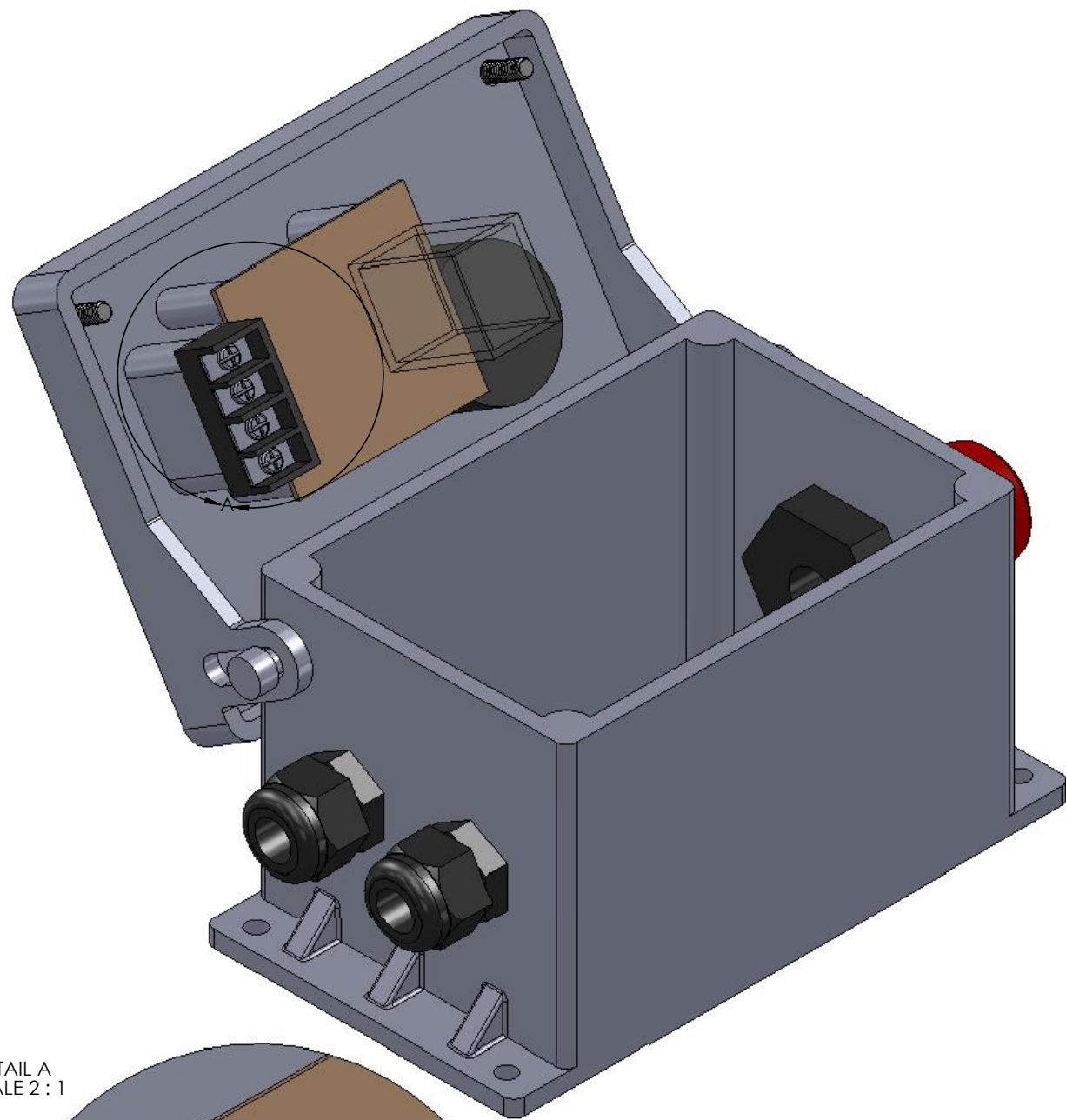
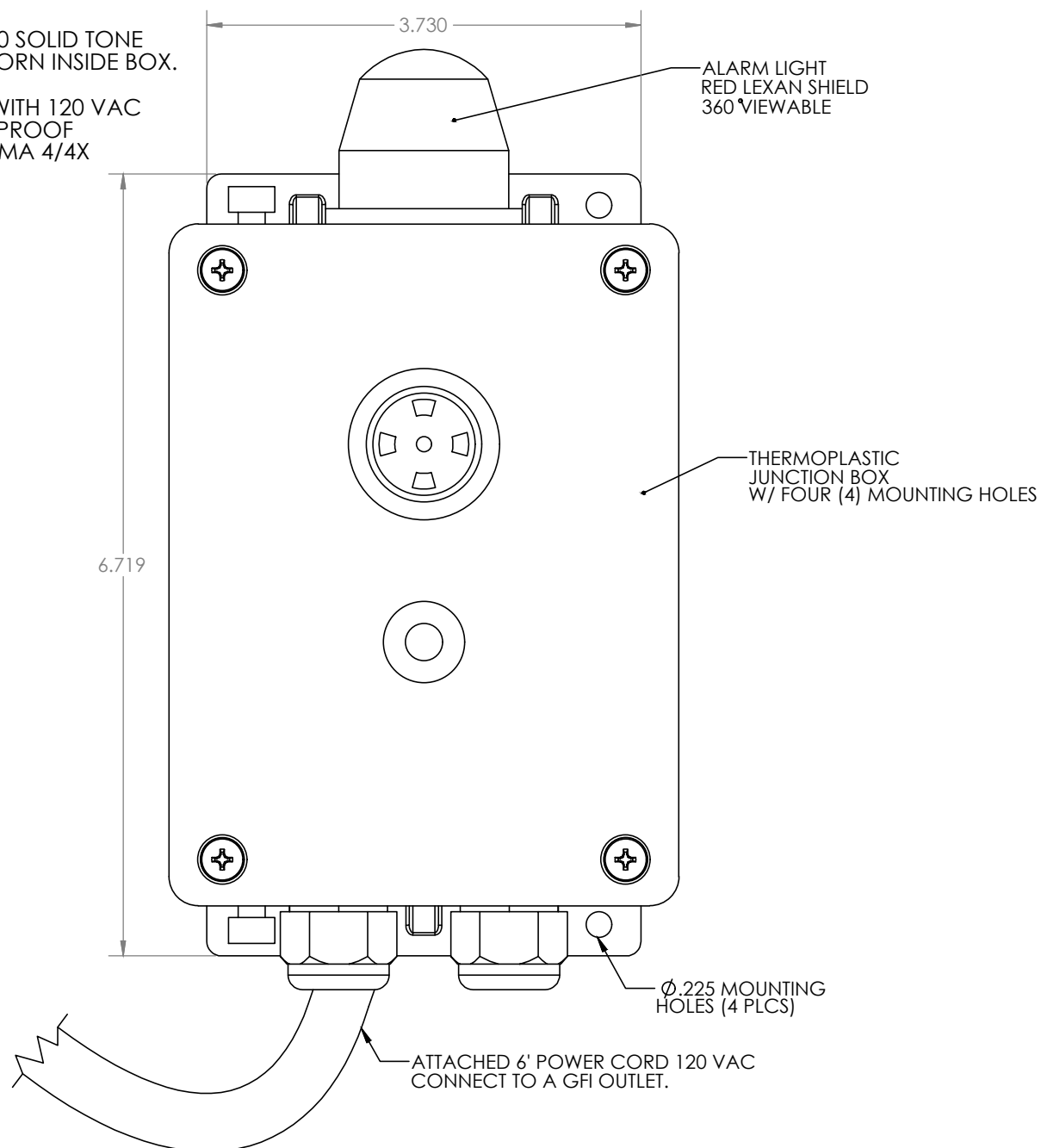
B

B

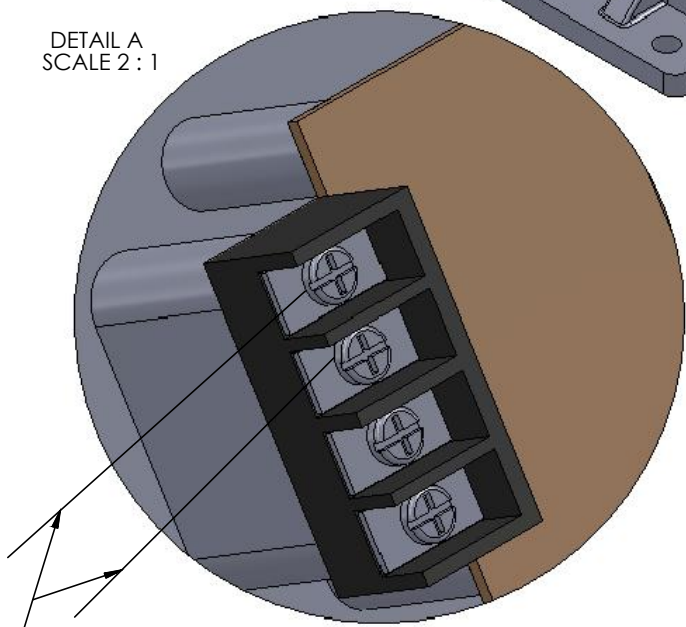
A

A

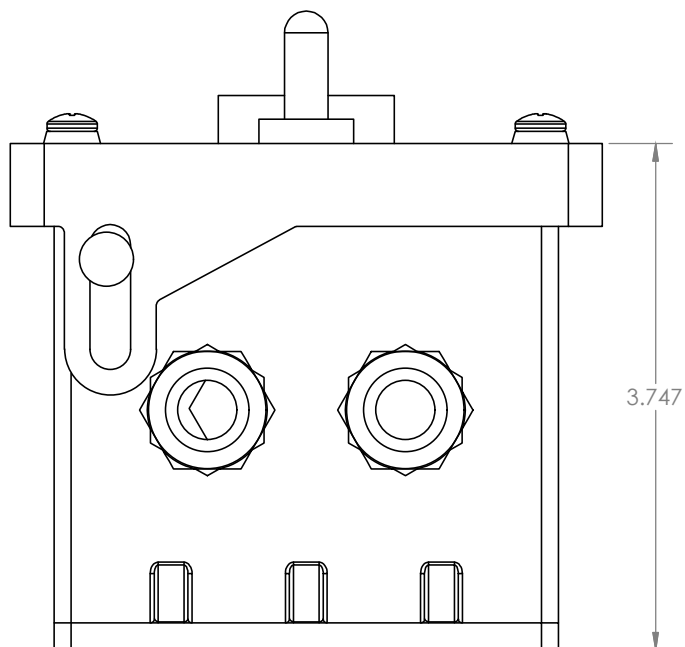
\*NOTE  
85 db e 10 SOLID TONE  
ALARM HORN INSIDE BOX.  
FOR USE WITH 120 VAC  
WEATHERPROOF  
RATED NEMA 4/4X



DETAIL A  
SCALE 2 : 1



\*NOTE  
CONTROL BOX SHALL BE  
MOUNTED TO THE NEAREST WALL  
OR PERMANENT STRUCTURE.



UNLESS STATED OTHERWISE DIMENSIONS ARE IN INCHES	MATERIAL: POLYPROPYLENE				TITLE:  <b>pp-44t Alarm Panel</b>	REV:	 WWW.TANDCPLASTICS.COM 732-780-5300	
	WEIGHT [lb]:		NAME	DATE		SHEET 1 OF 1		SIZE:
	DO NOT SCALE DRAWING		DRAWN	DR		09/10/2022		SCALE: 1:2
THE INFORMATION CONTAINED IN THIS DRAWING IS THE SOLE PROPERTY OF TOWN & COUNTRY PLASTICS LLC. ANY REPRODUCTION IN PART OR AS A WHOLE WITHOUT THE WRITTEN PERMISSION OF TOWN & PLASTICS LLC IS PROHIBITED.								

4

3

2

1