

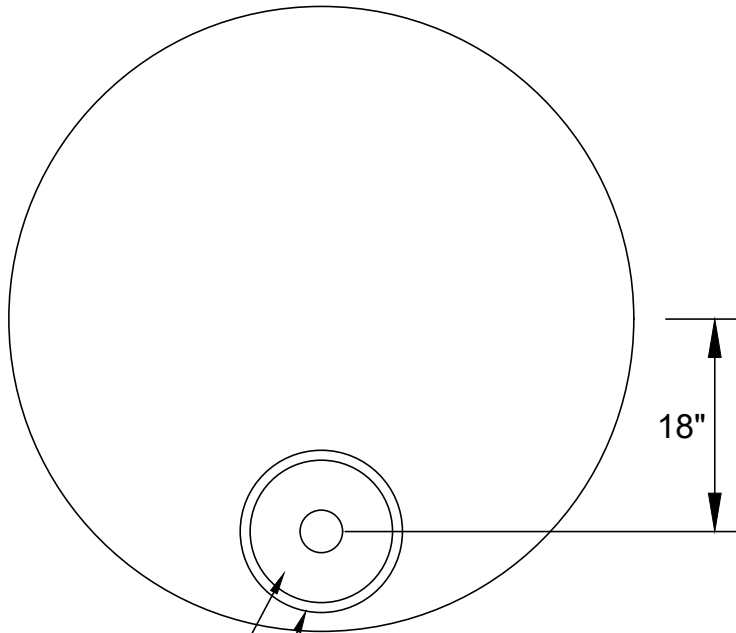
4

3

2

1

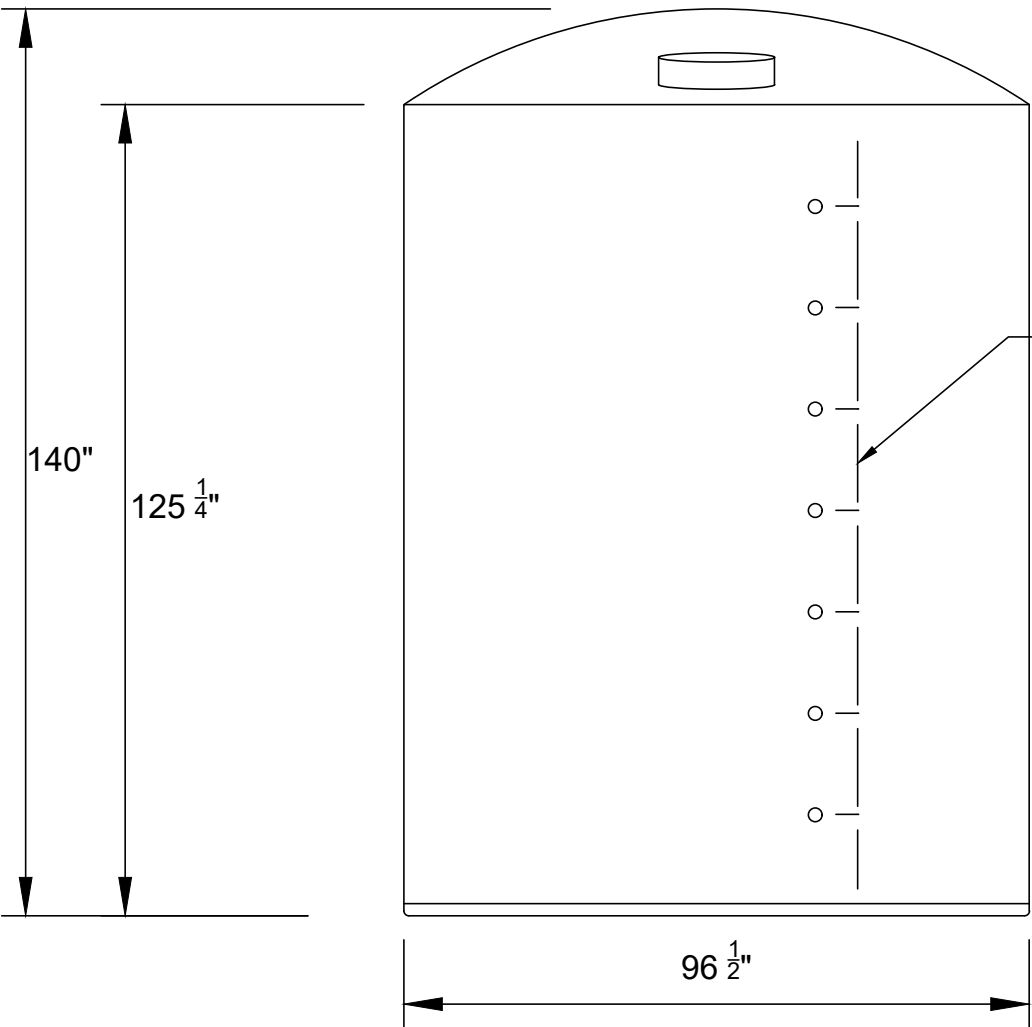
**TOP VIEW**



Ø22" OR Ø16"  
LID ASSEMBLY

Ø25" LID ASSEMBLY

18"



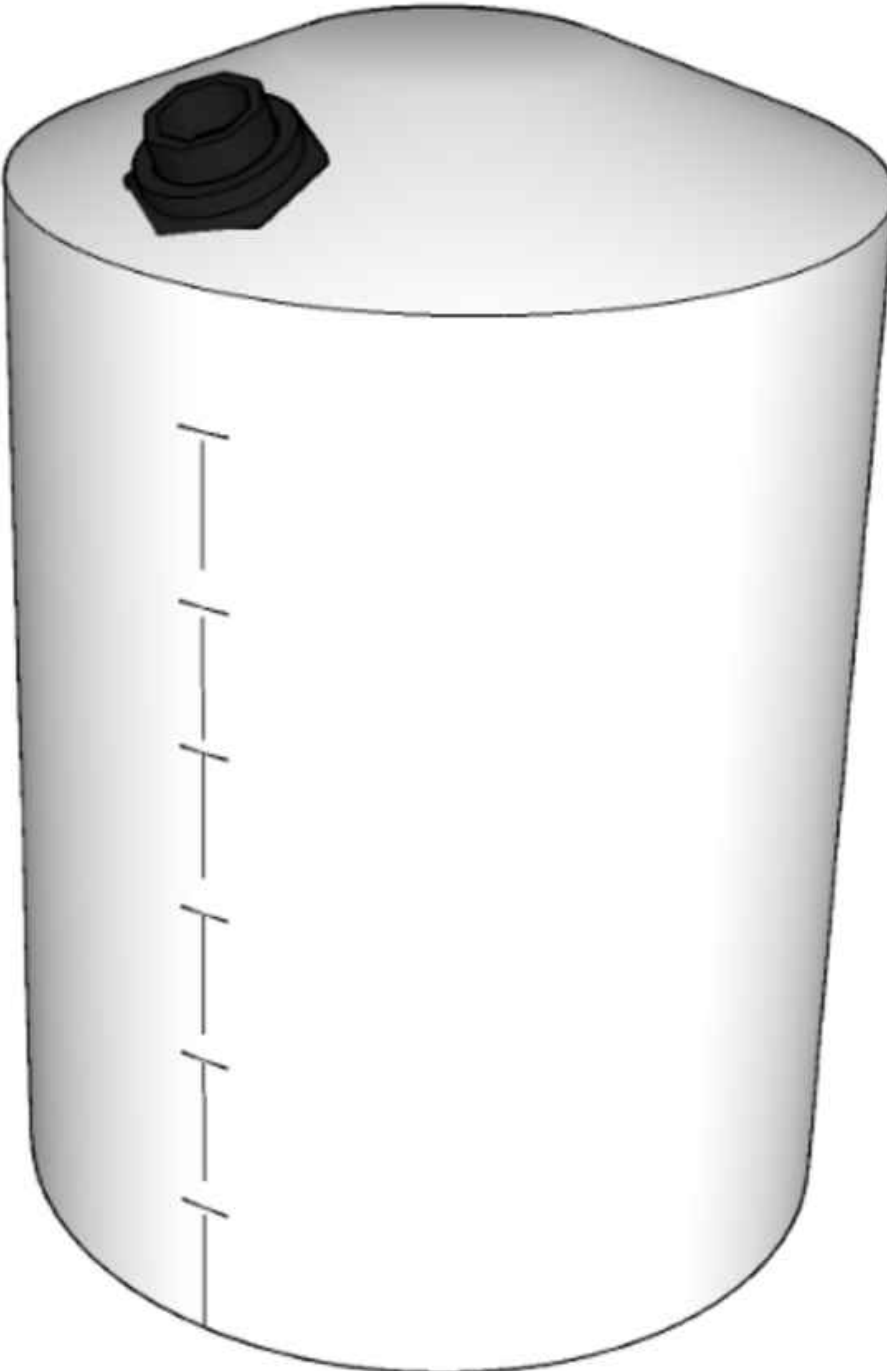
**GALLON INDICATORS**

**SECTION VIEW**

140"

125 1/4"

96 1/2"



<b>TANK GALLON CAPACITY:</b>	WELDED BY:	UNLESS STATED OTHERWISE DIMENSIONS ARE IN INCHES	MATERIAL: <b>HDPE - ASTM 2148</b>			TITLE: <b>TCTD-HDPE-4000</b>	TCTD SERIES	REV:	 <b>T&amp;C PLASTICS</b> WWW.TANDCPLASTICS.COM 732-780-5300
<b>TANK GALLON CAPACITY WITH LIMESTONE:</b>	COMPLETED BY:		WEIGHT [lb]:	NAME	DATE		SHEET 1 OF 1	SIZE:	
<b>LIMESTONE REQUIRED:</b>	REVIEWED BY:		DO NOT SCALE DRAWING	DRAWN	DR		10/18/2022	SCALE: 1:2	
THE INFORMATION CONTAINED IN THIS DRAWING IS THE SOLE PROPERTY OF TOWN & COUNTRY PLASTICS LLC. ANY REPRODUCTION IN PART OR AS A WHOLE WITHOUT THE WRITTEN PERMISSION OF TOWN & PLASTICS LLC IS PROHIBITED.									

4

3

2

1

D

D

C

C

B

B

A

A