

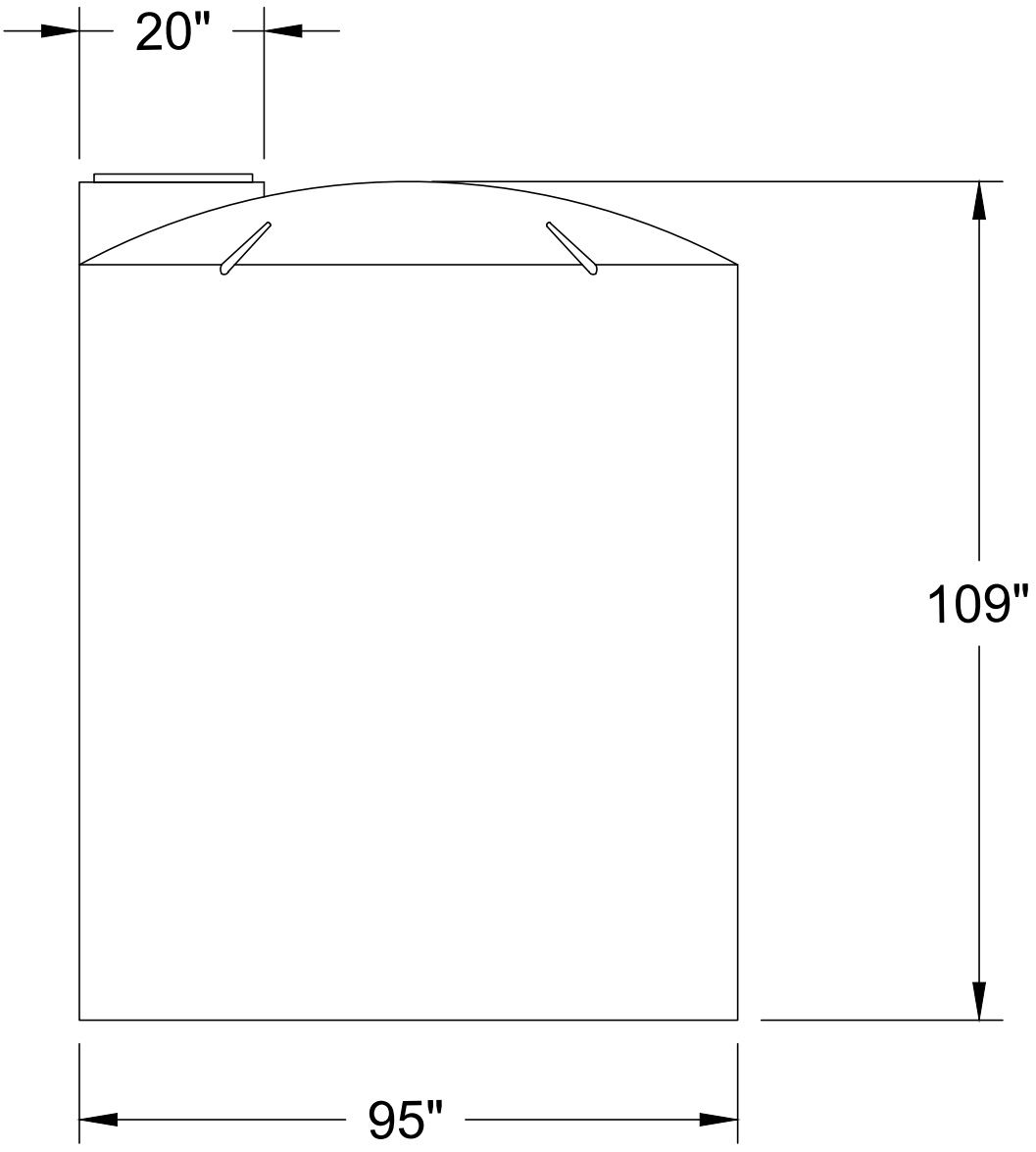
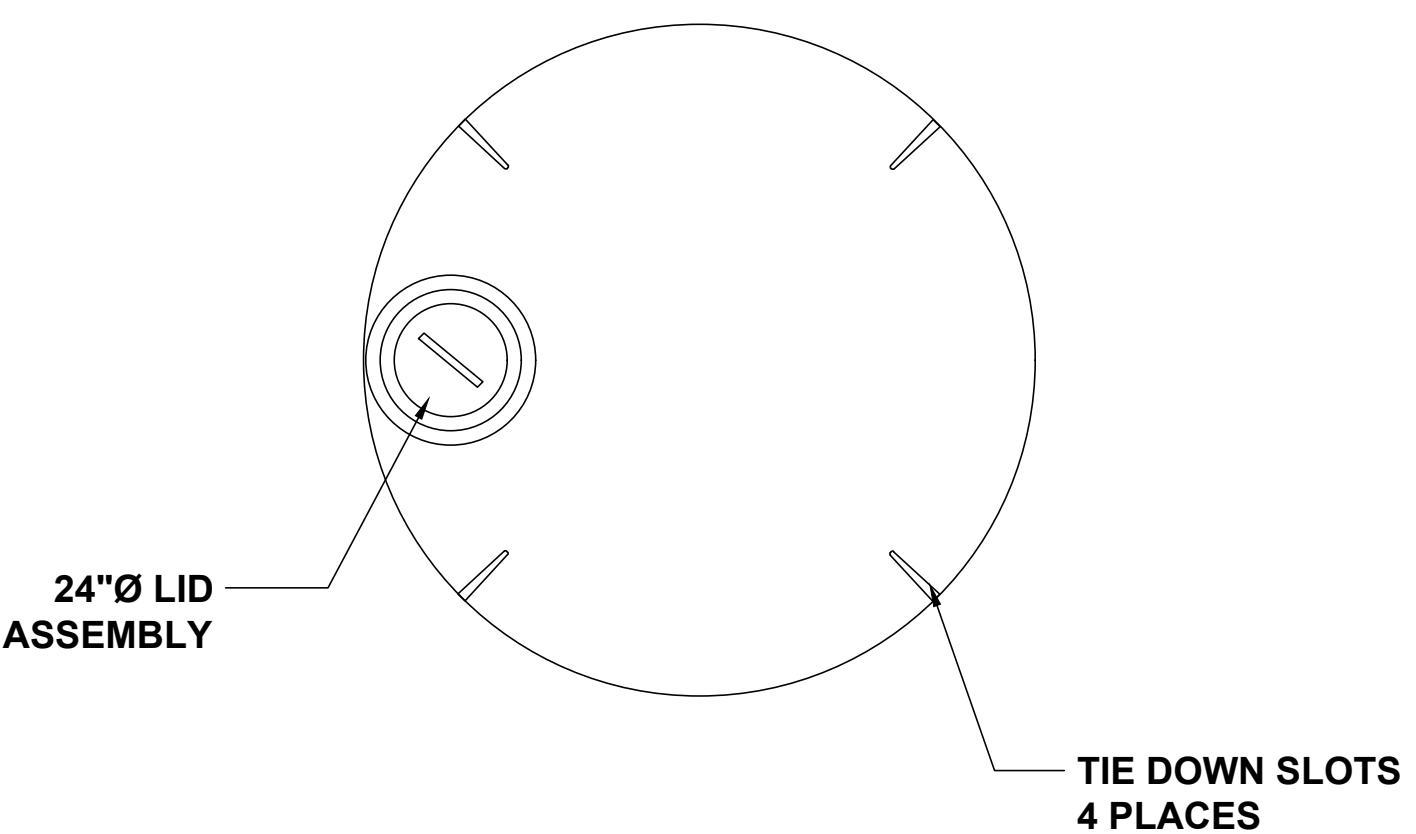
4

3

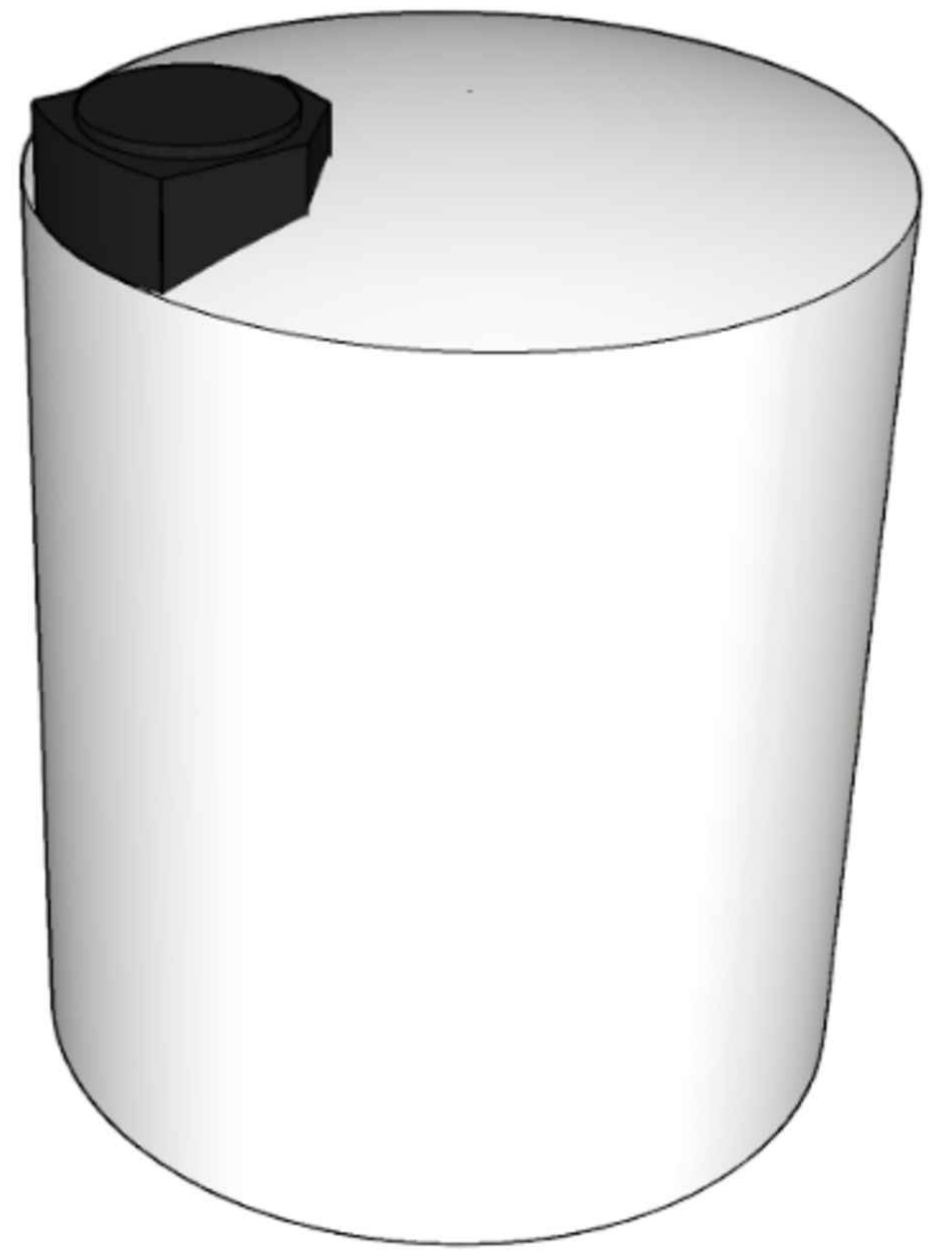
2

1

**TOP VIEW**



**SECTION VIEW**



D

D

C


C

B

B

A

A

<b>TANK GALLON CAPACITY:</b>	WELDED BY:	UNLESS STATED OTHERWISE DIMENSIONS ARE IN INCHES	MATERIAL: <b>HDPE - ASTM 2148</b>			TITLE: <b>TCTD-HDPE-3000</b>	TCTD SERIES	REV:	 <b>T&amp;C PLASTICS</b> WWW.TANDCPLASTICS.COM 732-780-5300
<b>TANK GALLON CAPACITY WITH LIMESTONE:</b>	COMPLETED BY:		WEIGHT [lb]:	NAME	DATE		SHEET 1 OF 1	SIZE:	
<b>LIMESTONE REQUIRED:</b>	REVIEWED BY:		DO NOT SCALE DRAWING	DRAWN	DR		01/16/2023	SCALE: 1:2	
<small>THE INFORMATION CONTAINED IN THIS DRAWING IS THE SOLE PROPERTY OF TOWN &amp; COUNTRY PLASTICS LLC. ANY REPRODUCTION IN PART OR AS A WHOLE WITHOUT THE WRITTEN PERMISSION OF TOWN &amp; PLASTICS LLC IS PROHIBITED.</small>									

4

3

2

1