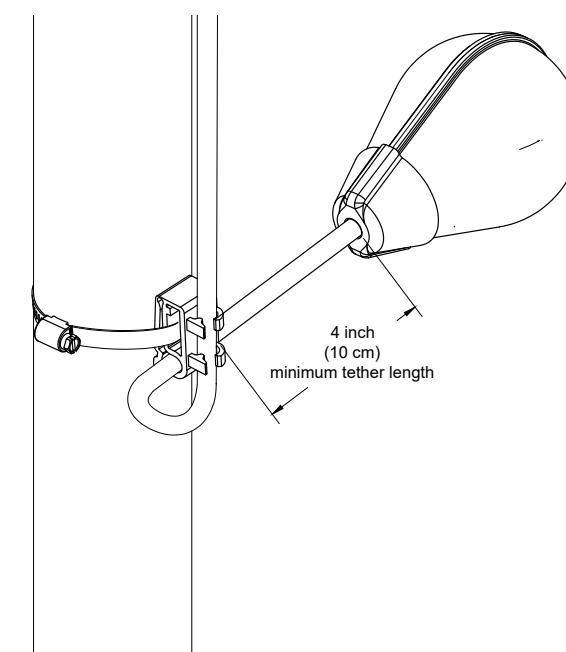
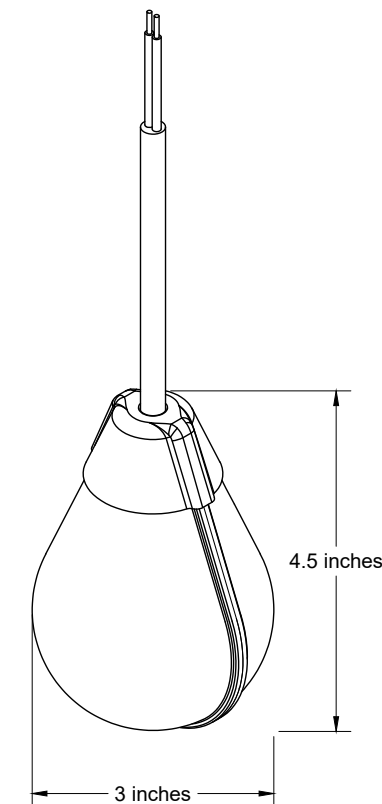


## pp-44t Level Float Control Switch

The pp-44t control switch is a narrow angle or wide angle control switch that is used to monitor liquid levels in wastewater and sewage applications.

Model	Type	Cord Length	Angle
44-20	Normally Open	20'	Narrow
44-30	Normally Open	30'	Narrow
44-50	Normally Open	50'	Narrow
44-100	Normally Open	100'	Narrow

Model	Type	Cord Length	Angle
44-20-C	Normally Closed	20'	Narrow
44-30-C	Normally Closed	30'	Narrow
44-50-C	Normally Closed	50'	Narrow
44-100-C	Normally Closed	100'	Narrow



### Specifications

#### Electrical Requirements

- 5 amps; 125VAC/250VAC, 50/60 Hz

#### Cable Type

- Flexible 18 gauge, 2 conductor (UL, CSA) SJOW

#### Float Description

- 2 7/8" diameter, 4 1/2" long, high impact, corrosion resistant, polypropylene housing for use in sewage and water up to 140°F (60°C)

#### Maximum Water Depth

- 30' (9 meters), 13 PSI (90 kPa)

UNLESS STATED OTHERWISE DIMENSIONS ARE IN INCHES	MATERIAL: Polypropylene			TITLE: pp-44t Level Float	REV:	 WWW.TANDCPLASTICS.COM 732-780-5300	
	WEIGHT [lb]:	NAME	DATE		SHEET 1 OF 1		SIZE:
	DO NOT SCALE DRAWING	DRAWN	DR		11/09/2022		SCALE: 1:2
	CHECKED						