

T&C Vertical Float Switches - Model pp-34t

DESCRIPTION

The PP-34T Series Compact Level Switches feature a Buna-N or stainless steel float for higher heat and pressure capabilities. Designed for low-cost, high-volume use, the PP vertical switches are best suited in shallow and restricted tank spaces. Their durable brass and stainless steel construction also allow for installations in several harsh and corrosive environments. All stainless steel L170 models are FDA compliant with food contact regulations and provide an ideal choice for use in food and beverage equipment.



PRINCIPLE OF OPERATION

A hermetically-sealed reed switch is actuated by an internal magnet within the float. As the float rises and falls with the liquid level, the magnetic field passes the switch encapsulated within the stem and results in a switch state change.

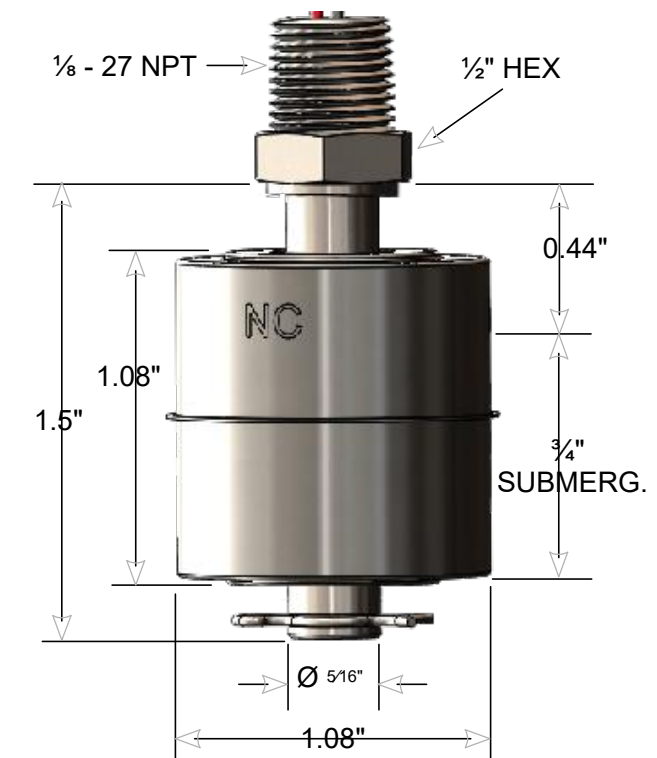
KEY FEATURES

- Ideal For Shallow Tanks
- Single-Stage Vertically-Mounted
- Broad Media Capability
- Interchangeable NO or NC Operation By Float Inversion
- SPST 50 VA Switch (Standard)

APPLICATIONS

- Food Processing Equipment
- Food Warmers
- Food Dispensing Systems
- Storage Tanks
- Fuel Dispensing Systems
- Humidity Control Equipment

DIMENSIONS



UNLESS STATED OTHERWISE DIMENSIONS ARE IN INCHES	MATERIAL: Polypro / SS			TITLE: MODEL PP-34T	REV:	 WWW.TANDCPLASTICS.COM 732-780-5300	
	WEIGHT [lb]:	NAME	DATE		SHEET 1 OF 1		SIZE:
	DO NOT SCALE DRAWING	DRAWN: DR	11/09/2022		SCALE: 1:2		