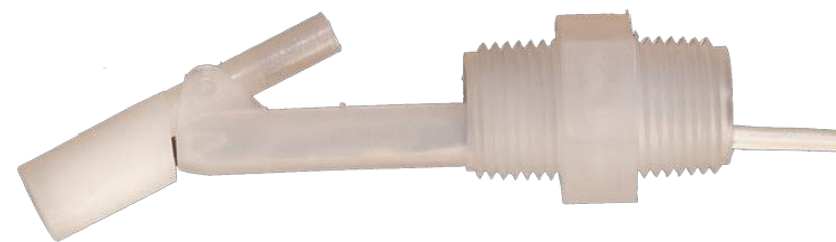


Model # pp-24t Horizontal Level Float

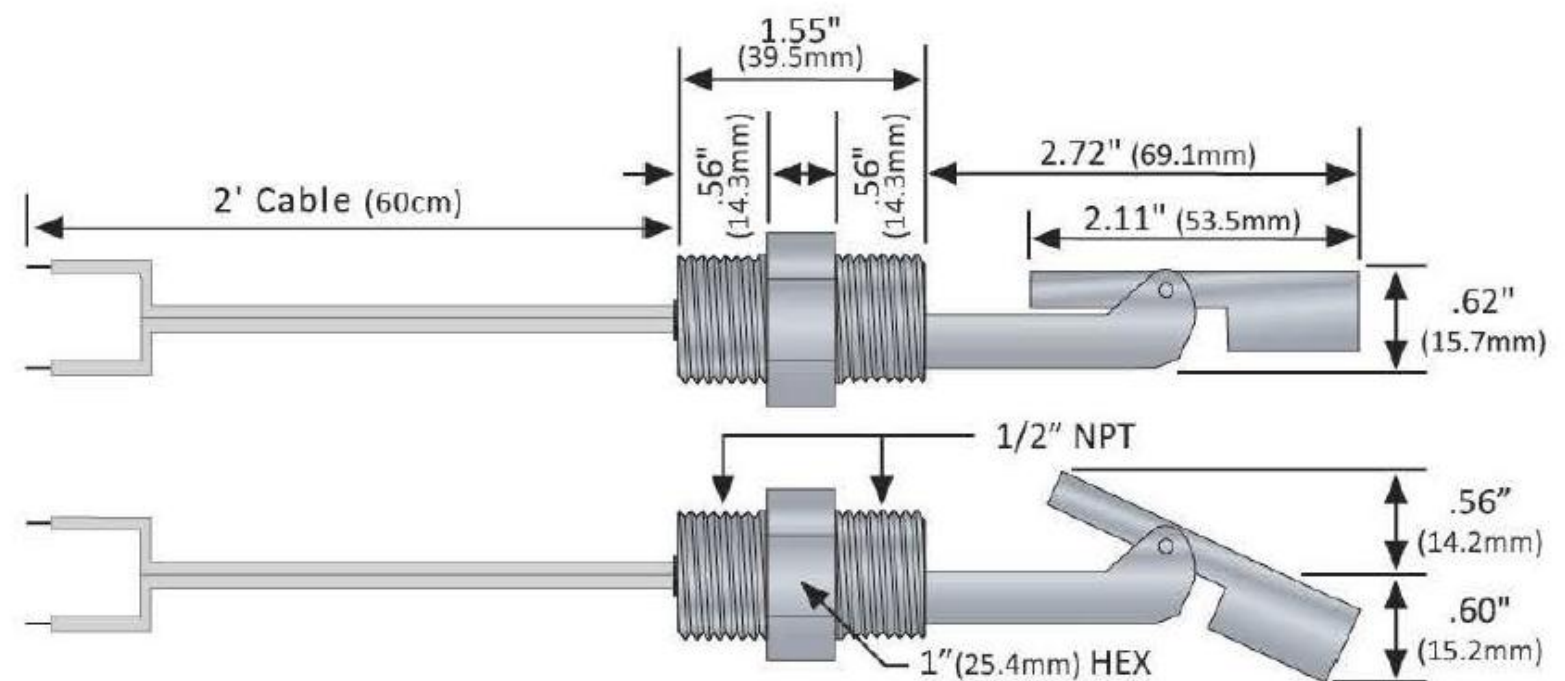
Application


Offered in vertical and horizontal configurations, the general purpose mini-float level switches provide reliable liquid level detection of clean water and chemical solutions with a 50VA or 30VA reed switch output. Media examples include water and sulfuric acid. The polypropylene or PVDF liquid level sensors are mounted vertically inside the tank or horizontally through the tank wall as a high level alarm or low level alarm.



Specifications

Orientation:	LV20: ± 20° vertical
	LH25: ± 20° vertical
Accuracy:	± 5mm in water
Repeatability:	± 2mm in water
Specific gravity:	LV20: 0.8 minimum
	LH25: 06 minimum
Contact type:	(1) SPDT reed
Contact rating:	LV20: 120VAC/VDC @50 VA
	LH25: 120VAC/VDC @50 VA
Contact output:	Selectable NO / NC
Process temp.:	LV20: F: -40° to 176°
	C: -40° to 80°
	LH25: F: -40° to 221°
	C: -40° to 105°
Pressure range:	LV20: 10 psi (0.7 bar)
	LH25: 100 psi (6.9 bar)
Sensor rating:	NEMA 6 (IP68)
Sensor material:	
Wire type:	2-conductor, 22-gauge
Wire length:	2' (61cm)
Process mount:	LV20: 1/8" NPT (1/8" R)
	LH25: 1/2" NPT
Classification:	General purpose
Compliance:	CE



UNLESS STATED OTHERWISE DIMENSIONS ARE IN INCHES	MATERIAL: Polypropylene			TITLE: MODEL PP-24T	REV:	SHEET 1 OF 1	SCALE: 1:2	SIZE:	 WWW.TANDCPLASTICS.COM 732-780-5300
	WEIGHT [lb]:	NAME	DATE						
	DO NOT SCALE DRAWING	DRAWN	DR 11/09/2022						
	CHECKED								