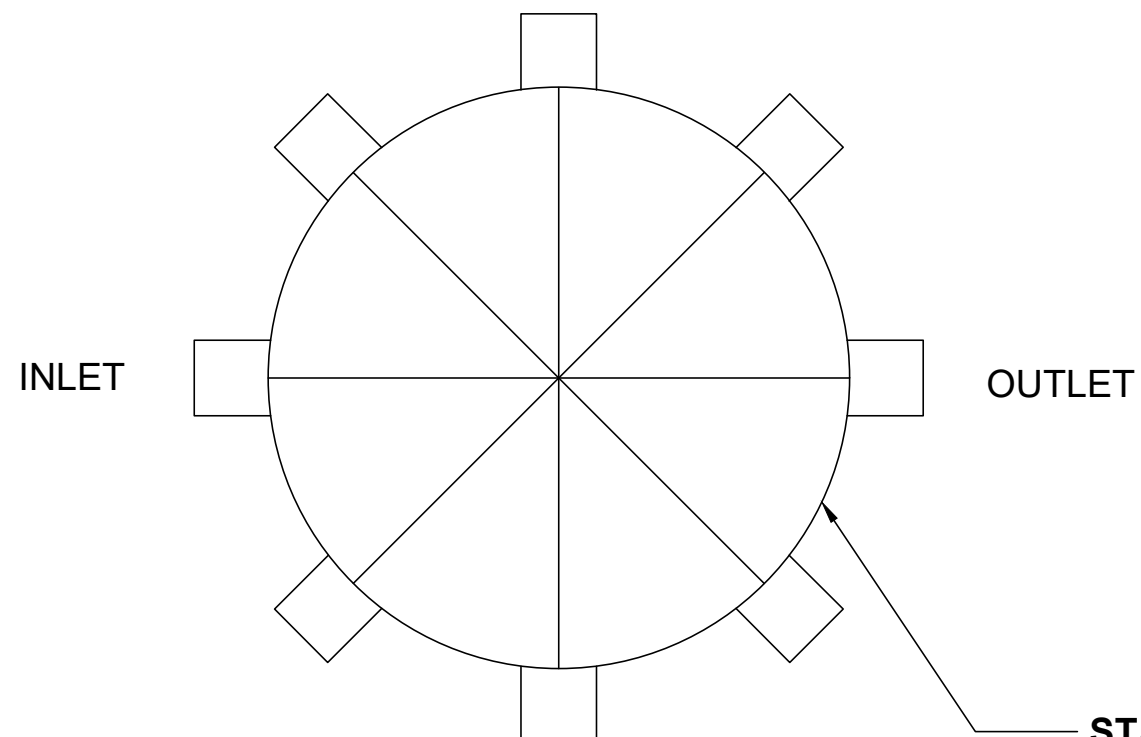


4 3 2 1

**TOP VIEW**



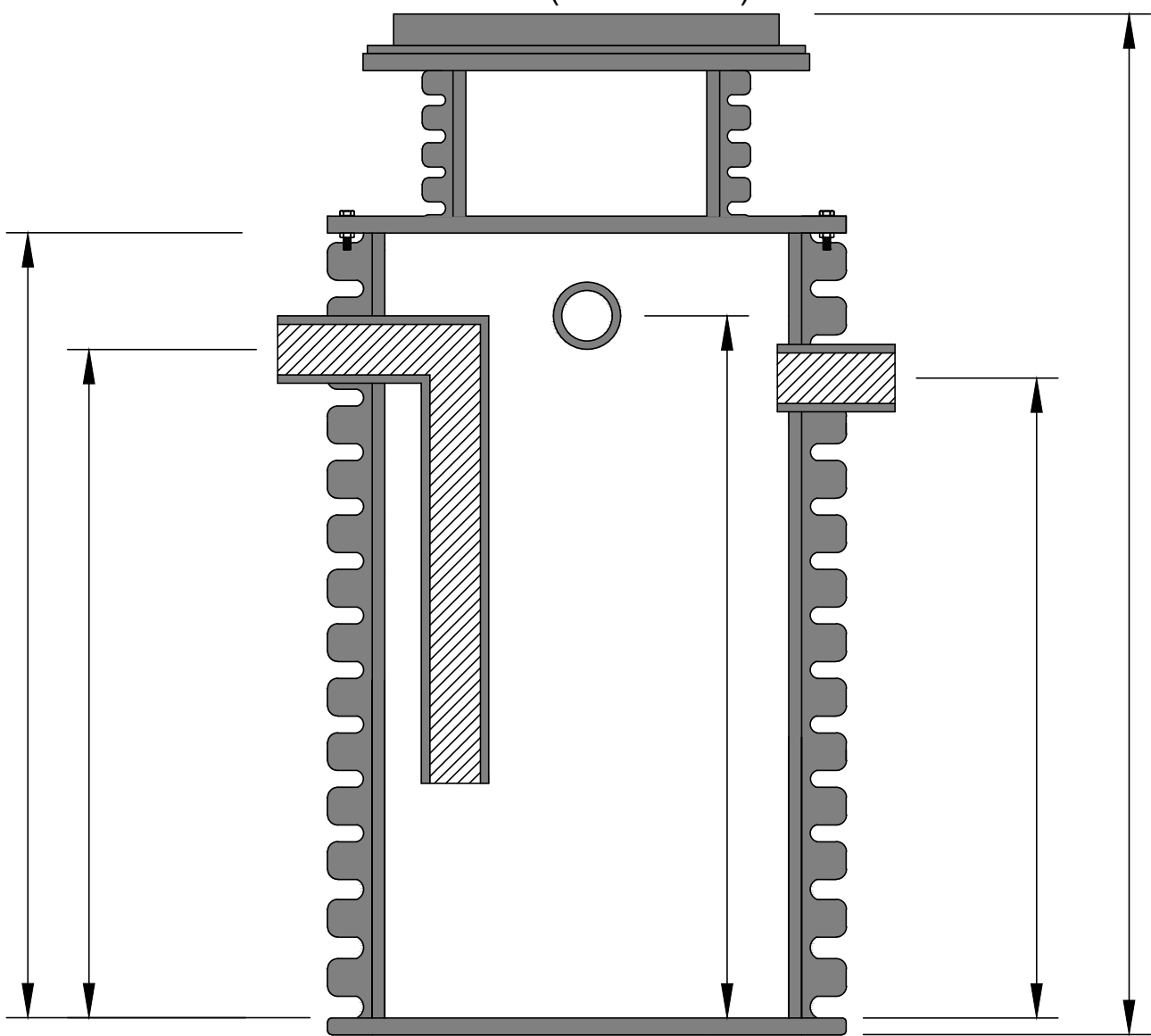
	FITTING SIZE	FITTING TYPE (MPT OR PLAIN END)	FITTING CENTERLINE	FITTING CENTERLINE (IF DIFFERENT THAN STANDARD)
INLET				
OUTLET				
VENT (IF NEEDED)				

OPTIONS (CIRCLE)	
EXTENSION TO GRADE	_____ (FILL IN HEIGHT REQUIRED FROM BASE TO TOP OF COVER)
VEHICULAR TRAFFIC COVER	

STANDARD FITTING LOCATIONS SHOWN. PLEASE CIRCLE CHANGES ON TOP VIEW

SEE ABOVE FOR OPTIONS

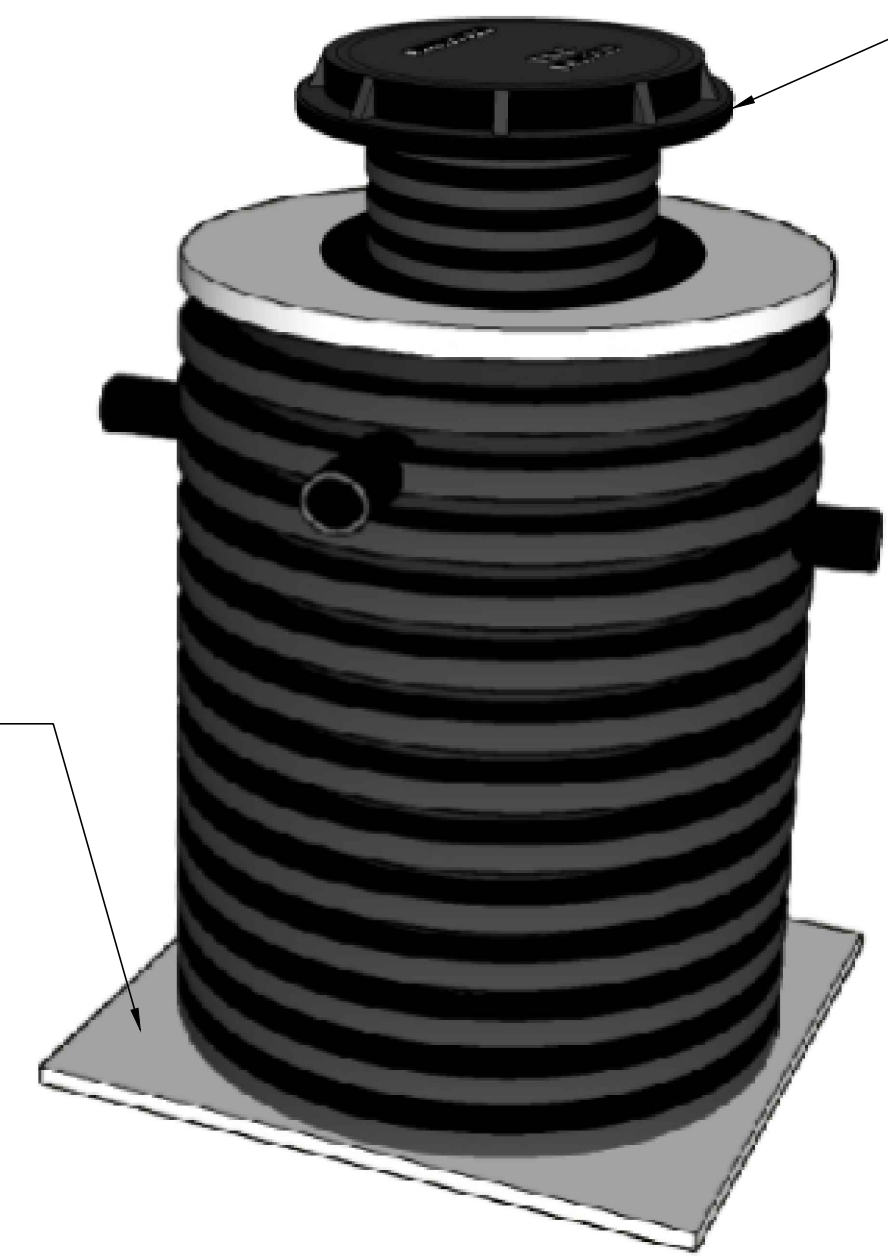
**SECTION VIEW**



OPTIONAL H2O TRAFFIC COVER 22" OD WITH RISER AND 18" FIELD ADJUSTABLE EXTENSION IF REQUIRED

STANDARD COVER IS 1" POLYPRO COVER FOR PEDESTRIAN TRAFFIC

1" SQUARE BASE FOR ANCHORING IF NEEDED



**SECTION VIEW**

TANK GALLON CAPACITY:	WELDED BY:	UNLESS STATED OTHERWISE DIMENSIONS ARE IN INCHES	MATERIAL: HDPE			TITLE:	NTB SERIES	REV:	 WWW.TANDCPLASTICS.COM 732-780-5300
TANK GALLON CAPACITY WITH LIMESTONE:	COMPLETED BY:		WEIGHT [lb]:	NAME	DATE	NTB TEMPLATE	SHEET 1 OF 1	SIZE:	
LIMESTONE REQUIRED:	REVIEWED BY:		DO NOT SCALE DRAWING	CHECKED			SCALE: 1:2		
THE INFORMATION CONTAINED IN THIS DRAWING IS THE SOLE PROPERTY OF TOWN & COUNTRY PLASTICS LLC. ANY REPRODUCTION IN PART OR AS A WHOLE WITHOUT THE WRITTEN PERMISSION OF TOWN & PLASTICS LLC IS PROHIBITED.									

4 3 2 1