

BASIC INSTRUCTIONS:

1. FILL THE TANK WITH WATER IMMEDIATELY UPON RECEIPT TO MAKE SURE THE WALLS AND/OR FITTINGS HAVE NOT BEEN DAMAGED IN SHIPPING AND HANDLING.
2. IF A LEAK HAS BEEN OBSERVED DURING THIS TEST UPON DELIVERY, CALL THE FREIGHT COMPANY TO PUT AN IMMEDIATE CLAIM IN FOR HIDDEN DAMAGE, AND THEN CALL T&C. TAKE PICTURES OF THE PROBLEM AREA AND CONTACT T&C AT SUPPORT@TANDCPLASTICS.COM.
3. DO NOT USE A FUSION CONNECTION TO CONNECT DRAINAGE SYSTEMS TO TANK PIPE STUBS: ONLY USE MECHANICAL JOINING METHODS. THE TANK IS MANUFACTURED WITH HDPE MATERIAL AND THE FITTINGS WILL NOT FUSE TO OTHER MATERIAL TYPES (PP)

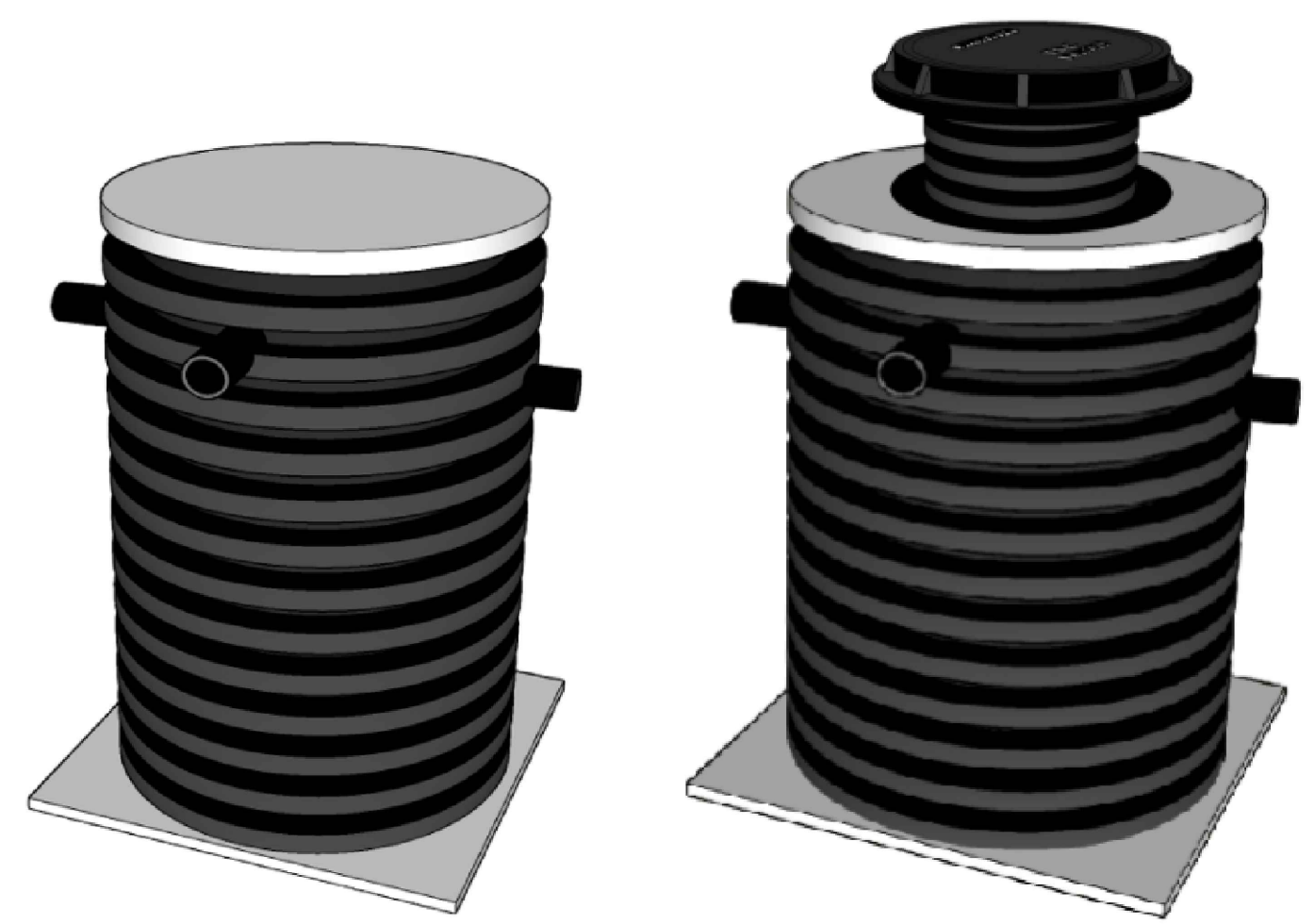
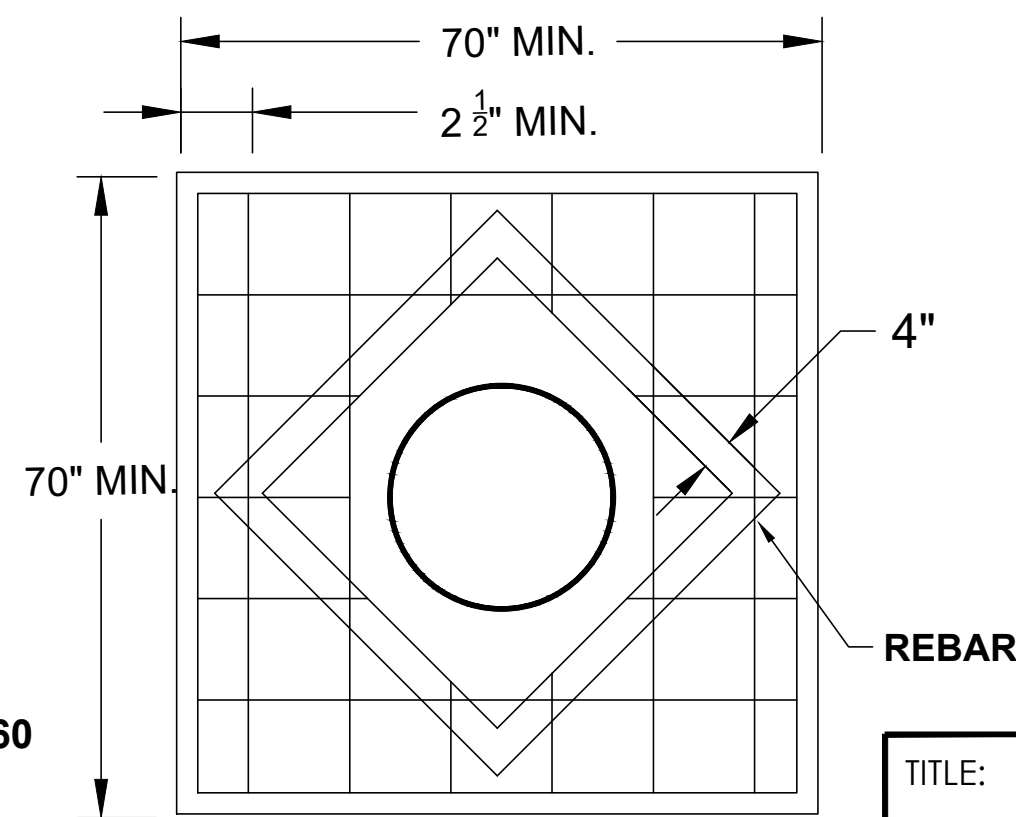
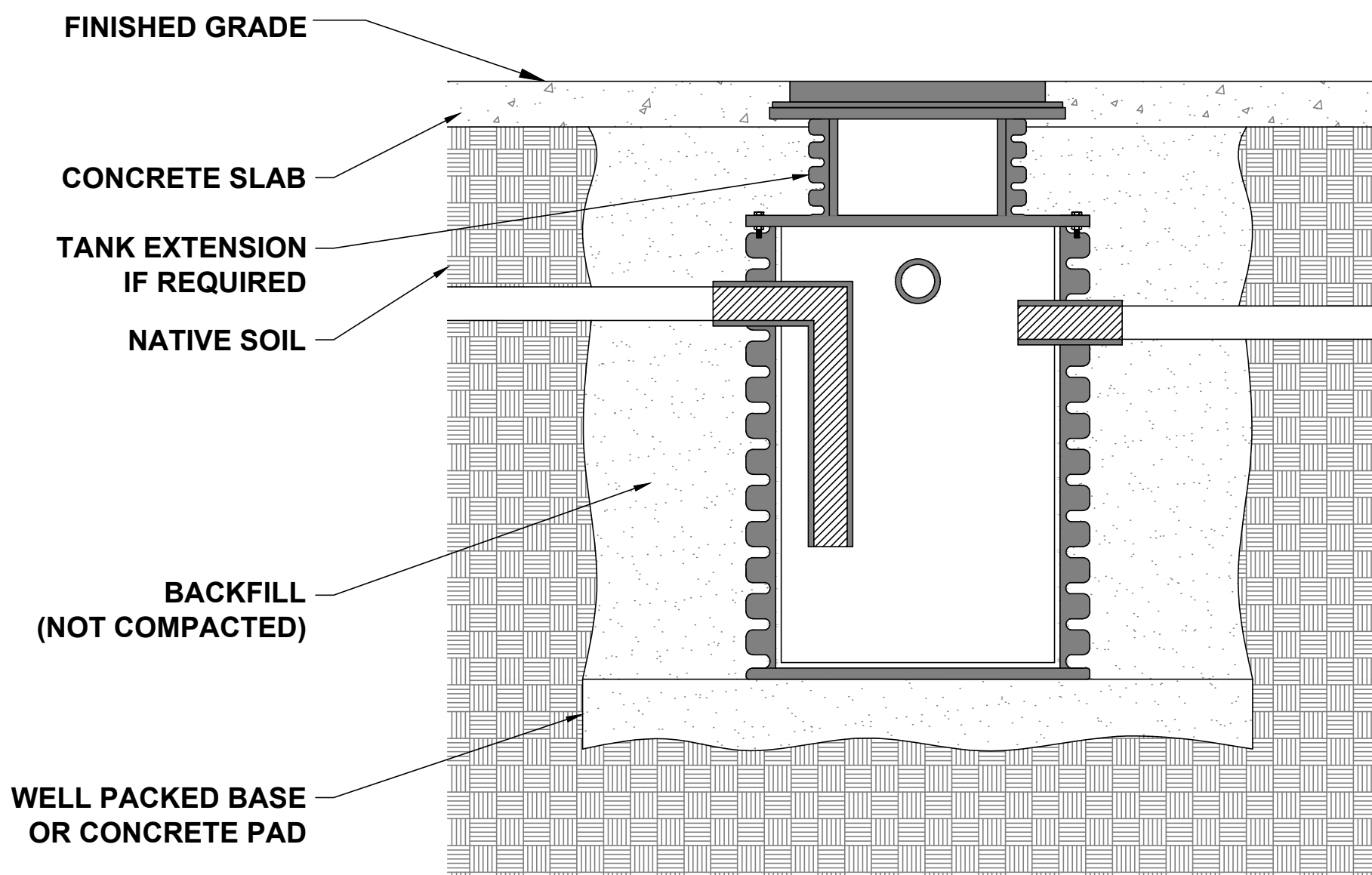
BURIAL INSTRUCTIONS:

1. THE EXCAVATION MUST BE A MINIMUM OF 12" GREATER ON ALL SIDES OF THE TANK.
2. THE DEPTH OF THE EXCAVATION MUST BE GREATER THAN 6" ON THE BOTTOM OF THE TANK.
3. FILL THE TANK WITH WATER AND LIMESTONE AFTER ALL PIPE CONNECTIONS HAVE BEEN MADE, PRIOR TO BACKFILLING.
4. FULLY INSTALL THE EXTENSION AND TANK COVER (IF SHIPPED SEPARATELY) PRIOR TO BACKFILLING.
5. CONCRETE OR FINISHING MATERIAL REQUIREMENTS IS TO BE DETERMINED BY THE SPECIFYING ENGINEER.
6. ENCASE THE TANK IN WELL-PACKED 3/4" ROCK, PEA GRAVEL OR SAND. DO NOT COMPACT BACKFILL AROUND TANK.
7. TO PREVENT FLOAT OUT IN HIGH WATER TABLE AREAS, A CONCRETE PAD SHOULD BE POURED AND THE NTB TANK BASE SHOULD BE ANCHORED TO THE PAD USING STEEL RODS OR OTHER ANCHORING MATERIAL. THIS IS TO BE DETERMINED BY THE SPECIFYING ENGINEER

FINISHED CONCRETE SLAB:

SLAB MUST EXTEND 18" MINIMUM OUTSIDE THE FOOTPRINT OF THE UNIT. PEDESTRIAN TRAFFIC AREAS: 4" THICK REINFORCED CONCRETE SLAB REQUIRED. VEHICULAR TRAFFIC AREAS: MINIMUM 8" THICK CONCRETE SLAB WITH REBAR IS REQUIRED.

THICKNESS OF CONCRETE AROUND COVER TO BE DETERMINED BY SPECIFYING ENGINEER. IF TRAFFIC LOADING IS REQUIRED, THE CONCRETE SLAB DIMENSIONS SHOWN ARE FOR GUIDING PURPOSES ONLY. CONCRETE TO BE 28 DAY COMPRESSIVE STRENGTH TO 4,000 PSI. USE #4 REBAR (1/2") GRADE 60 STEEL PER ASTM A615: CONNECTED WITH TIRE WIRE. REBAR TO BE 2-1/2" FROM EDGE OF CONCRETE AND SPACED IN A 12" GRID WITH 4" SPACING AROUND ACCESS OPENINGS.



TITLE: NTB BELOW GROUND TANK INSTALL	NTB SERIES	REV:	T&C PLASTICS WWW.TANDCPLASTICS.COM 732-780-5300
	SHEET 1 OF 1	SIZE:	
	SCALE: 1:2		