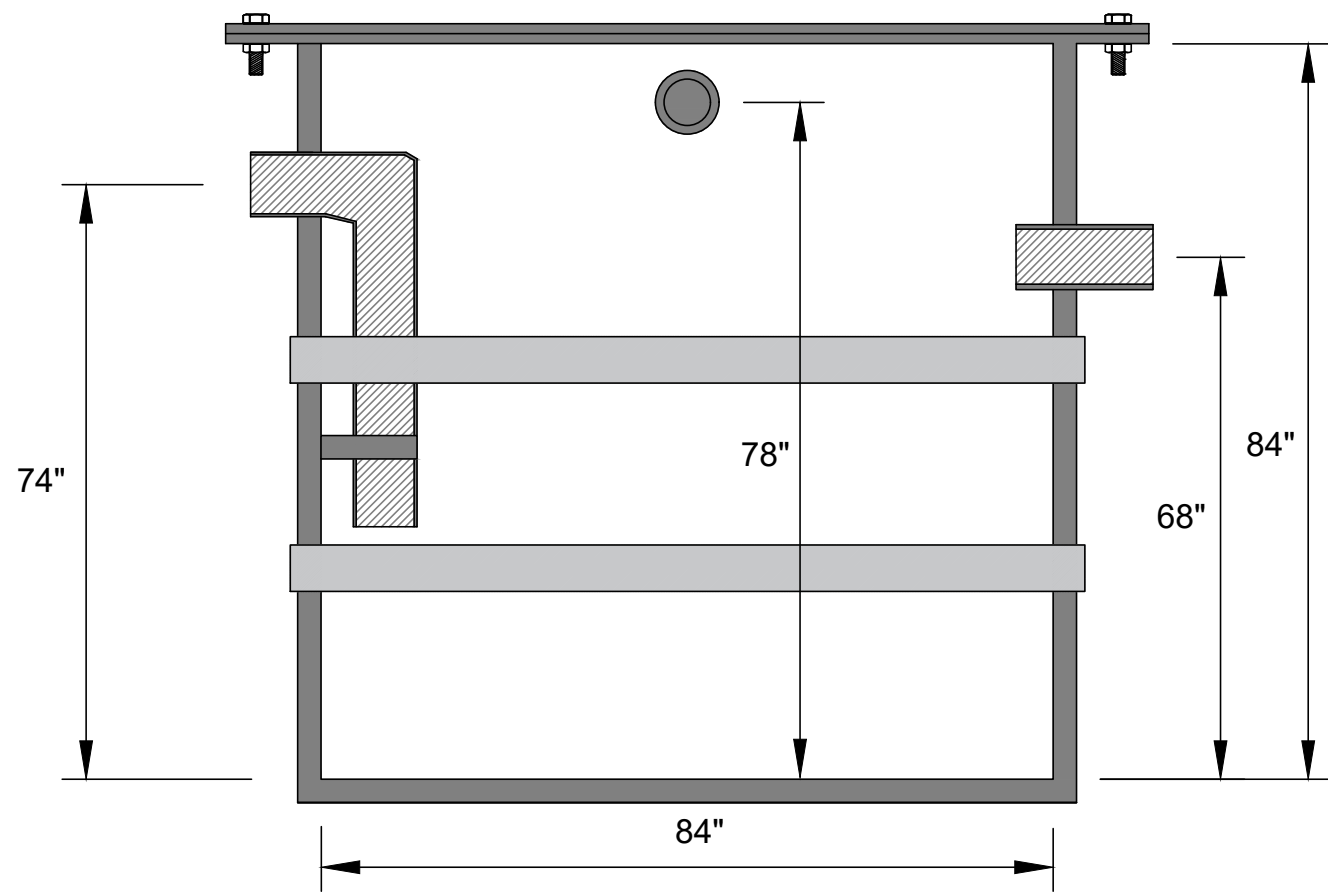
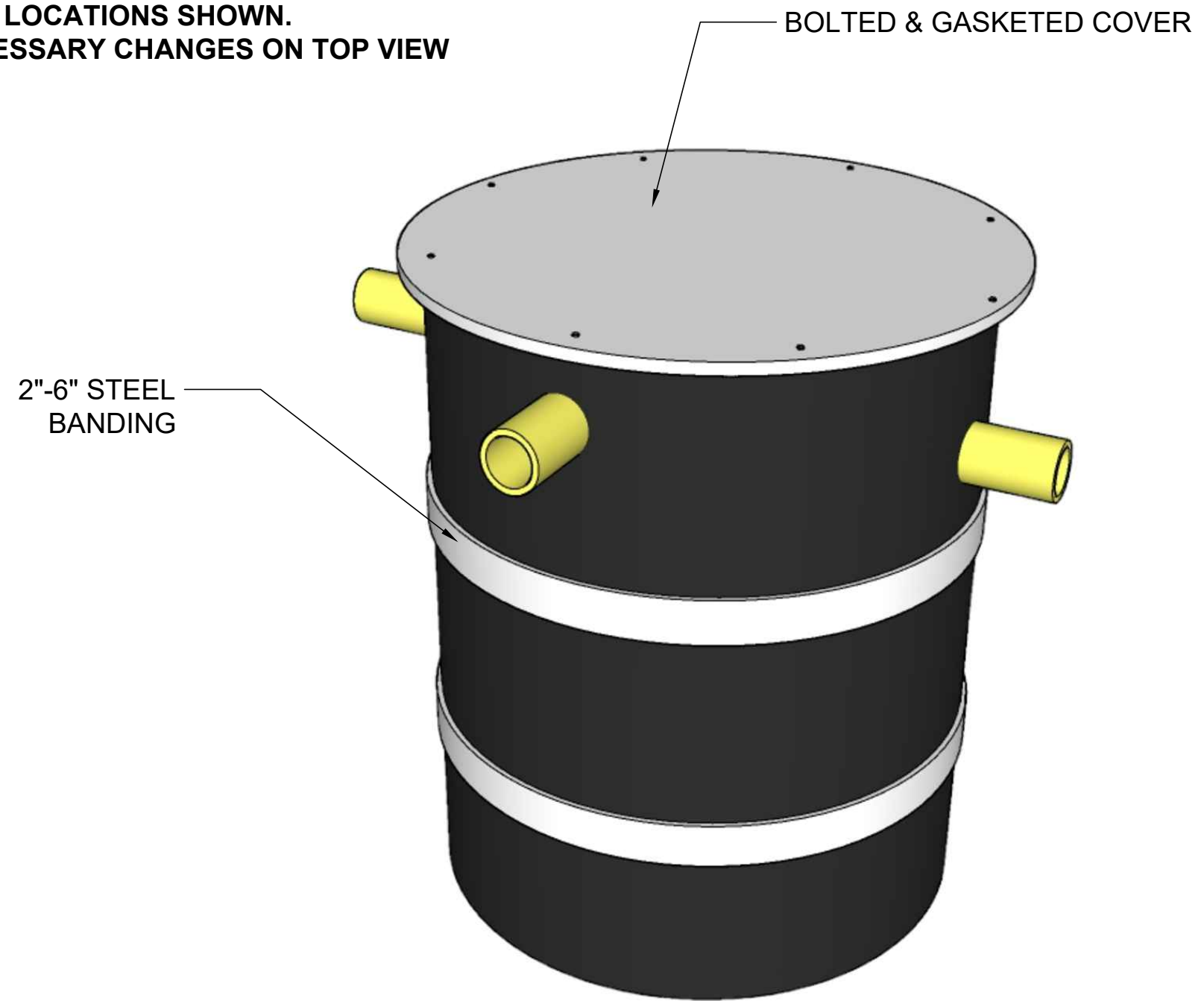


	FITTING SIZE	FITTING TYPE (MPT OR PLAIN END)	STANDARD FITTING CENTERLINES	FITTING CENTERLINE (IF DIFFERENT THAN STANDARD)
INLET	6"		74"	
OUTLET	6"		68"	
VENT (IF NEEDED)			78"	



SECTION VIEW



TANK GALLON CAPACITY: 1559	WELDED BY:	UNLESS STATED OTHERWISE DIMENSIONS ARE IN INCHES	MATERIAL: HDPE - ASTM 2148			TITLE: NT-2000 HDPE NEUTRALIZATION TANK	NT SERIES	REV:	 T&C PLASTICS WWW.TANDCPLASTICS.COM 732-780-5300
TANK GALLON CAPACITY WITH LIMESTONE: 521	COMPLETED BY:		WEIGHT [lb]: 850 LBS.	DRAWN	DR	DATE	SHEET 1 OF 1	SIZE:	
LIMESTONE REQUIRED: 16,000 LBS.	REVIEWED BY:		DO NOT SCALE DRAWING	CHECKED			SCALE: 1:2		
<small>THE INFORMATION CONTAINED IN THIS DRAWING IS THE SOLE PROPERTY OF TOWN & COUNTRY PLASTICS LLC. ANY REPRODUCTION IN PART OR AS A WHOLE WITHOUT THE WRITTEN PERMISSION OF TOWN & PLASTICS LLC IS PROHIBITED.</small>									