

Location: _____

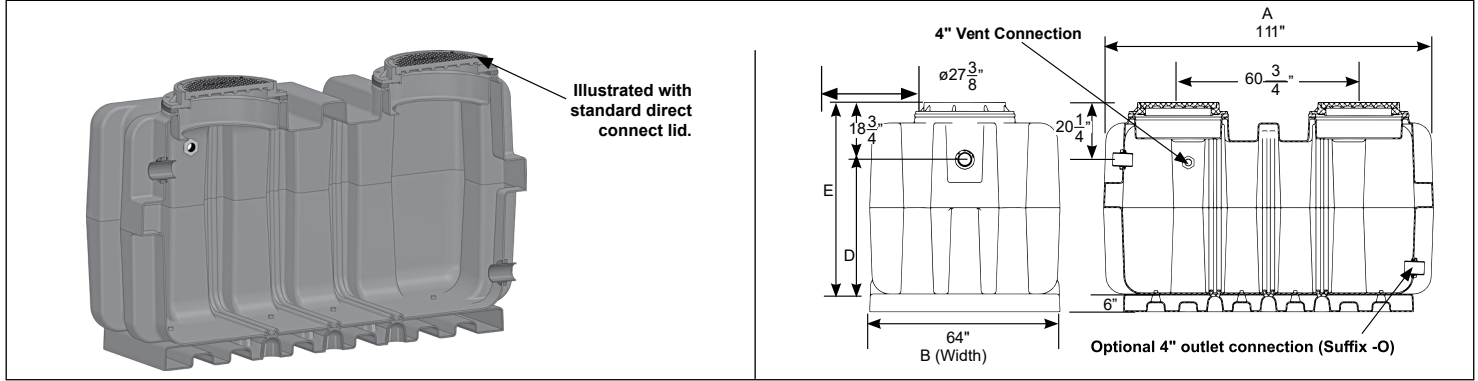


TOWN & COUNTRY PLASTICS
Customized For Precision

**DECONTAMINATION TANKS – 500 TO 2000 GALLONS
 LIQUID HOLDING CAPACITY**

Specification: T&C Plastics TC-_____ (specify size) - DECON decontamination tank with _____ (specify liquid holding capacity) U.S. gallons of liquid holding capacity has a limited lifetime warranty and is made in the U.S.A. out of seamless, rotationally molded High Density Polyethylene with 3/8" uniform wall thickness. Decontamination tank is designed for above or below ground installation (the 2000 gallon model can only be installed below ground) and includes a direct connect lid system, 4" vent connection, base for support and floor level installation and 4" no hub inlet connection. Steel encased composite lids provide a water / gas tight seal and have a minimum of 20,000 LB. load capacity – in accordance with the loading requirements of AASHTO H20. The high density polyethylene material is PE 3135 from Dow 9.39 with a density of 0.939 g/cm3.

Function: Used with eyewashes and decontamination showers to capture the liquid wastes that can damage the building's drain, waste and vent system. Public sewer or ground / surface waters are required by Chapter 8 of the Uniform Plumbing Code (U.P.C.) and by the International Plumbing Code (I.P.C.) to be pretreated. This is also required by the AIA and ANSI.



Model	Liquid Holding Capacity (Gallons)	A	Width B	D Dim.	E Dim.	F Outlet Connection Size	Shipping Weight (Lbs.)
TC-500-DECON	500 (1,890 litres)	111" (2820 mm)	64" (1630 mm)	26 1/4" (667 mm)	45" (1143 mm)	4" (102 mm)	1060
TC-750-DECON	750 (2,840 litres)	111" (2820 mm)	64" (1630 mm)	34.88" (886 mm)	53.63" (1362 mm)	4" (102 mm)	1125
TC-1000-DECON	1,000 (3,790 litres)	111" (2820 mm)	64" (1630 mm)	45 1/4" (1149 mm)	64" (1630 mm)	4" (102 mm)	1185
TC-1300-DECON	1,300 (4,921 litres)	111" (2820 mm)	64" (1630 mm)	56 1/4" (1429 mm)	75" (1905 mm)	4" (102 mm)	1260
TC-1500-DECON	1,500 (5,688 litres)	111" (2820 mm)	64" (1630 mm)	64" (1626 mm)	82.75" (2102 mm)	4" (102 mm)	1360
TC-2000-DECON	2,000 (7,570 litres)	111" (2820 mm)	64" (1630 mm)	85 1/2" (2172 mm)	104.25" (2648mm)	4" (102 mm)	1460

SUFFIX	OPTIONAL VARIATIONS
-AK	Anchor kit (set of two) for all SuperMax interceptors
-C	Lid Extension - up to 72" high - for all interceptors (Two pieces required)
-DI	Ductile iron lid and collar - for all interceptors (Two pieces required)
-FL-C	Membrane clamp kit - for all interceptors (Two pieces required)
-F6	6" no hub inlet and outlet - for each piece (Two pieces required) (flow rate of 700 GPM with 6" connections)
-F8	8" no hub inlet and outlet - for each piece (Two pieces required) (flow rate of 1200 GPM with 8" connections) (Not available for side inlets / outlets)
-HLA	High level alarm and float switch (to be installed on site)
-LHSI	No hub inlet on left hand side (not available with sediment bucket)
-LHSO	No hub outlet on left hand side (not available with sediment bucket)
-O	Optional 4" no hub outlet connection
-POK	Remote pump out kit (also includes Remote Pump Out (-RPO))
-RHSI	No hub inlet on right hand side (not available with sediment bucket)
-RHSO	No hub outlet on right hand side (not available with sediment bucket)
-RPO	3" Remote pump outlet connections on top of interceptor - specify location and number required
-SP	External sampling port - inline, high connections
-SP-L	External sampling port - inline, low connections
-SP-OFF	External sampling port - offset
-T	Female threaded connections - 4" (for each piece - Two pieces required)
-SP-OFF	External sampling port - offset
-SST	Fire resistant fabricated stainless steel interceptor
-ST	Fire resistant fabricated 10 gauge powder epoxy coated steel interceptor
-T	Female threaded connections - 4" (for each piece - Two pieces required)
-V	No hub vent connection - 4" - (specify number required and location - side and / or top)

CALIFORNIA PROPOSITION 65 WARNING. This product contains chemicals known to the State of California to cause cancer and birth defects or other reproductive harm.

Job Name: _____

Page No: _____

Section No: _____

Contractor: _____

Schedule No: _____

Purchase Order No: _____