



**TOWN & COUNTRY PLASTICS**

*Customized For Precision*

**10B Timber Lane, Marlboro, NJ 07746 • (732) 780-5300 • FAX: (732) 294-0001 • [www.tandcplastics.com](http://www.tandcplastics.com)**

## **Town & Country Plastics Underground Decontamination Tank Specifications**

- Contractor to provide and install a \_\_\_\_\_ Gallon Decontamination Tank, Town & Country Plastics Model \_\_\_\_\_ with double wall FRP construction built per ASTM 3299 standards. Tank to have necessary fittings for inlet, vent, pump out, level controls and leak detection
- Contractor to provide and install level controls and inner wall leak detection, Town & Country Plastics LC Series Panel, floats and leak detection sensor.

### Model Options:

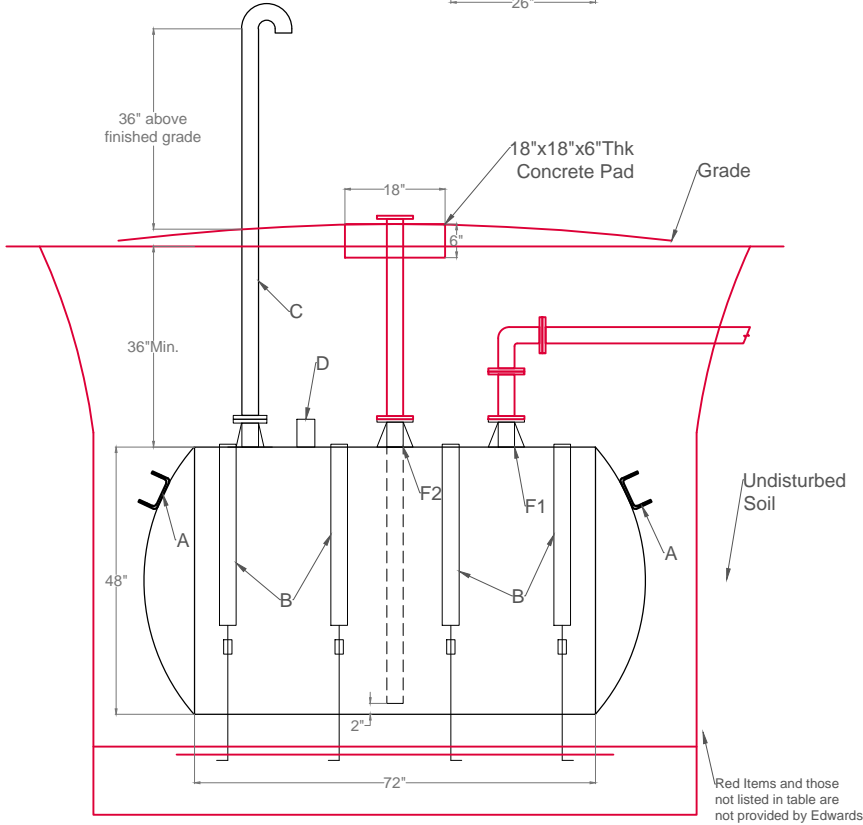
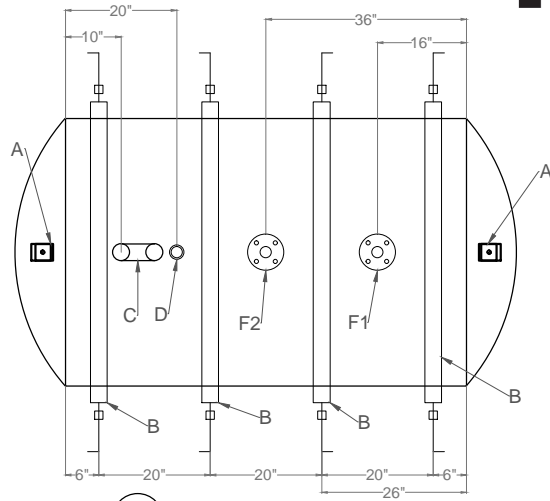
- 500 Gallons - BGD-500/DW-FRP
- 1,000 Gallons - BGD-1000/DW-FRP
- 1,500 Gallons - BGD-1500/DW-FRP (Option 1)
- 1,500 Gallons - BGD-1500 V2 /DW-FRP (Option 2)



# TOWN & COUNTRY PLASTICS

Customized For Precision

Top View shows degree placement/orientation. Side View shows height placement (orientation may look inaccurate for clarity of height).



MARK	QTY	DESCRIPTION	DEGREE	RAD/HT	SERV
A	2	Lifting Lugs, Galvanized	See Drawing	See Drawing	-
B	4	FRP Hold Down Straps w/ Galvanized Turn Buckles	See Drawing	See Drawing	-
C	1	3" Gooseneck Vent w/ extension	See Drawing	See Drawing	-
D	1	2" Half Coupling	See Drawing	See Drawing	Alarm
F1	1	2" Flanged Nozzle Gusseted	See Drawing	See Drawing	Shower Drain
F2	1	2" Flanged Nozzle Gusseted w/ internal pipe	See Drawing	See Drawing	Suction Pipe
-	-	-	-	-	-
-	-	-	-	-	-
-	-	-	-	-	-
-	-	-	-	-	-

### GENERAL NOTES:

1. Tank to be fabricated according to Manufacturer's standards which are in accordance with ASTM-4097.
2. All dimensions are in inches.
3. External gel coat to be white in color and 5 mil think. No field painting to be provided by manufacturer.
4. All flanged nozzles bolt hole are to straddle principle tank center lines. Nozzles are to project 5" from structural wall unless otherwise noted. All flanges 4" and smaller will be gusseted.
5. Tank must be vented properly. If vent screens are used, clean frequently.
6. Tank is designed for atmospheric pressure storage only. Failure to observe this could result in tank failure and void warranty.
7. Hardware to be Zinc.
8. Anchor bolts to be supplied by customer.
9. Anything not listed in this drawing will not be provided by Manufacturer

### FOR APPROVAL

DATE APPROVED:

APPROVED BY (sign and print name legibly):

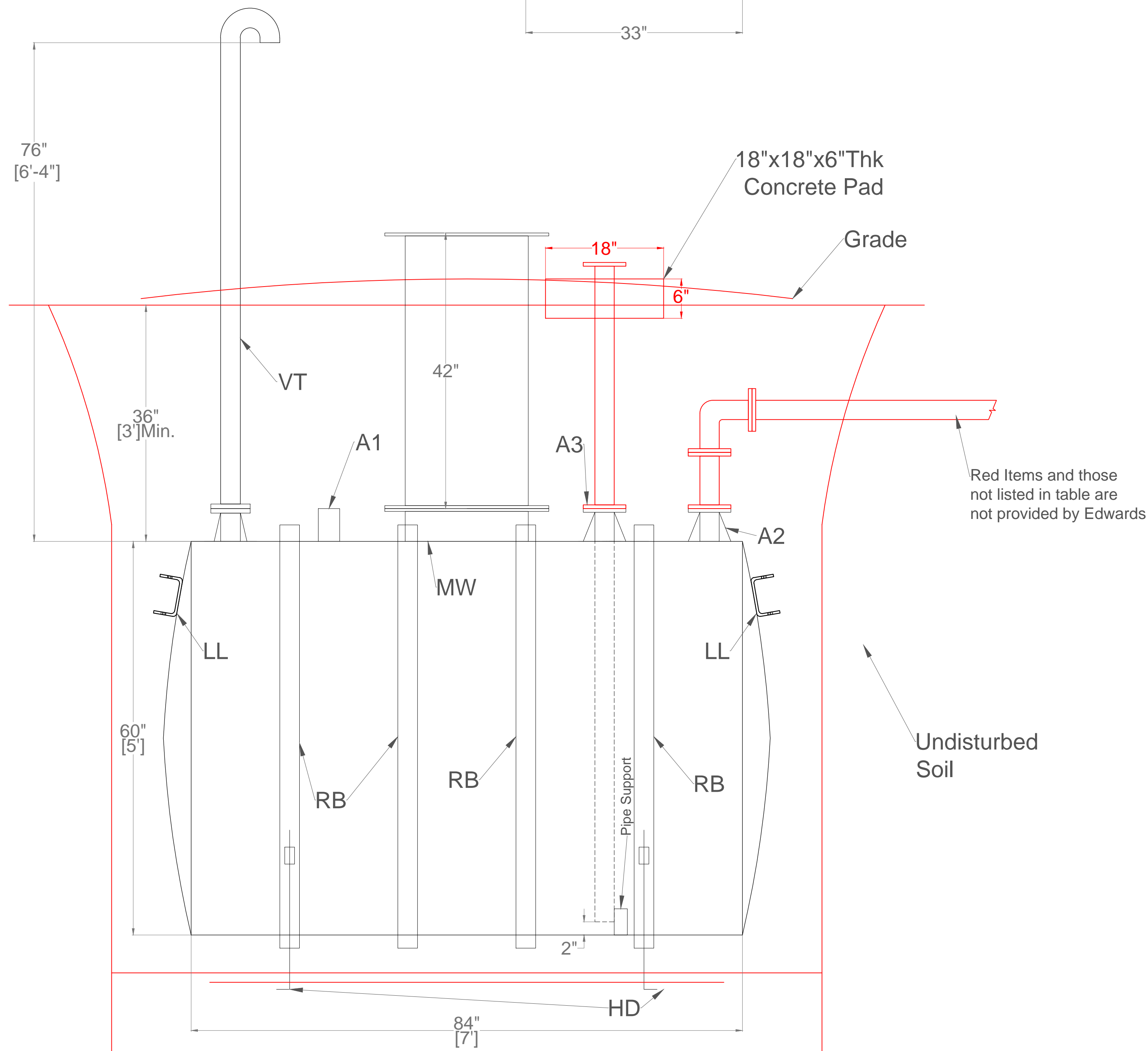
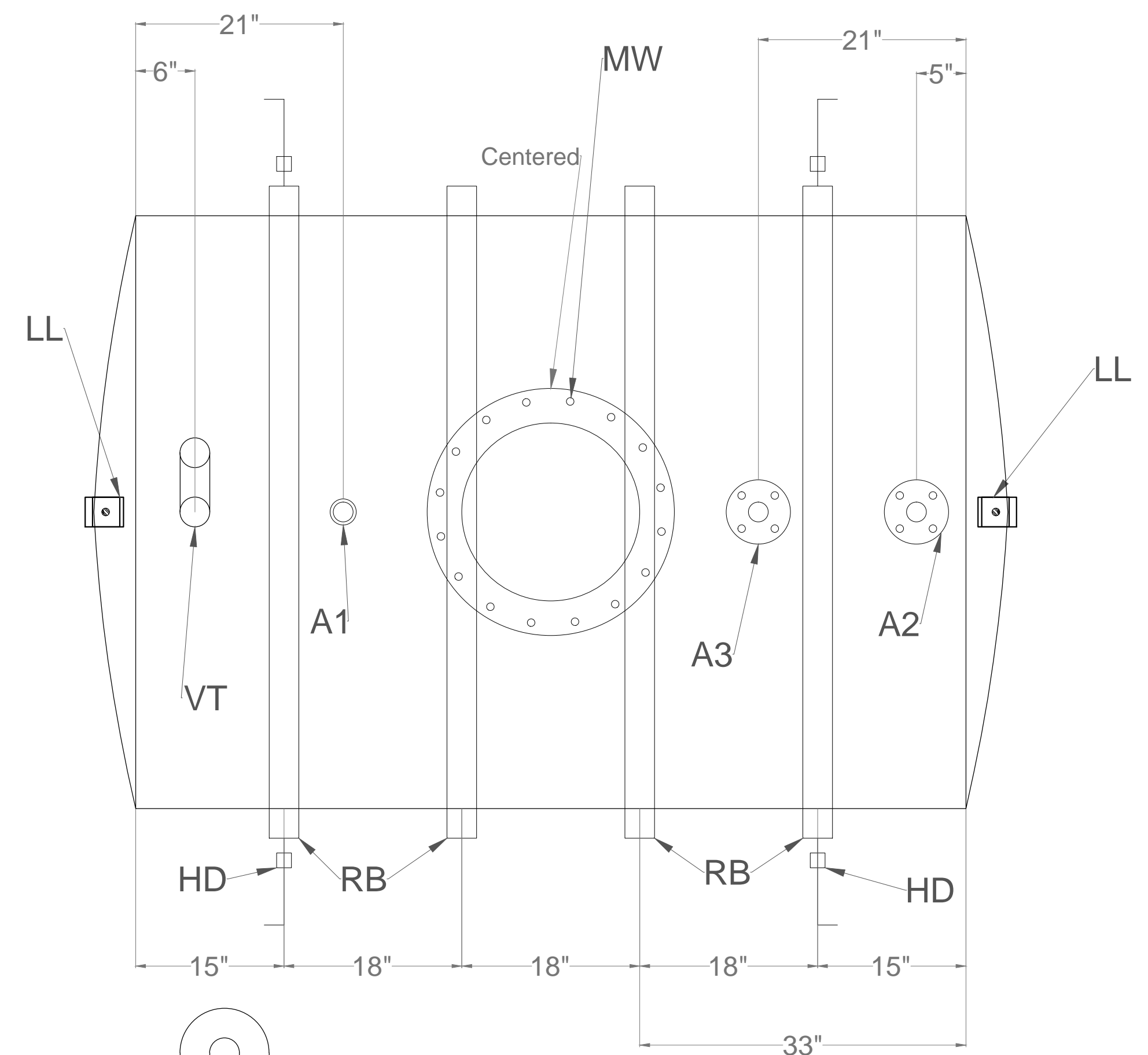
PLEASE CHECK ALL LOCATIONS & MEASUREMENTS SHOWN  
NOTE ALL CHANGES IN RED

Model #BGDT-500 / DW-FRP  
1500 gallon below ground  
decontamination tank



TANK		
	TANK DIA.	48" (4')
	TANK ST. WALL/HEIGHT	72" (6')
	TANK TOP	Dome
	TANK BOTTOM	Dome
	TANK THICKNESS	1/4"
	NO. REQ'D	1
GENERAL		
	VESSEL CONTENT	Decontamination Water
	CONCENTRATION	All
	VESSEL CAPACITY	550 Gallons
	EMPTY WEIGHT	Approx. 400 lbs
	BOLTING MATERIAL	Zinc
	GASKET MATERIAL	EPDM
	EXT. SURFACE	Clear
	DESIGN CODE	ASTM 4097
	SPECIFIC GRAVITY:	1.0
	DESIGN PRESSURE:	Atmospheric
	DESIGN TEMPERATURE:	Ambient
	LINER VEIL:	C-Veil
	LINER RESIN:	Vinyl Ester
	TOTAL LINER THICKNESS:	125 mils
	STRUCTURE RESIN:	Isophthalic
	CATALYST RESIN:	MEKP
DESIGN		

DRAWING TITLE: 4x6' Underground Tank	
CUSTOMER: Town & Country 10 Timber Ln b Marlboro Township, NJ 07746	P.O. # - QUOTE # - DRAWN BY: - DATE DRAWN/REV DATE - / - DRAWING # REV: - / -
FOR:	



Top View shows degree placement/orientation. Side View shows height placement (orientation may look inaccurate for clarity of height).

MARK	QTY	DESCRIPTION	DEGREE	RAD/HT	SERV
LL	2	Lift Lugs, Galvanized	See Drawing	See Drawing	Moving Tank
HD	2	FRP Hold Down Straps w/ Galv. Turn Buckles	See Drawing	See Drawing	Securing Tank
VT	1	3" Gooseneck Vent w/ 6' Extension	See Drawing	See Drawing	Vent Use Only
MW	1	18" Manway w/ 40" Riser	See Drawing	See Drawing	Access
A1	1	2" Half Coupling	See Drawing	See Drawing	Alarm
A2	1	2" Flanged Nozzle, Gusseted	See Drawing	See Drawing	Shower Drain
A3	1	2" Flanged Nozzle, Gusseted, Internal Pipe	See Drawing	See Drawing	Suction Pipe
RB	4	Ribs (Spaced 18" Apart)	See Drawing	See Drawing	Strengthening Shell

**GENERAL NOTES:**

1. Tank to be fabricated according to manufacturer's standards which are in accordance with ASTM-4097.
2. All dimensions are in inches.
3. External gel coat to be white in color and 5 mil thick. No field painting to be provided by manufacturer
4. All flanged nozzles bolt hole are to straddle principle tank center lines. Nozzles are to project 5" from structural wall unless otherwise noted. All flanges 4" and smaller will be gusseted.
5. Tank must be vented properly. If vent screens are used, clean frequently. A gooseneck vent is required for ASME RTP-1-2017 standards.
6. Tank is designed for atmospheric pressure storage only. Failure to observe this could result in tank failure and void warranty.
7. Hardware to be Zinc.
8. Anchor bolts to be supplied by customer.
9. Anything not listed in this drawing will not be provided

**FOR APPROVAL**

DATE APPROVED:

APPROVED BY (sign and print name legibly):

PLEASE CHECK ALL LOCATIONS & MEASUREMENTS SHOWN  
NOTE ALL CHANGES IN RED

Model #BGDT-1000 / DW-FRP  
1500 gallon below ground  
decontamination tank

	TANK DIA.	60" (5')
TANK	TANK ST. WALL/HEIGHT	84" (7')
	TANK STYLE	Horizontal Underground (4 Ribs)
	TANK ENDS	Dome Ends
	STRUCTURAL THICKNESS	Est. 1/4"
	NO. REQ'D	1
GENERAL	VESSEL CONTENT	Decontamination Water
	CONCENTRATION	All
	NOMINAL CAPACITY	1,000 Gallons
	EMPTY WEIGHT	Approx. ___ lbs.
	BOLTING MATERIAL	Zinc Manway Bolts
	GASKET MATERIAL	EPDM
DESIGN	EXT. SURFACE	Clear/Natural
	DESIGN CODE	ASTM 4097 (Hand Lay-up)
	SPECIFIC GRAVITY:	1.0
	DESIGN PRESSURE:	Atmospheric
	DESIGN TEMPERATURE:	Ambient
	LINER VEIL:	C-Veil
	LINER RESIN:	Vinyl Ester(8301)
	TOTAL LINER THICKNESS:	125 mils (1/8")
	STRUCTURE RESIN:	Isophthalic(cor75)
	CATALYST RESIN:	MEKP

DRAWING TITLE:

5'x7' 1,000 Gallons



Town & Country  
10 Timber Lane  
Marlboro, NJ 07746

P.O. #

QUOTE #

DRAWN BY:  
Kelsie Baslee

Office: (732)780-5300  
Fax: (732)294-0001  
tandcplastics.com

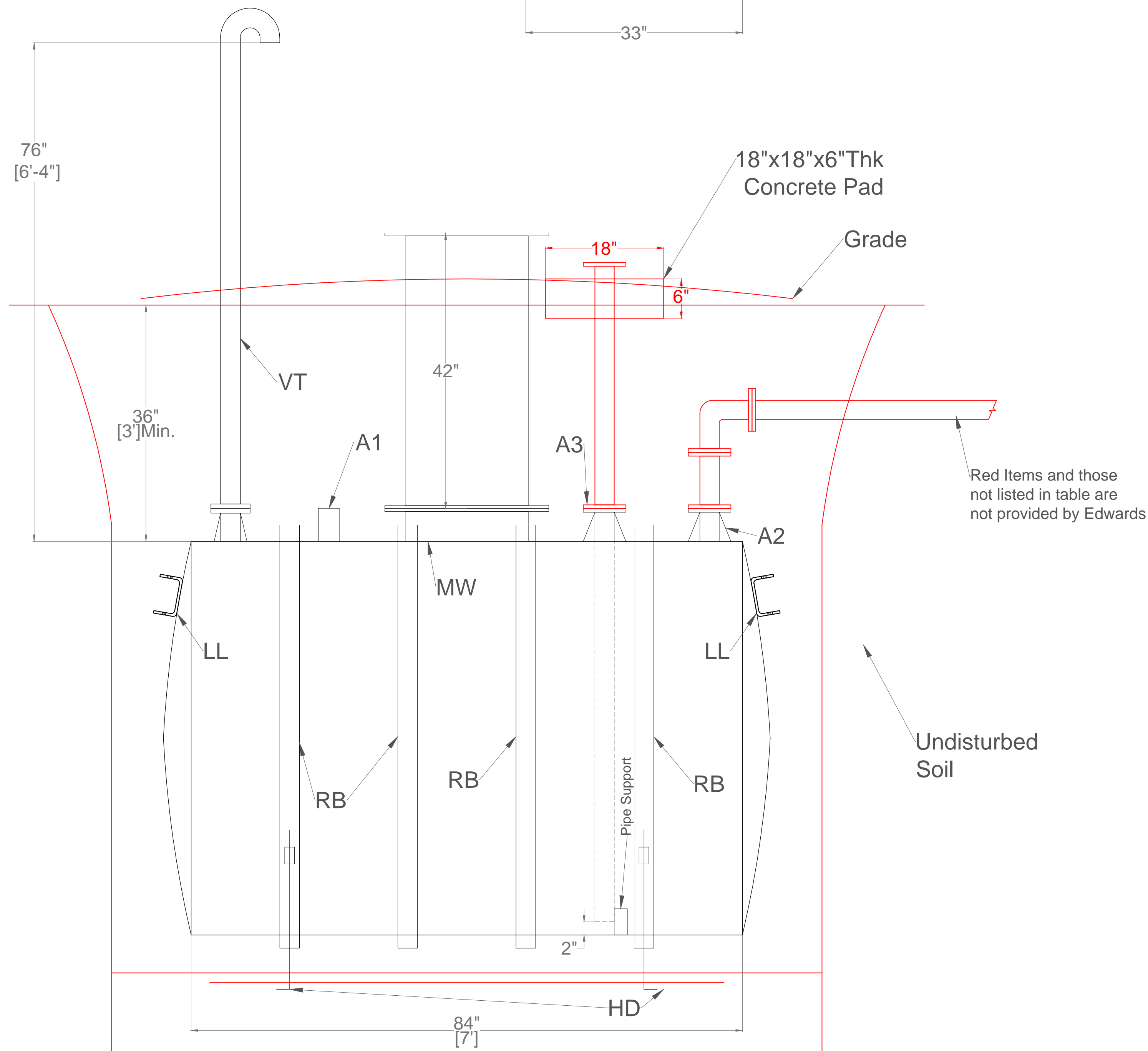
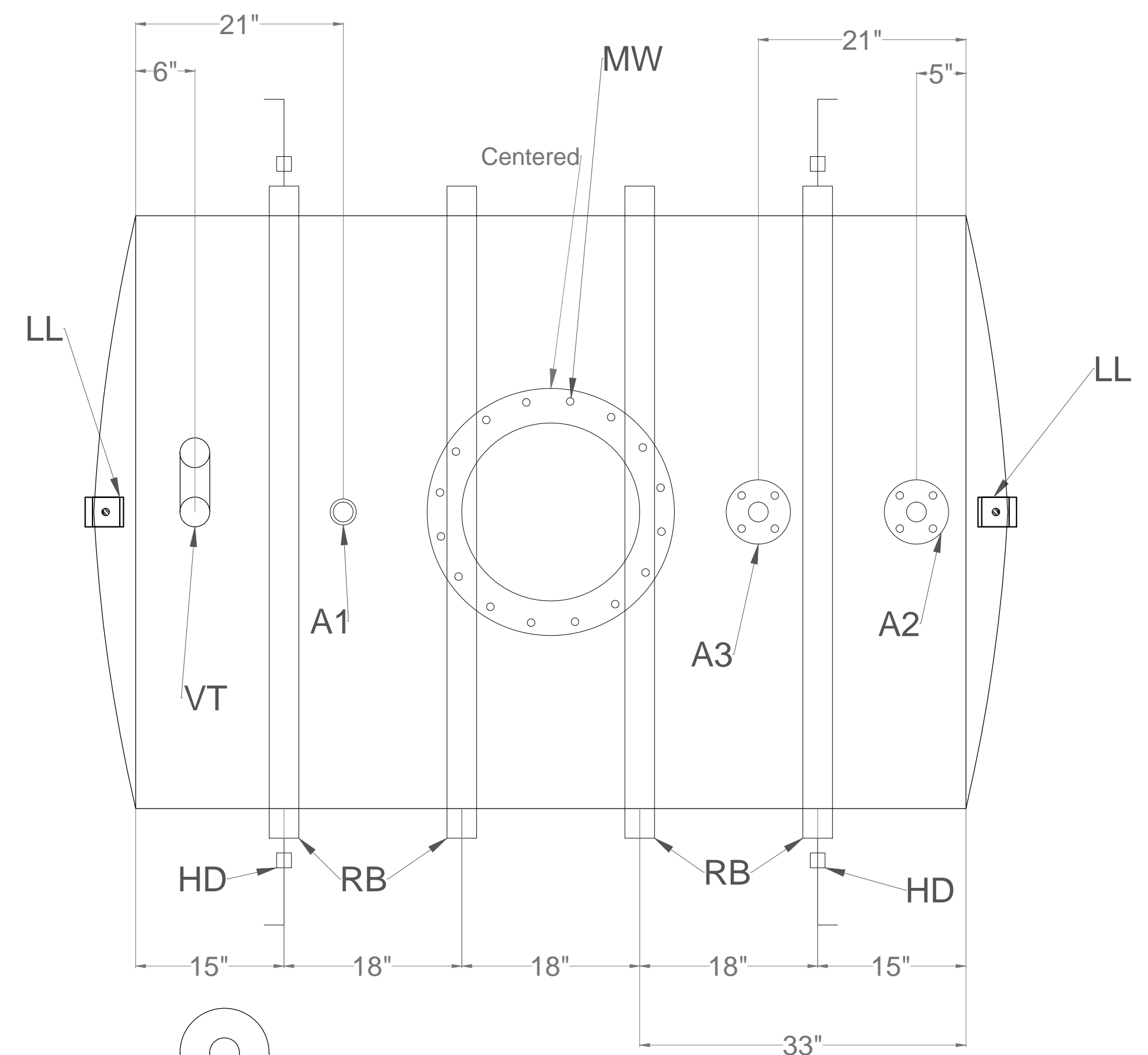
DATE DRAWN/REV DATE  
February  
2020

DRAWING # REV:  
5'x7' A



**TOWN & COUNTRY PLASTICS**  
Customized For Precision





Top View shows degree placement/orientation. Side View shows height placement (orientation may look inaccurate for clarity of height).

MARK	QTY	DESCRIPTION	DEGREE	RAD/HT	SERV
LL	2	Lift Lugs, Galvanized	See Drawing	See Drawing	Moving Tank
HD	2	FRP Hold Down Straps w/ Galv. Turn Buckles	See Drawing	See Drawing	Securing Tank
VT	1	3" Gooseneck Vent w/ 6' Extension	See Drawing	See Drawing	Vent Use Only
MW	1	18" Manway w/ 40" Riser	See Drawing	See Drawing	Access
A1	1	2" Half Coupling	See Drawing	See Drawing	Alarm
A2	1	2" Flanged Nozzle, Gusseted	See Drawing	See Drawing	Shower Drain
A3	1	2" Flanged Nozzle, Gusseted, Internal Pipe	See Drawing	See Drawing	Suction Pipe
RB	4	Ribs (Spaced 18" Apart)	See Drawing	See Drawing	Strengthening Shell

**GENERAL NOTES:**

1. Tank to be fabricated according to T&C Plastics standards which are in accordance with ASTM-4097.
2. All dimensions are in inches.
3. External gel coat to be white in color and 5 mil thick. No field painting to be provided by manufacturer
4. All flanged nozzles bolt hole are to straddle principle tank center lines. Nozzles are to project 5" from structural wall unless otherwise noted. All flanges 4" and smaller will be gusseted.
5. Tank must be vented properly. If vent screens are used, clean frequently. A gooseneck vent is required for ASME RTP-1-2017 standards.
6. Tank is designed for atmospheric pressure storage only. Failure to observe this could result in tank failure and void warranty.
7. Hardware to be Zinc.
8. Anchor bolts to be supplied by customer.
9. Anything not listed in this drawing will not be provided

**FOR APPROVAL**

DATE APPROVED:

APPROVED BY (sign and print name legibly):

PLEASE CHECK ALL LOCATIONS & MEASUREMENTS SHOWN  
NOTE ALL CHANGES IN RED

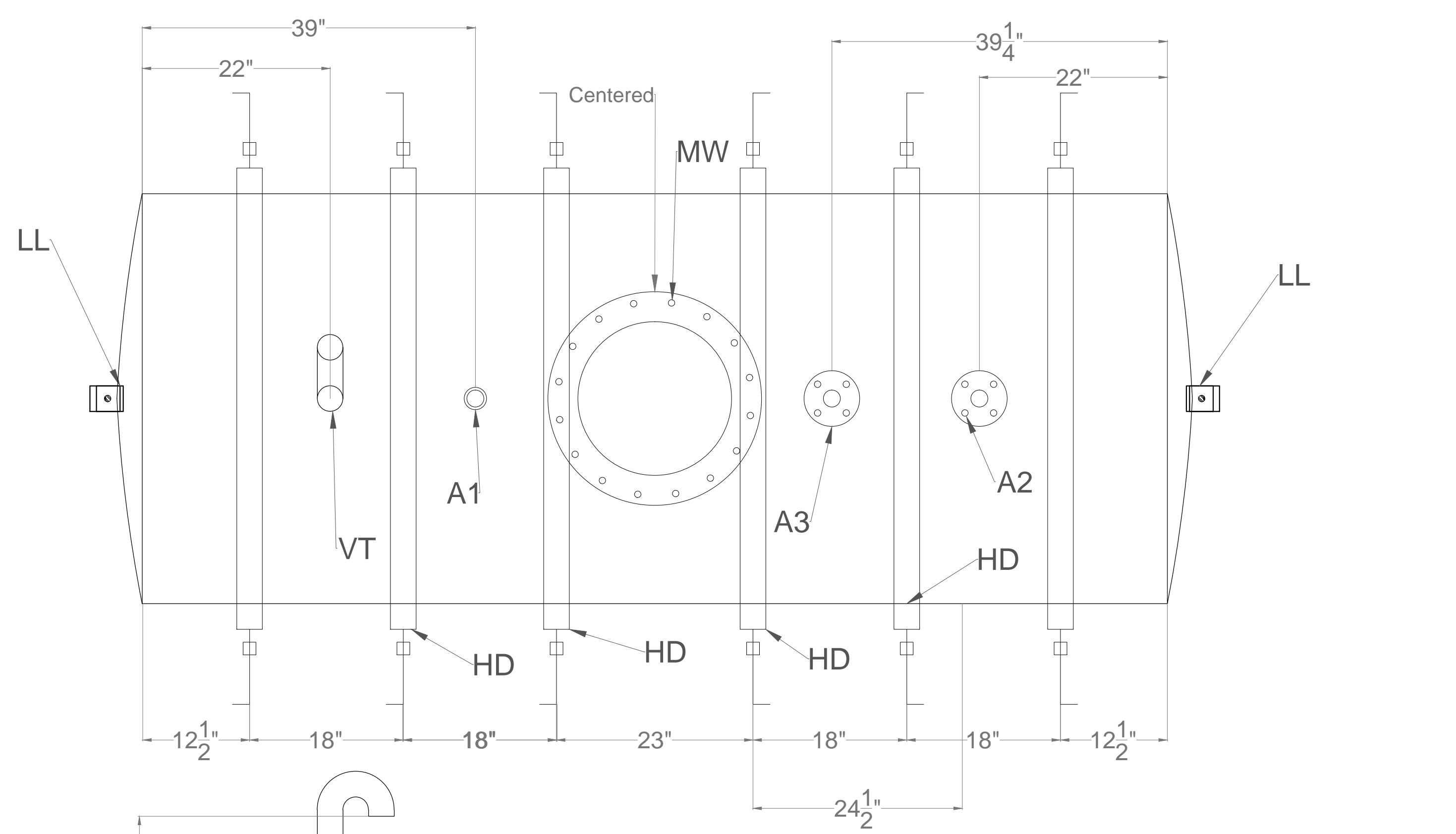
Model #BGDT-1500 V2/ DW-FRP  
1500 gallon below ground  
decontamination tank

	TANK DIA.	72" (6')
TANK	TANK ST. WALL/HEIGHT	84" (7')
	TANK STYLE	Horizontal Underground (4 Ribs)
	TANK ENDS	Dome Ends
	STRUCTURAL THICKNESS	Est. 1/4"
	NO. REQ'D	1
GENERAL	VESSEL CONTENT	Decontamination Water
	CONCENTRATION	All
	NOMINAL CAPACITY	1,615 Gallons
	EMPTY WEIGHT	Approx. ___ lbs.
	BOLTING MATERIAL	Zinc Manway Bolts
	GASKET MATERIAL	EPDM
DESIGN	EXT. SURFACE	Clear/Natural
	DESIGN CODE	ASTM 4097 (Hand Lay-up)
	SPECIFIC GRAVITY:	1.0
	DESIGN PRESSURE:	Atmospheric
	DESIGN TEMPERATURE:	Ambient
	LINER VEIL:	C-Veil
	LINER RESIN:	Vinyl Ester(8301)
	TOTAL LINER THICKNESS:	125 mils (1/8")
	STRUCTURE RESIN:	Isophthalic(cor75)
	CATALYST RESIN:	MEKP

DRAWING TITLE: 6'x7' Underground	
 Town & Country 10 Timber Lane Marlboro, NJ 07746	P.O. #
	QUOTE #
Office: (732)780-5300 Fax: (732)294-0001 tandcplastics.com	DRAWN BY: Kelsie Baslee
	DATE DRAWN/REV DATE February 2020
	DRAWING # REV: 6'x7' A

Top View shows degree placement/orientation. Side View shows height placement (orientation may look inaccurate for clarity of height).

MARK	QTY	DESCRIPTION	DEGREE	RAD/HT	SERV
LL	2	Lift Lugs, Galvanized	See Drawing	See Drawing	Moving Tank
HD	4	FRP Hold Down Straps w/ Galv. Turn Buckles	See Drawing	See Drawing	Securing Tank
VT	1	3" Gooseneck Vent w/ 6' Extension	See Drawing	See Drawing	Vent Use Only
MW	1	18" Manway w/ 40" Riser	See Drawing	See Drawing	Access
A1	1	2" Half Coupling	See Drawing	See Drawing	Alarm
A2	1	2" Flanged Nozzle, Gusseted	See Drawing	See Drawing	Shower Drain
A3	1	2" Flanged Nozzle, Gusseted, Internal Pipe	See Drawing	See Drawing	Suction Pipe



**GENERAL NOTES:**

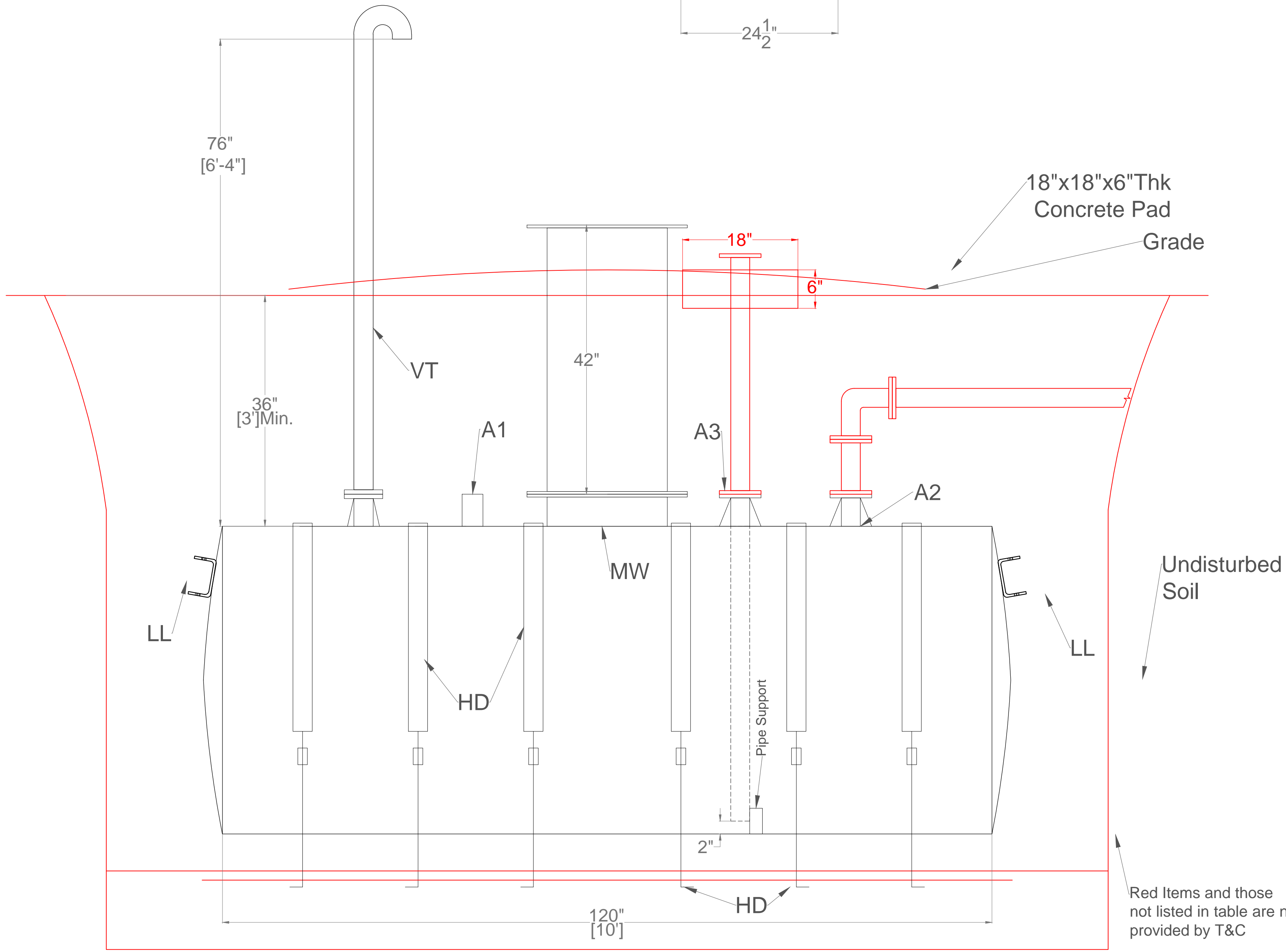
- Tank to be fabricated according Town & Country Plastics LLC standards which are in accordance with ASTM-4097.
- All dimensions are in inches.
- External gel coat to be white in color and 5 mil thick. No field painting to be provided by T&C.
- All flanged nozzles bolt hole are to straddle principle tank center lines. Nozzles are to project 5" from structural wall unless otherwise noted. All flanges 4" and smaller will be gusseted.
- Tank must be vented properly. If vent screens are used, clean frequently. A gooseneck vent is required for ASME RTP-1-2017 standards.
- Tank is designed for atmospheric pressure storage only. Failure to observe this could result in tank failure and void warranty.
- Hardware to be Zinc.
- Anchor bolts to be supplied by customer.
- Anything not listed in this drawing will not be provided by T&C.

**FOR APPROVAL**

DATE APPROVED: \_\_\_\_\_

APPROVED BY (sign and print name legibly): \_\_\_\_\_

PLEASE CHECK ALL LOCATIONS & MEASUREMENTS SHOWN  
NOTE ALL CHANGES IN RED



TANK	TANK DIA.	60" (5')
	TANK ST. WALL/HEIGHT	120" (10')
	TANK STYLE	Horizontal Underground (6 Ribs)
	TANK ENDS	Dome Ends
	STRUCTURAL THICKNESS	Est. 1/4"
GENERAL	NO. REQ'D	1
	VESSEL CONTENT	Decontamination Water
	CONCENTRATION	All
	NET CAPACITY	Est. 1600 Gallons
	EMPTY WEIGHT	Approx. ___ lbs.
	BOLTING MATERIAL	Zinc Manway Bolts
DESIGN	GASKET MATERIAL	EPDM
	EXT. SURFACE	Clear/Natural
	DESIGN CODE	ASTM 4097 (Hand Lay-up)
	SPECIFIC GRAVITY:	1.0
	DESIGN PRESSURE:	Atmospheric
	DESIGN TEMPERATURE:	Ambient
	LINER VEIL:	C-Veil
	LINER RESIN:	Vinyl Ester(8301)
	TOTAL LINER THICKNESS:	125 mils (1/8")
	STRUCTURE RESIN:	Isophthalic(cor75)
CATALYST RESIN:	MEKP	

**Model #BGDT-1500 / DW-FRP**  
1500 gallon below ground decontamination tank

DRAWING TITLE:  
5'x10' Underground Tank

**T&C**  
Town & Country  
10 Timber Lane  
Marlboro, NJ 07746

P.O. # \_\_\_\_\_  
QUOTE # \_\_\_\_\_  
DRAWN BY: \_\_\_\_\_  
DATE DRAWN: February 2020  
REV DATE: \_\_\_\_\_  
DRAWING # 5x10 Underground  
REV: A

Office: (732)780-5300  
Fax: (732)294-0001  
tandcplastics.com