

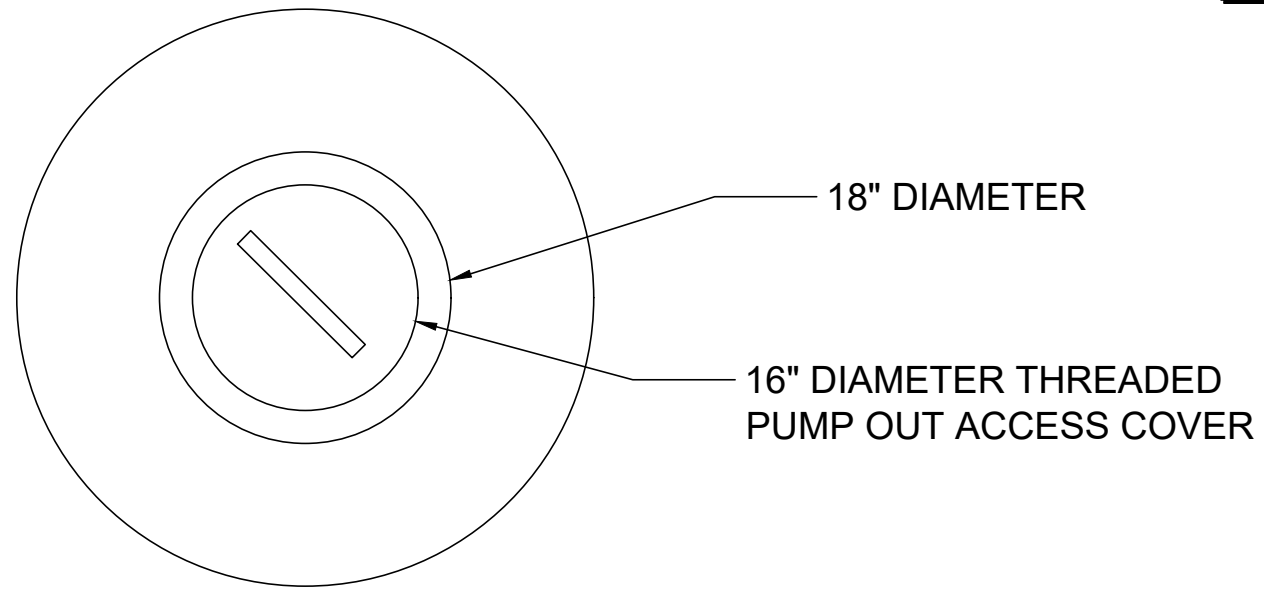
4

3

2

1

TOP VIEW



	FITTING SIZE	FITTING TYPE (MPT OR PLAIN END)	FITTING CENTERLINE

D

D

C

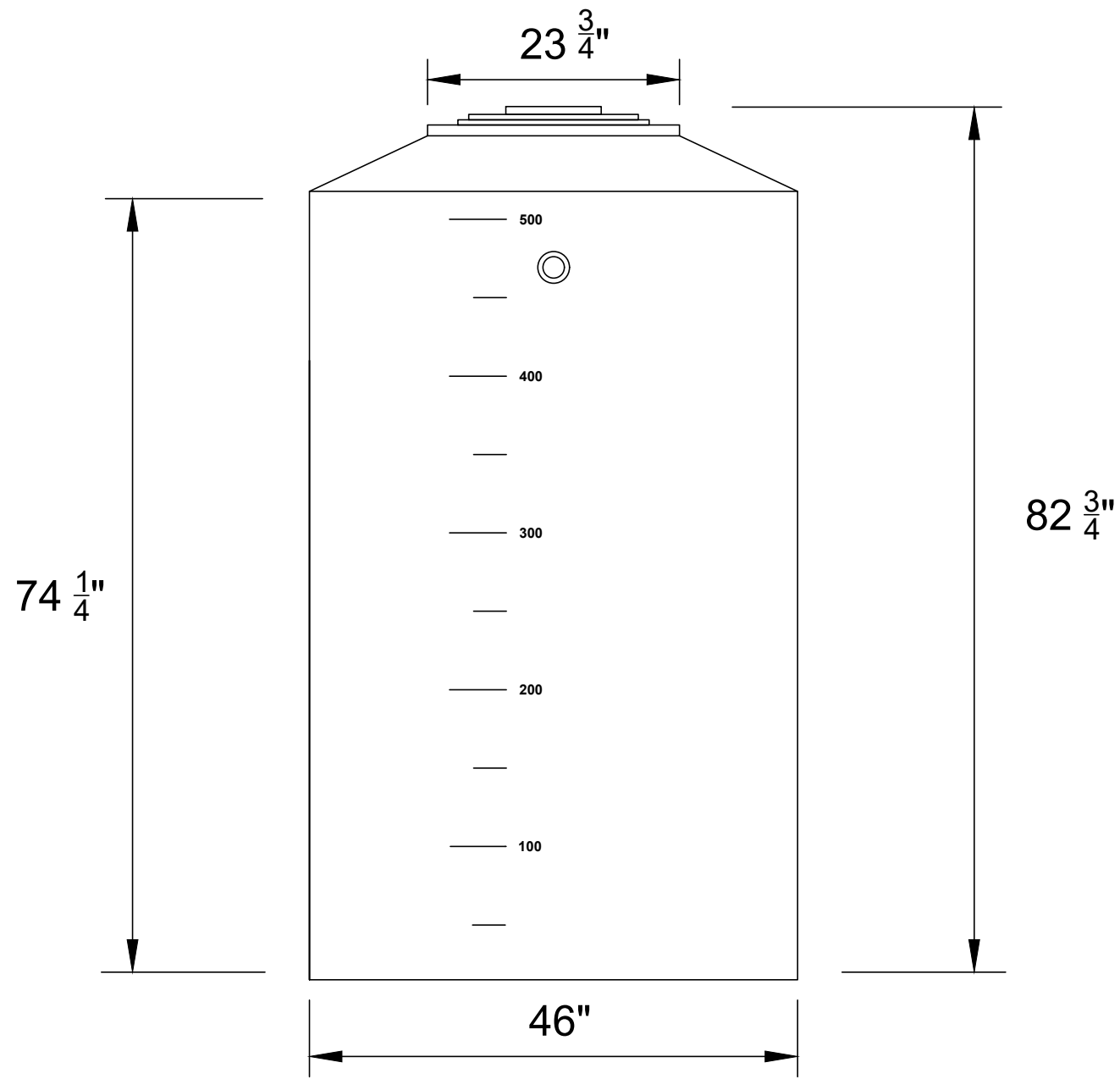
C

B

B

A

A



SECTION VIEW



TANK GALLON CAPACITY: 500	WELDED BY:	UNLESS STATED OTHERWISE DIMENSIONS ARE IN INCHES	MATERIAL: HDPE			TITLE: TCTD-500/HDPE	TCTD SERIES	REV:	 WWW.TANDCPLASTICS.COM 732-780-5300
	COMPLETED BY:		WEIGHT [lb]:	NAME	DATE		SHEET 1 OF 1	SIZE:	
	REVIEWED BY:		DO NOT SCALE DRAWING	CHECKED			SCALE: 1:2		

THE INFORMATION CONTAINED IN THIS DRAWING IS THE SOLE PROPERTY OF TOWN & COUNTRY PLASTICS LLC. ANY REPRODUCTION IN PART OR AS A WHOLE WITHOUT THE WRITTEN PERMISSION OF TOWN & PLASTICS LLC IS PROHIBITED.

4

3

2

1