

4

3

2

1

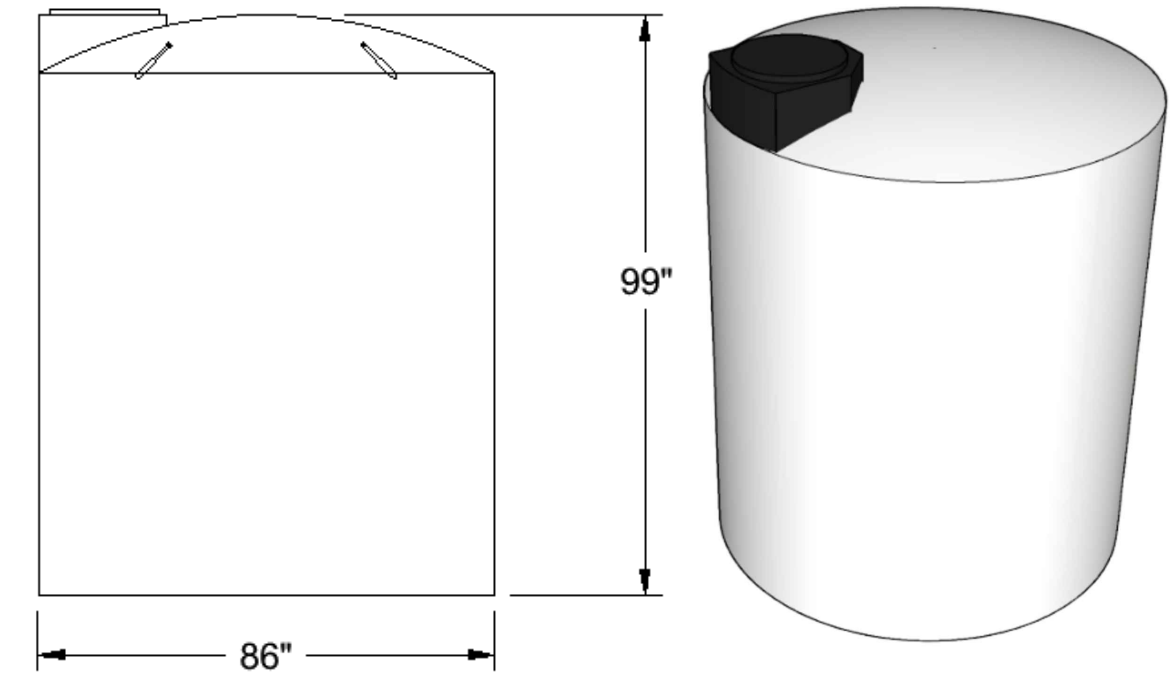
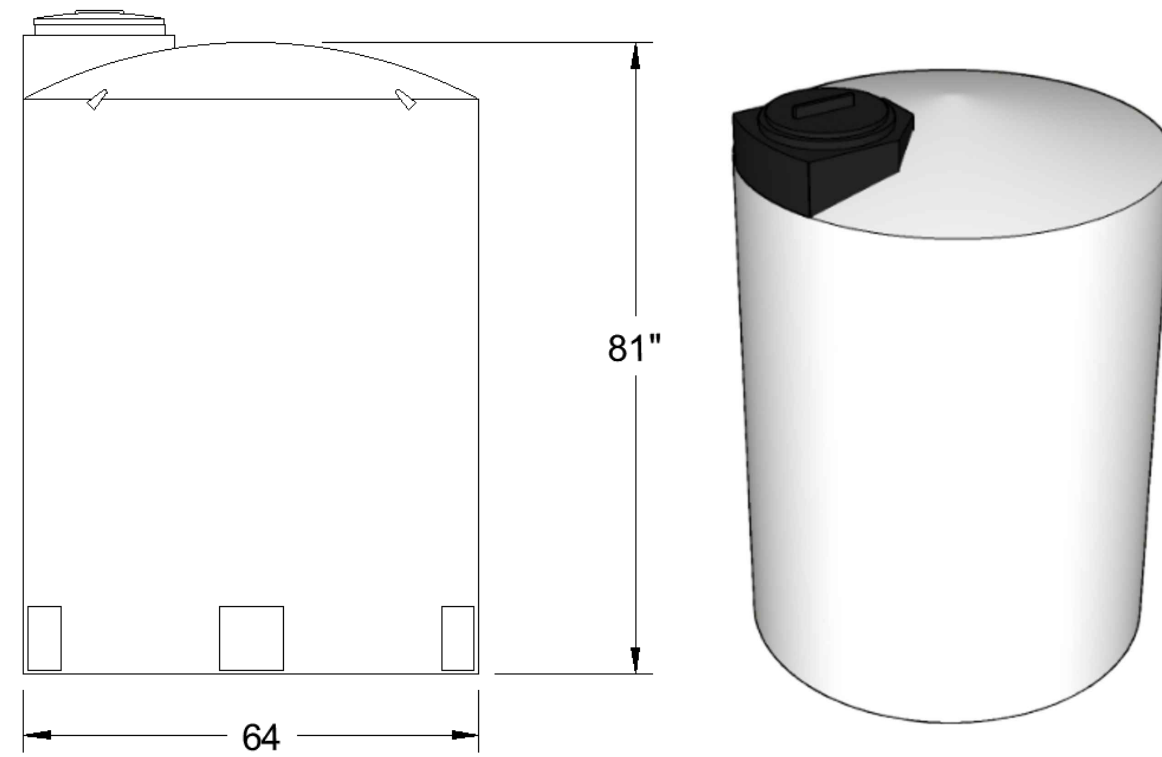
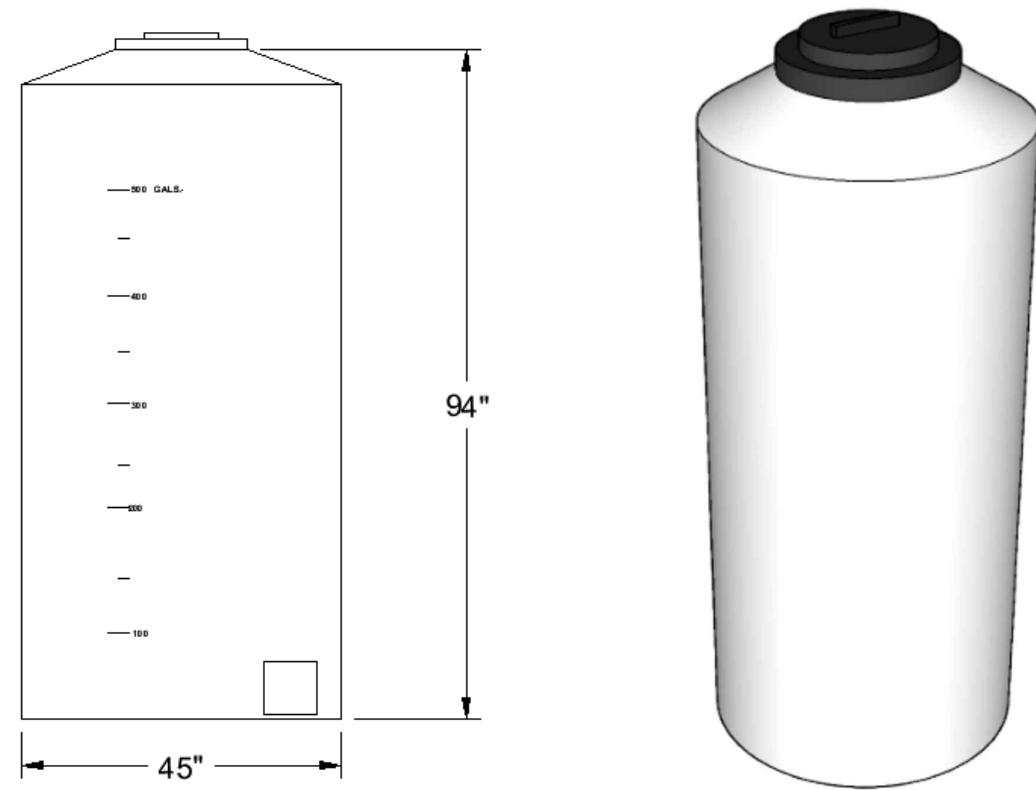
D

D

TCTD-550

TCTD-1000

TCTD-2150



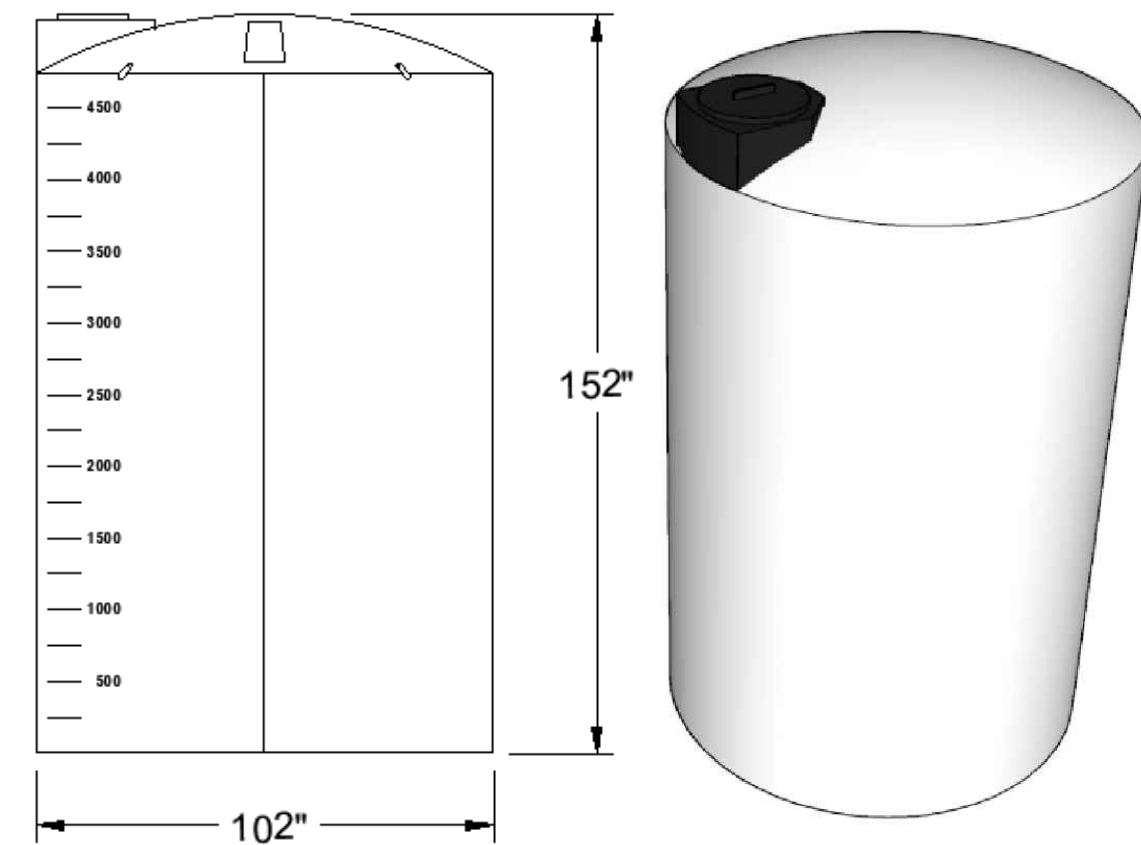
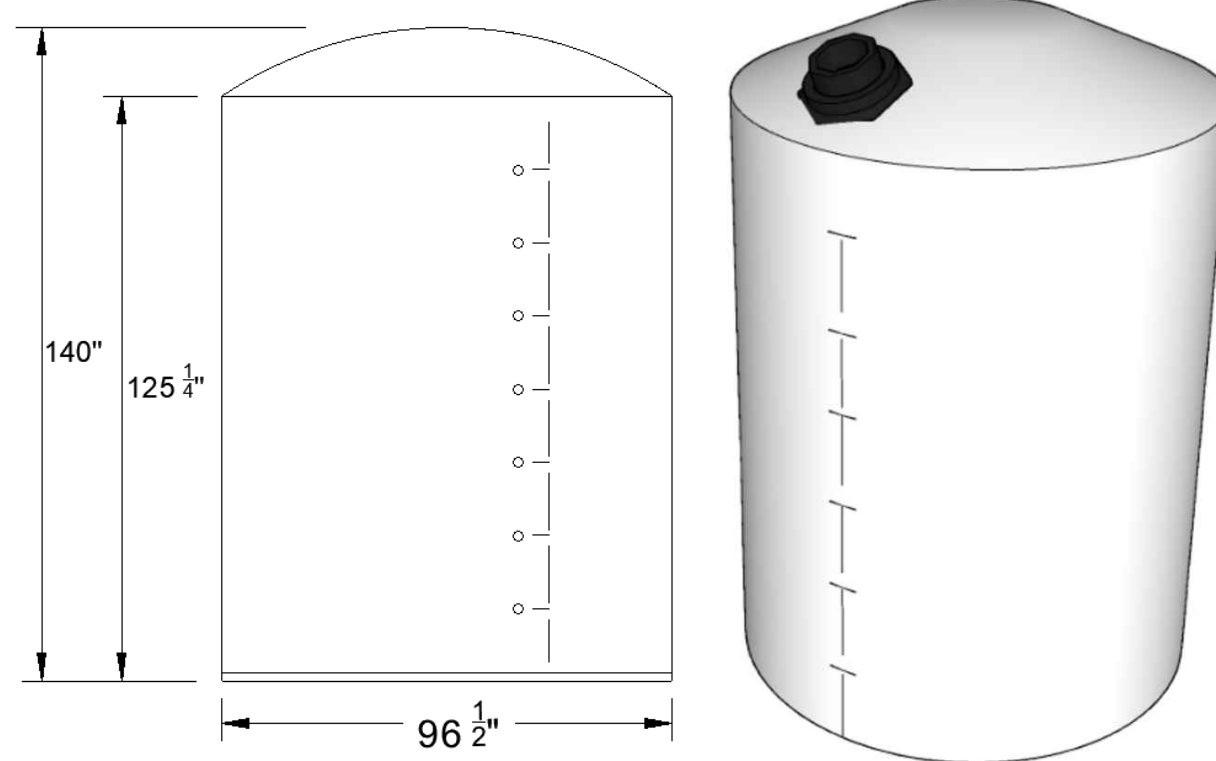
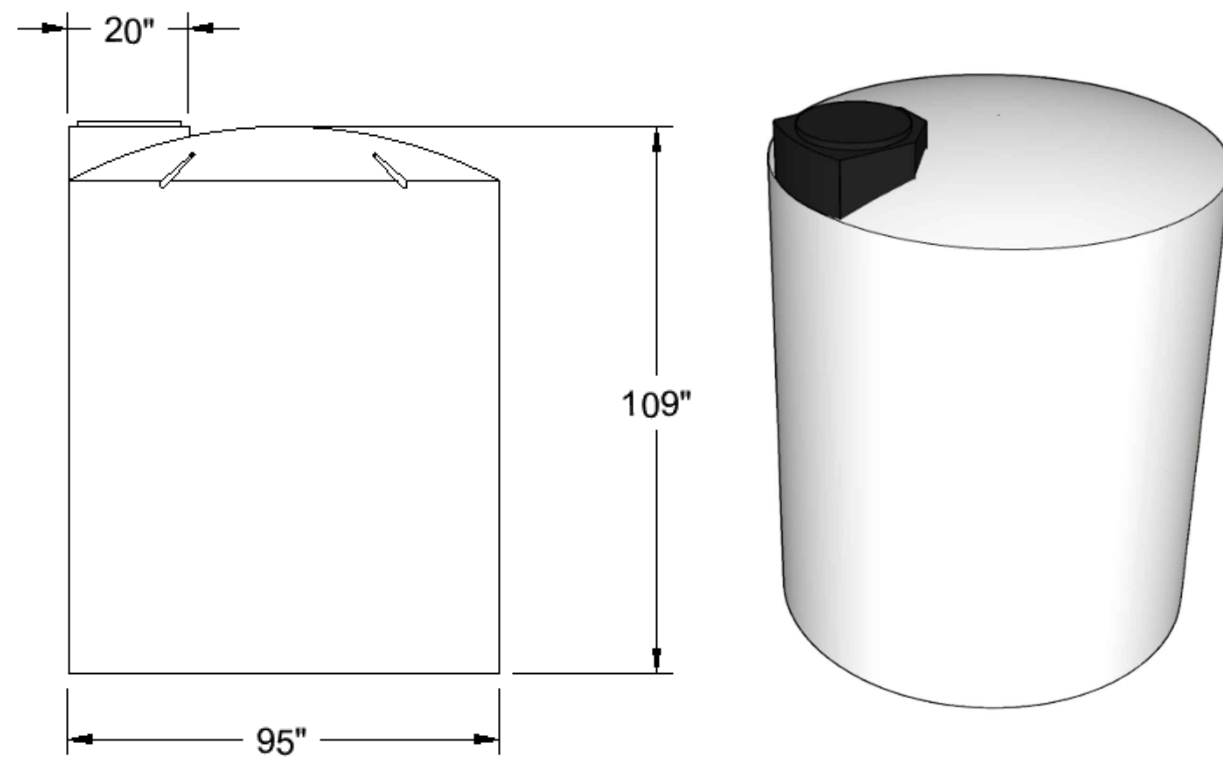
C

C

TCTD-3000

TCTD-4000

TCTD-5000



B

B

A

A

NOTES:

UNLESS STATED OTHERWISE DIMENSIONS ARE IN INCHES	MATERIAL:		
	WEIGHT [lb]:	NAME	DATE
	DO NOT SCALE DRAWING	DRAWN	DR 01/16/2023
	CHECKED		

TITLE:

**550-5000 GALLON
WATER & CHEMICAL
STORAGE TANK**

TCTD

SHEET 1 OF 1

SCALE: 1:2

REV:

SIZE:



THE INFORMATION CONTAINED IN THIS DRAWING IS THE SOLE PROPERTY OF TOWN & COUNTRY PLASTICS LLC. ANY REPRODUCTION IN PART OR AS A WHOLE WITHOUT THE WRITTEN PERMISSION OF TOWN & PLASTICS LLC IS PROHIBITED.

4

3

2

1