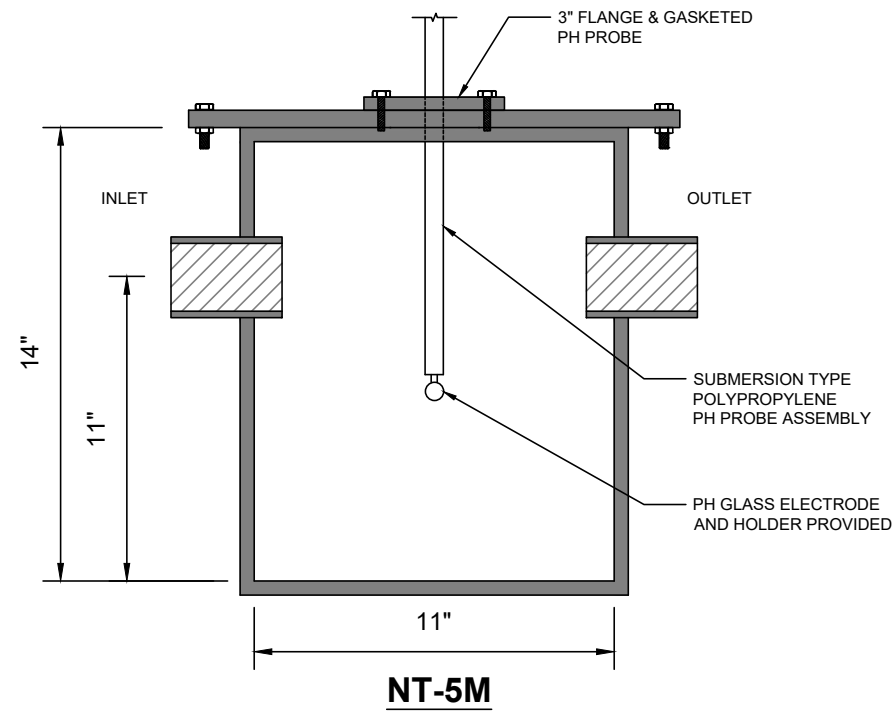
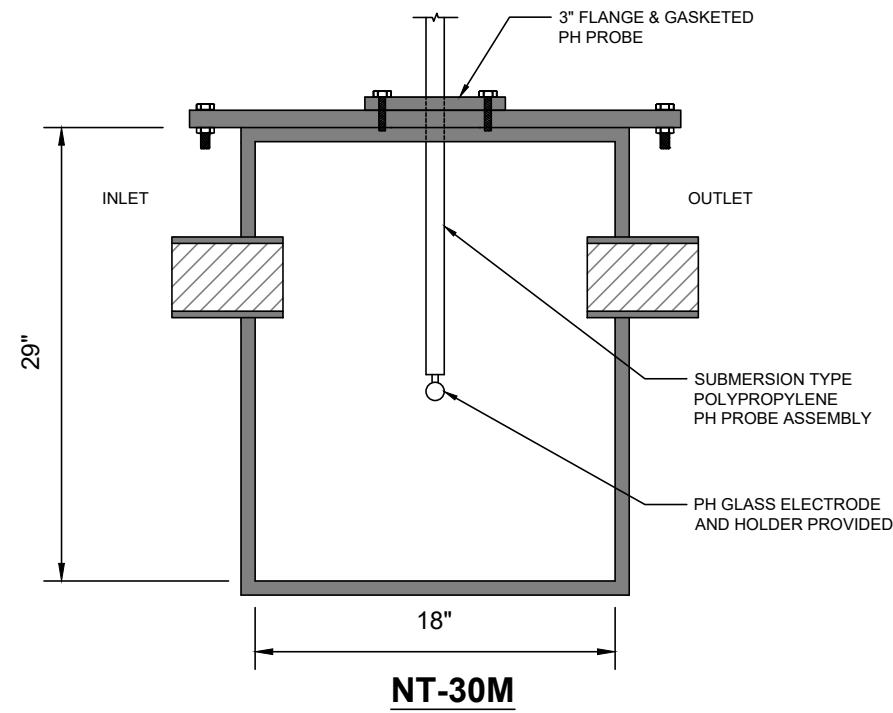


T&C PH MONITORING OPTIONS FOR LIMESTONE/PASSIVE TREATMENT SYSTEMS



ABOVE GROUND SAMPLING TANK

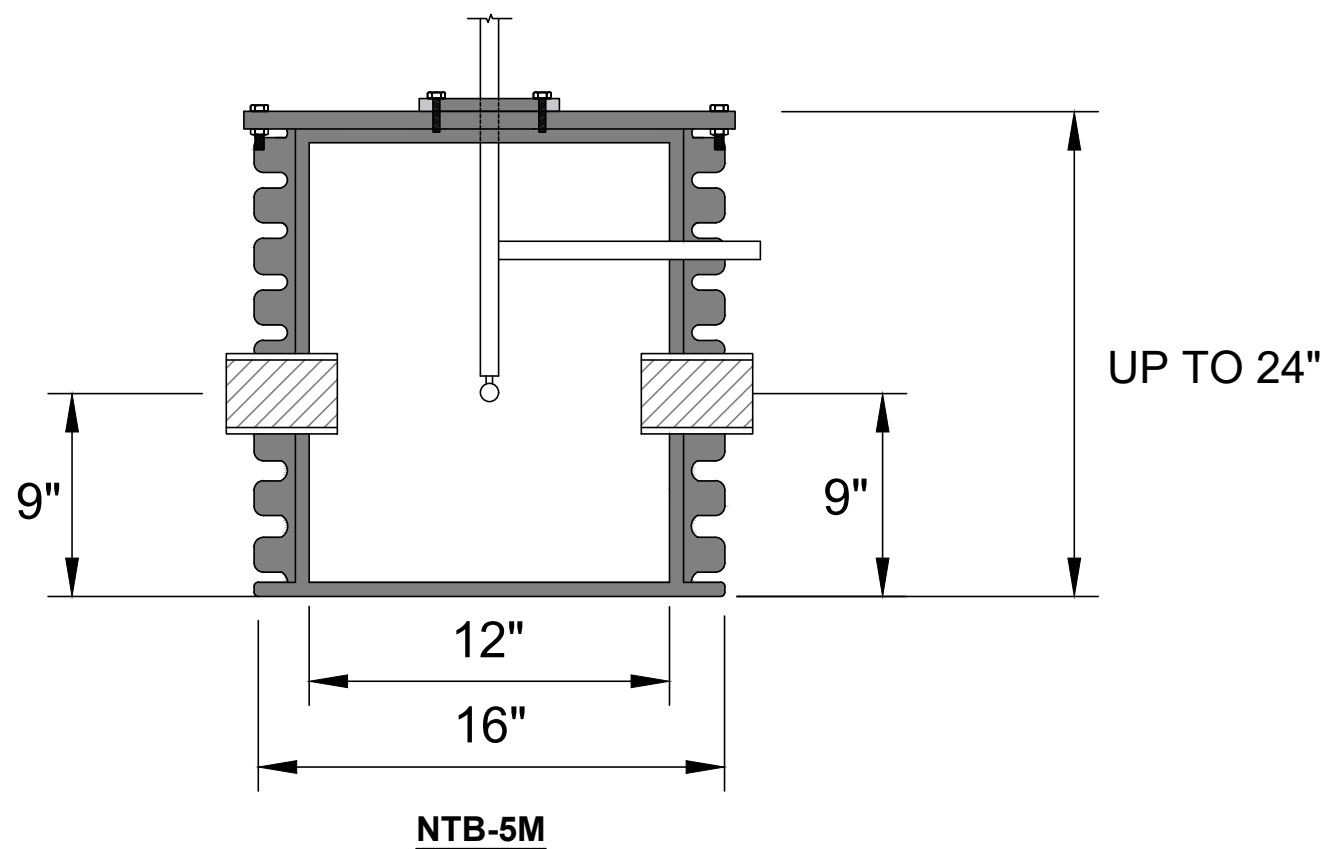


PHCP-100 and PHCP-100-R

-R denotes internal datalogger

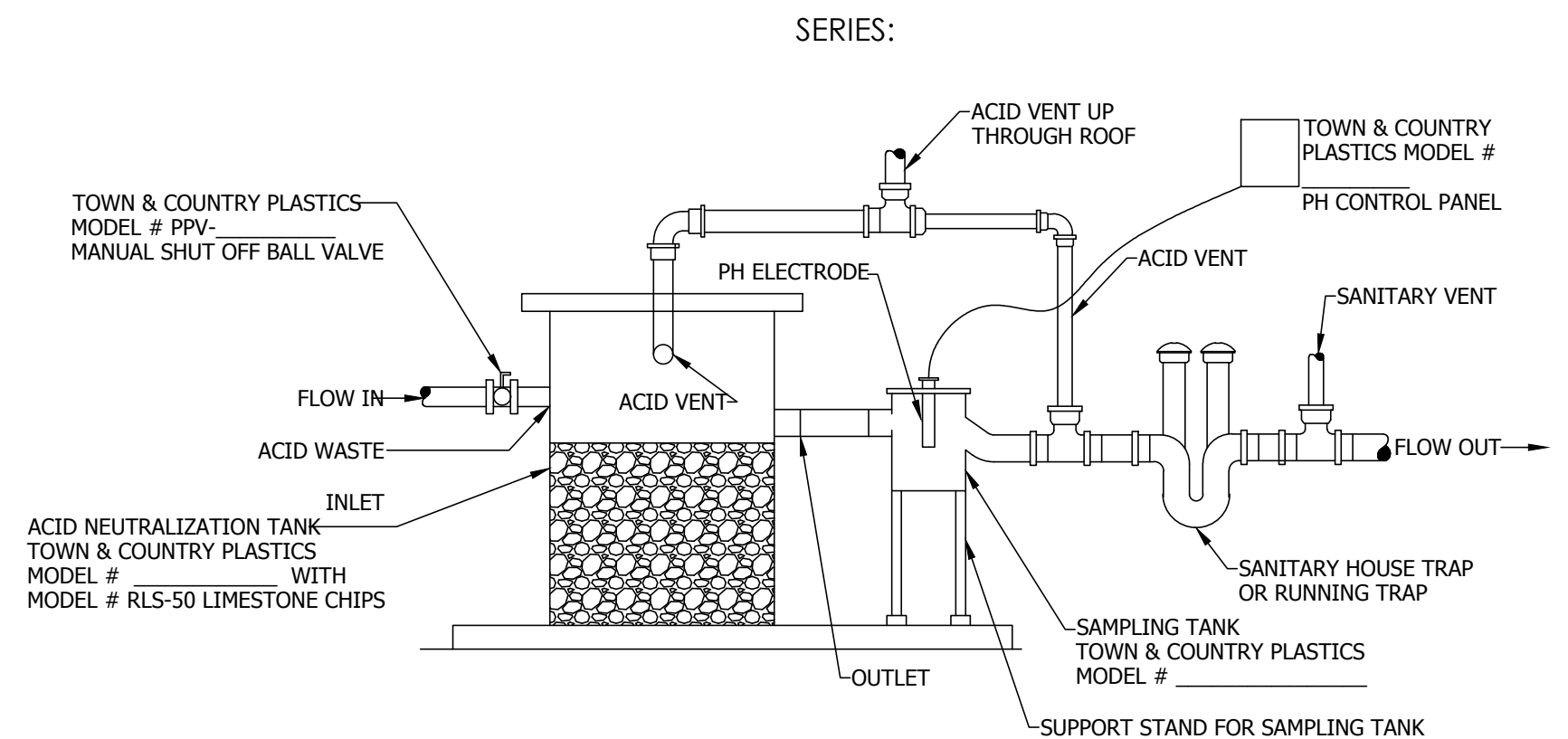
FEATURES:

- Programmable PLC Based pH Controller
- Touchscreen Operation with Settings Screen
- Single pH Electrode Included with Optional Datalogger
- 2 Additional Sensor Inputs (level sensor or other) Included
- Dry Contacts for BMS Connectivity Included
- Additional Inputs / Outputs Available



DIRECT BURIAL SAMPLING TANK

METHOD 1B LAYOUT



NOTES:

UNLESS STATED OTHERWISE DIMENSIONS ARE IN INCHES

DO NOT SCALE DRAWING

MATERIAL:			
WEIGHT [lb]:		NAME	DATE
		DRAWN	DR 11/15/2022
		CHECKED	

TITLE:

PH MONITORING

NT SERIES	REV:
SHEET 1 OF 1	SIZE:
SCALE: 1:2	

T&C PLASTICS

WWW.TANDCPLASTICS.COM

732-780-5300

THE INFORMATION CONTAINED IN THIS DRAWING IS THE SOLE PROPERTY OF TOWN & COUNTRY PLASTICS LLC. ANY REPRODUCTION IN PART OR AS A WHOLE WITHOUT THE WRITTEN PERMISSION OF TOWN & COUNTRY PLASTICS LLC IS PROHIBITED.