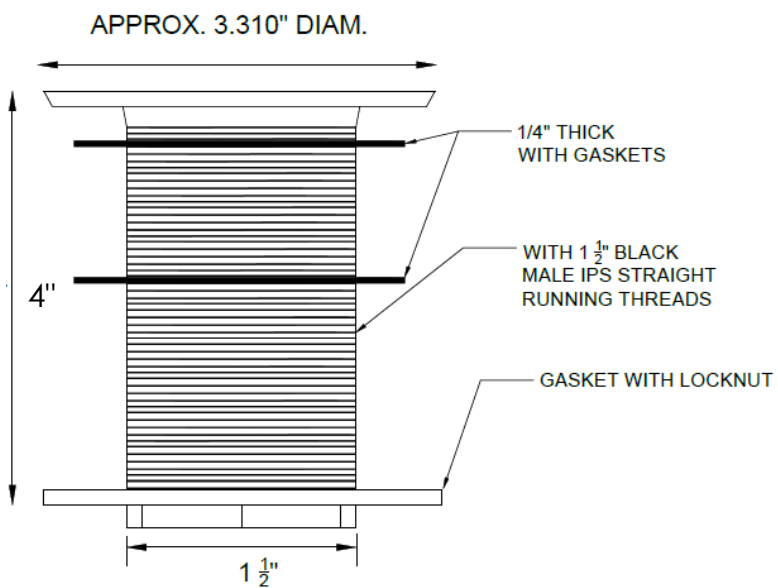
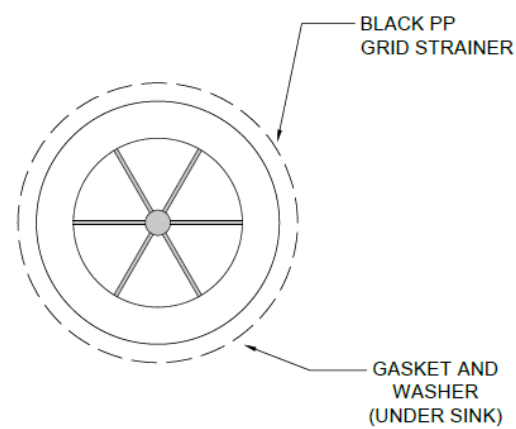


POLYPROPYLENE SINK STRAINERS

SIDE VIEW

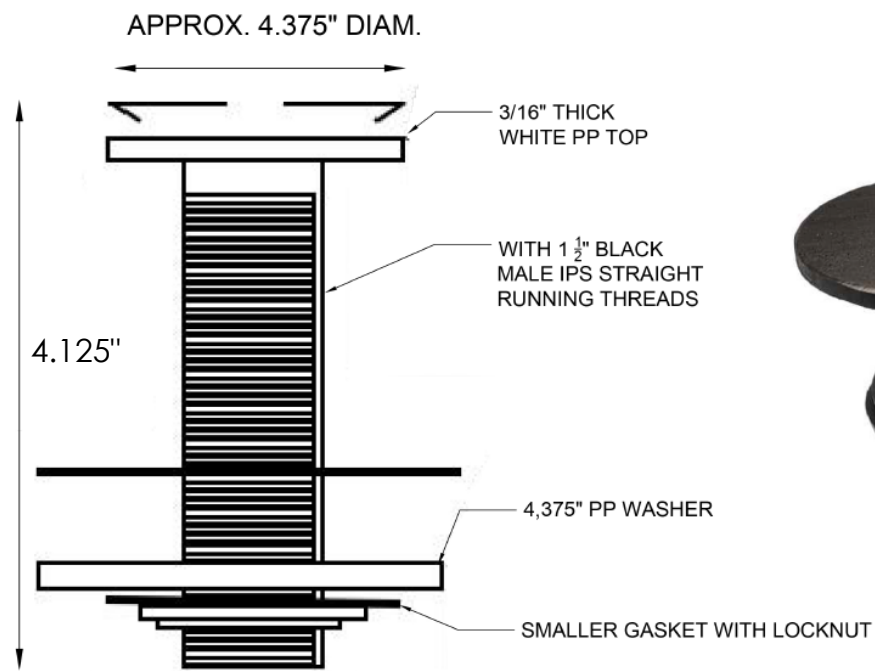


TOP VIEW

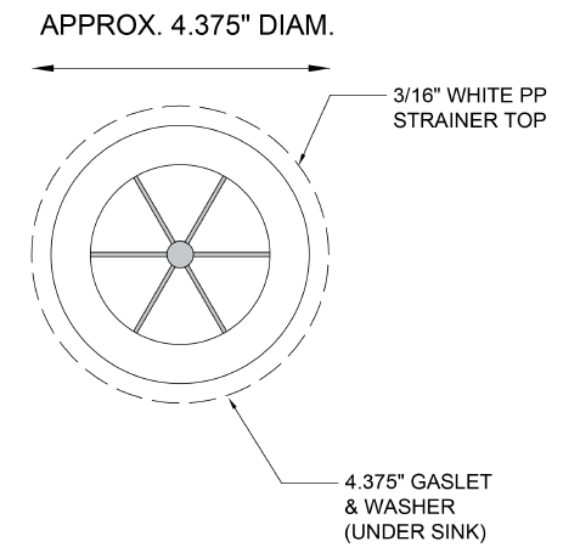


PP-41AP

SIDE VIEW

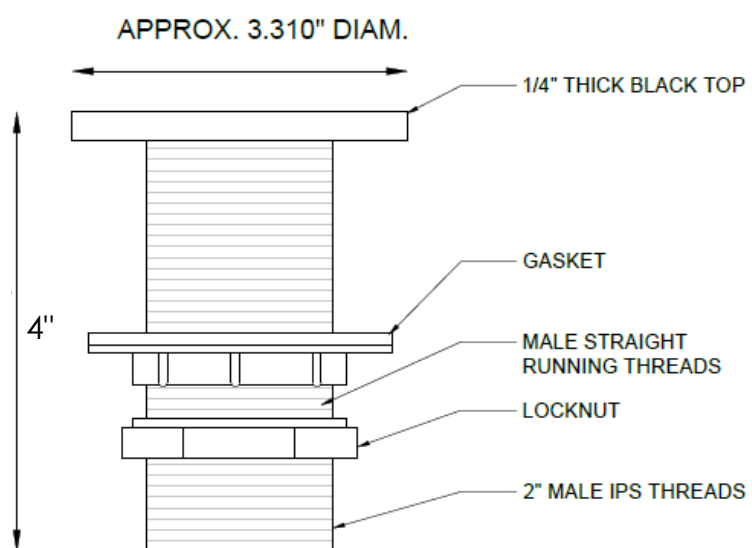


TOP VIEW

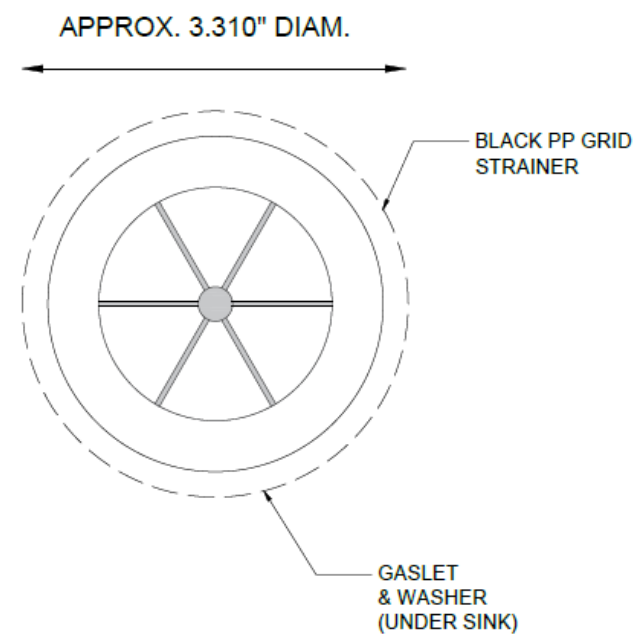


PP-39AX-4.375

SIDE VIEW

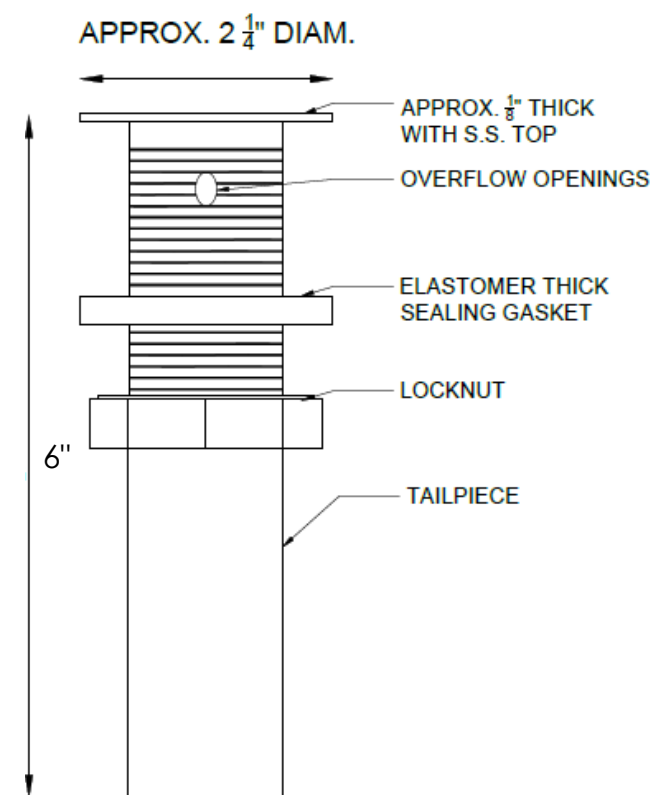


TOP VIEW

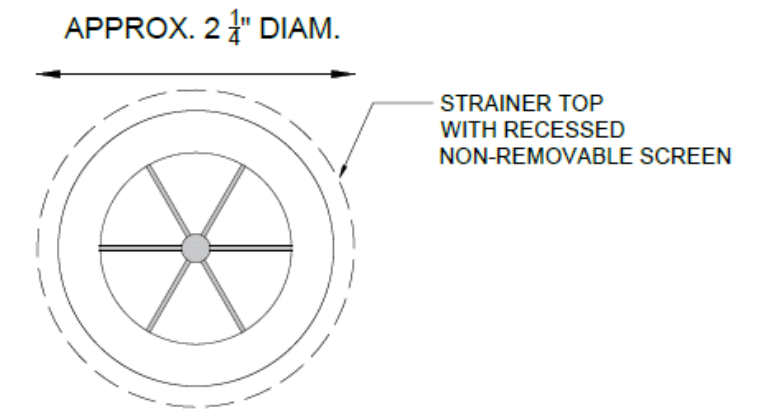


PP-40AM

SIDE VIEW



TOP VIEW



PP-39AX-2.25

NOTES:

UNLESS STATED OTHERWISE DIMENSIONS ARE IN INCHES	MATERIAL:		
	WEIGHT [lb]:	NAME	DATE
	DO NOT SCALE DRAWING	CHECKED	

TITLE:
T&C SINK STRAINERS

REV:
NT SERIES
SHEET 1 OF 1
SCALE: 1:2

REV:
T&C PLASTICS
WWW.TANDCPLASTICS.COM
732-780-5300

THE INFORMATION CONTAINED IN THIS DRAWING IS THE SOLE PROPERTY OF TOWN & COUNTRY PLASTICS LLC. ANY REPRODUCTION IN PART OR AS A WHOLE WITHOUT THE WRITTEN PERMISSION OF TOWN & COUNTRY PLASTICS LLC IS PROHIBITED.