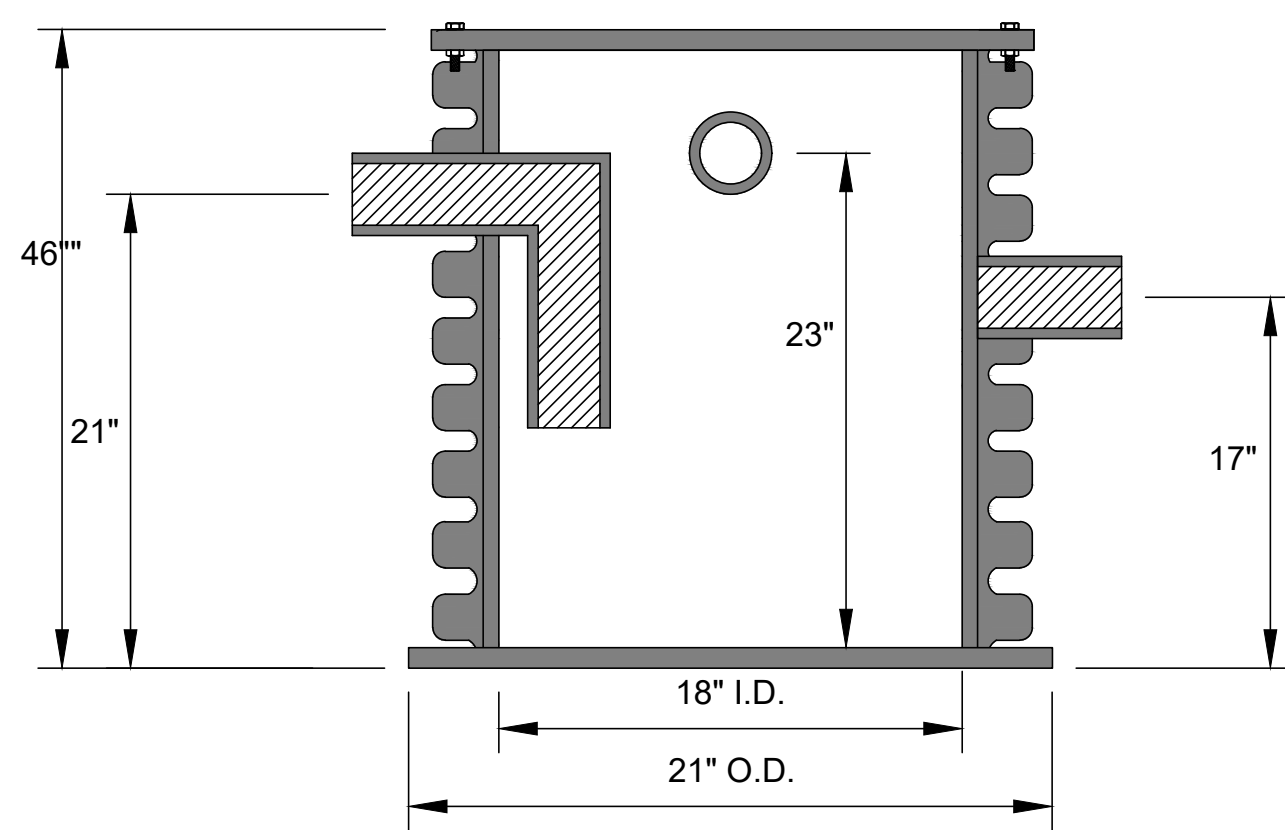
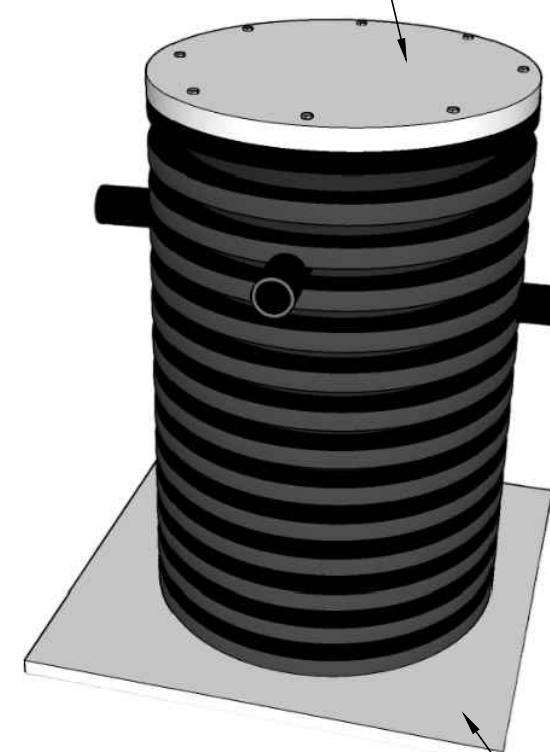


	FITTING SIZE	FITTING TYPE (MPT OR PLAIN END)	FITTING CENTERLINE	FITTING CENTERLINE (IF DIFFERENT THAN STANDARD)
INLET			21"	
OUTLET			17"	
VENT (IF NEEDED)			23"	

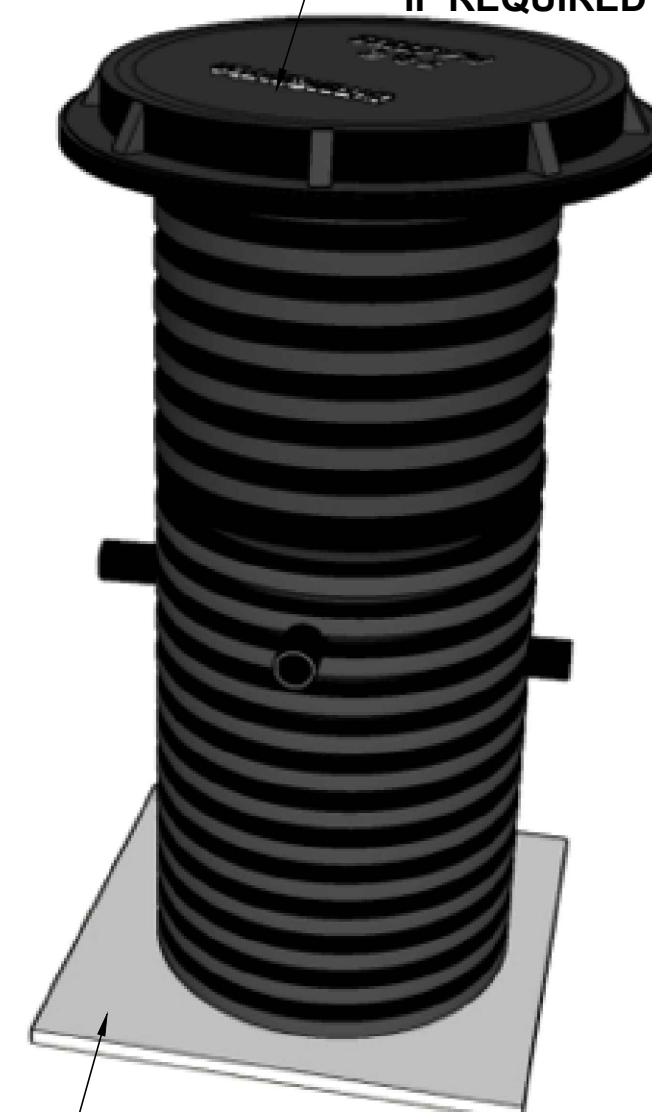
OPTIONS (CIRCLE)	
EXTENSION TO GRADE	_____ (FILL IN HEIGHT REQUIRED FROM BASE TO TOP OF COVER)
STANDARD HD COVER	1" THICK POLYPROPYLENE COVER FOR HEAVY PEDESTRIAN TRAFFIC
VEHICULAR TRAFFIC COVER	TC-H20



STANDARD 1" PEDESTRIAN COVER SHOWN



OPTIONAL H20 TRAFFIC COVER  
22" OD WITH RISER AND 18"  
FIELD ADJUSTABLE EXTENSION  
IF REQUIRED



1" THICK  
SQUARE BASE

TANK GALLON CAPACITY: <b>30</b>	WELDED BY:	UNLESS STATED OTHERWISE DIMENSIONS ARE IN INCHES	MATERIAL: HDPE			TITLE: <b>NTB-30 / HDPE DIRECT BURIAL TANK</b>	NTB SERIES	REV:	 <b>T&amp;C PLASTICS</b> WWW.TANDCPLASTICS.COM 732-780-5300
TANK GALLON CAPACITY WITH LIMESTONE: <b>6</b>	COMPLETED BY:		WEIGHT [lb]: <b>35 LBS.</b>	NAME	DATE	SHEET 1 OF 1	SIZE:		
LIMESTONE REQUIRED: <b>200 LBS.</b>	REVIEWED BY:		DO NOT SCALE DRAWING	CHECKED		SCALE: 1:2			
THE INFORMATION CONTAINED IN THIS DRAWING IS THE SOLE PROPERTY OF TOWN & COUNTRY PLASTICS LLC. ANY REPRODUCTION IN PART OR AS A WHOLE WITHOUT THE WRITTEN PERMISSION OF TOWN & PLASTICS LLC IS PROHIBITED.									